

**Domoplex drain equipment**  
**Instructions for Use**



**Model**  
6928

**Year built:**  
from 06/2015

en\_INT

**viega**



# Table of contents



<b>1</b>	<b>About these instructions for use</b>	<b>4</b>
1.1	Target groups	4
1.2	Labelling of notes	4
1.3	About this translated version	5
<b>2</b>	<b>Product information</b>	<b>6</b>
2.1	Intended use	6
2.1.1	Areas of use	6
2.2	Product description	7
2.2.1	Overview	7
2.2.2	Technical data	7
<b>3</b>	<b>Handling</b>	<b>9</b>
3.1	Assembly information	9
3.1.1	Mounting conditions	9
3.1.2	Installation dimensions	9
3.2	Assembly	9
3.2.1	Mounting the drain	9
3.2.2	Connecting the wastewater system	11
3.2.3	Leakage test	12
3.3	Maintenance	12
3.4	Cleaning the drain	12
3.5	Disposal	15

# 1 About these instructions for use

Trade mark rights exist for this document, further information can be found at [www.viega.com/legal-notices](http://www.viega.com/legal-notices).

## 1.1 Target groups

The information in this instruction manual is directed at the following groups of people:

- heating and sanitary professionals and trained personnel
- operators
- consumers

It is not permitted for individuals without the abovementioned training or qualification to mount, install and, if required, service this product. This restriction does not extend to possible operating instructions.

The installation of Viega products must take place in accordance with the general approved rules of engineering and the Viega instructions for use.

## 1.2 Labelling of notes

Warning and advisory texts are set aside from the remainder of the text and are labelled with the relevant pictographs.

**DANGER!**

This symbol warns against possible life-threatening injury.

**WARNING!**

This symbol warns against possible serious injury.

**CAUTION!**

This symbol warns against possible injury.

**NOTICE!**

This symbol warns against possible damage to property.



*Notes give you additional helpful tips.*

### **1.3 About this translated version**

This instruction for use contains important information about the choice of product or system, assembly and commissioning as well as intended use and, if required, maintenance measures. The information about the products, their properties and application technology are based on the current standards in Europe (e. g. EN) and/or in Germany (e. g. DIN/DVGW).

Some passages in the text may refer to technical codes in Europe/Germany. These should serve as recommendations in the absence of corresponding national regulations. The pertinent national laws, standards, regulations and guidelines, as well as other technical guidelines, have priority over German/European guidelines in this manual: The information is not binding for other countries and territories and should, as mentioned, be considered as support.

## 2 Product information

### 2.1 Intended use

#### 2.1.1 Areas of use



**NOTICE!**

**Risk of damage due to unsuitable liquids.**

To avoid damaging the drain, only introduce the following liquids:

- Liquids with a pH-value higher than 4
- typical household water with a maximum temperature of 95 °C

The Domoplex shower drain is a drain with odour trap for shower trays with 52 mm drain holes.

Detailed information regarding all shower tray models and the corresponding Viega drains can be found in the catalogue or on the Internet.

## 2.2 Product description

### 2.2.1 Overview

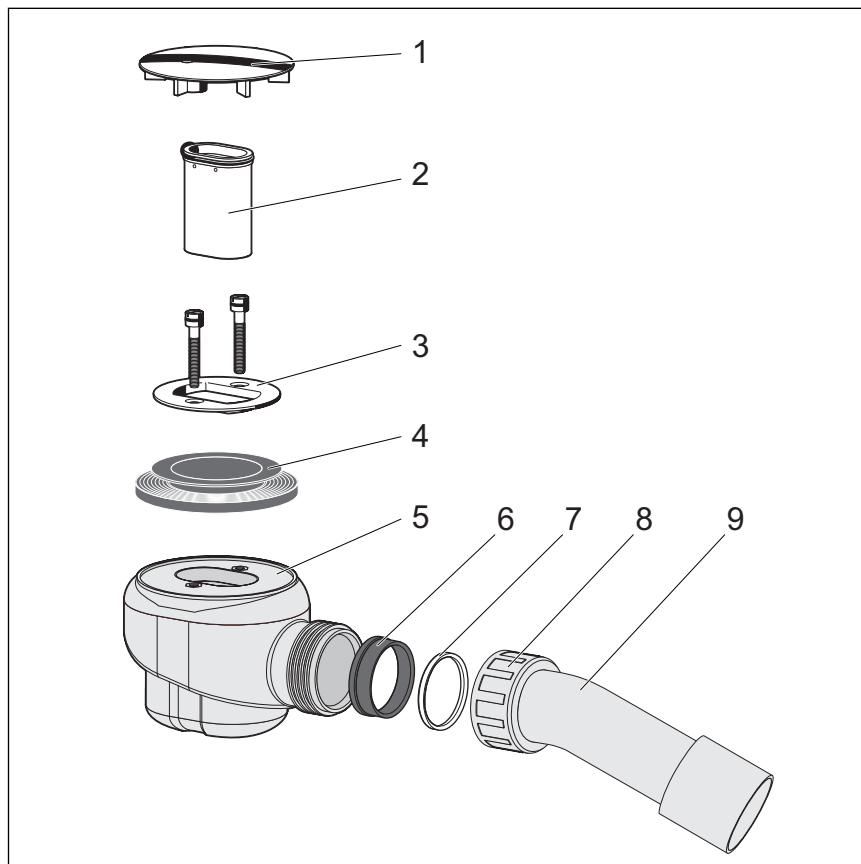


Fig. 1: Components

- 1 - cover plate
- 2 - immersion pipe
- 3 - fixing flange with screws
- 4 - seal
- 5 - odour trap
- 6 - sealing ring
- 7 - sliding ring
- 8 - union nut
- 9 - drain elbow

### 2.2.2 Technical data

Drainage capacity at an accumulation height of 120 mm	0.73 l/s
Diameter drain hole	52 mm
DN (nominal diameter) drain support	40 / 50 mm
Height	80 mm
Dimensions and installation depth	↪ Chapter 3.1.2 „Installation dimensions“ on page 9
Water head seal	50 mm

# 3 Handling

## 3.1 Assembly information

### 3.1.1 Mounting conditions

The following requirements exist for the mounting of the drain:

- The shower tray is installed.
- The drainage line is installed all the way to the shower tray.
- The underside of the shower tray is accessible.
- The drainage capacity is sufficient at an accumulation height of 120 mm.

### 3.1.2 Installation dimensions

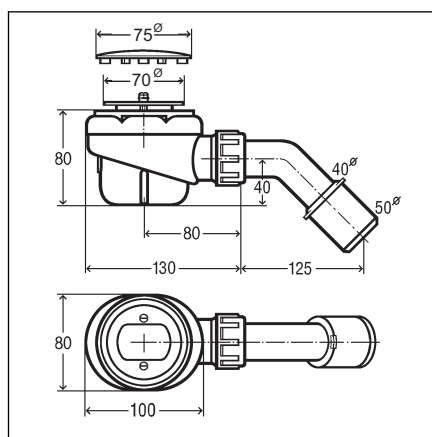


Fig. 2: Dimensional drawing

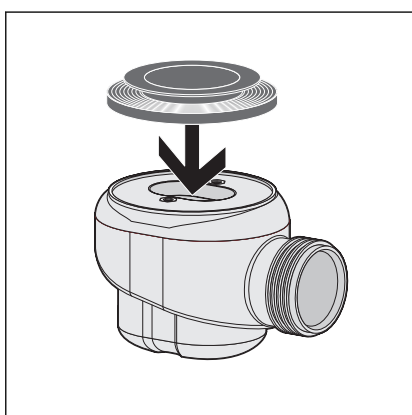
## 3.2 Assembly

### 3.2.1 Mounting the drain

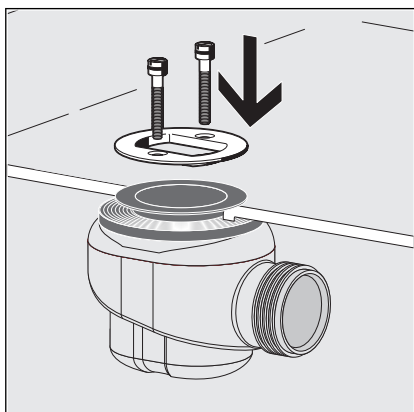
#### Insert seal

Proceed as follows to mount the drain:

- Place the seal on the sealing surface of the drain and push into the holding groove.





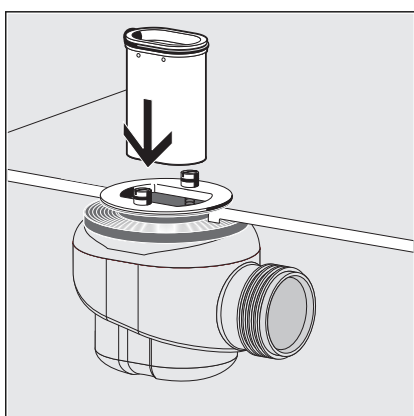


- Position the drain unit with seal under the shower tray.
- Push the upper part of the seal through the drain hole.

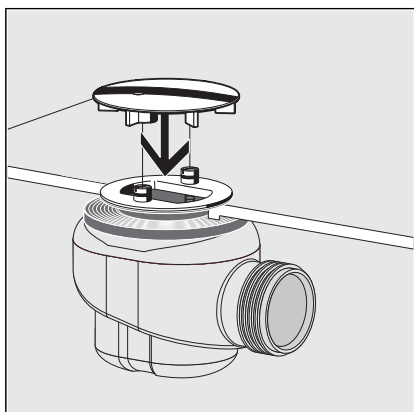
### Secure drain



- Place fixing flange and insert the screws by hand.
- NOTICE! Only use a screwdriver, not a cordless screwdriver.**
- Tighten screws evenly.



- Insert immersion pipe into the odour trap.



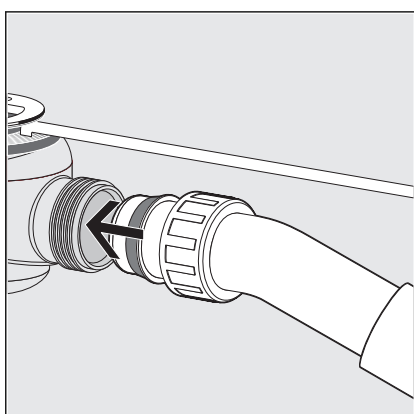
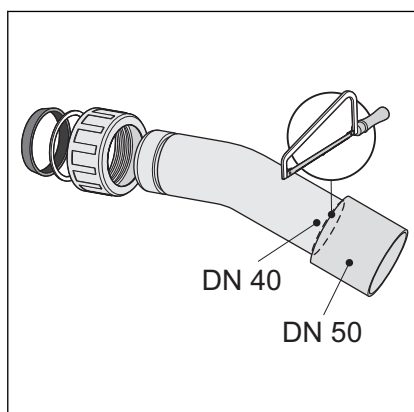
- Press the cover plate onto the two fixing points.

### 3.2.2 Connecting the wastewater system

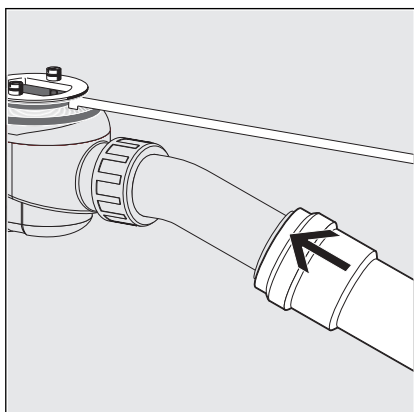
Proceed as follows to connect the drain to the waste water system:

Requirement:

- The drain unit is installed onto the shower tray.
- If the waste water pipe only has a diameter of 40 mm, cut off drain elbow.



- Push the union nut, sliding ring and seal onto the drain pipe.
- Screw the union nut onto the drain unit.



- Align the odour trap in such a way that the drain elbow can be connected to the waste water pipe.
- Push waste water pipe onto the drain elbow.

### 3.2.3 Leakage test

The leakage test is only carried out as a visual inspection.

- Check drain fitting for visible leaks.

## 3.3 Maintenance



#### NOTICE!

#### Risk of damage due to unsuitable cleaning agent.

The following cleaning agents can damage chrome-plated surfaces and therefore may not be used:

- scouring agent
- abrasive sponges
- lime, plaster or cement dissolver
- solvents or other acidic cleaning agents

Normal soap or a mild cleaning agent can be used for regular care and prevention of lime scale on the rotatable rosette and valve cone. Under no circumstances should scouring agent or scratching objects be used.

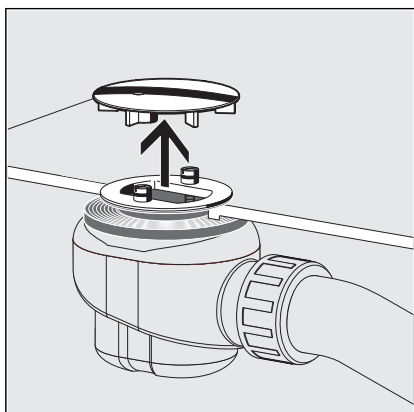
Strong stains, even around the drain unit and the siphon, can be removed using typical household cleaner. It should be noted that the cleaning agent should be rinsed off after the prescribed soaking time. There should be no residue on the components.

## 3.4 Cleaning the drain

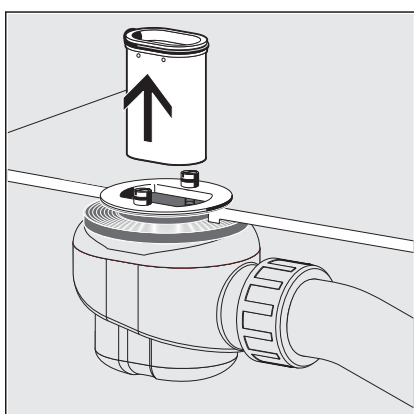


#### NOTICE!

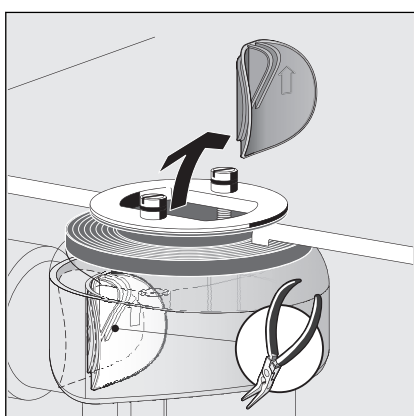
Be careful not to damage the odour trap when cleaning the drain system.



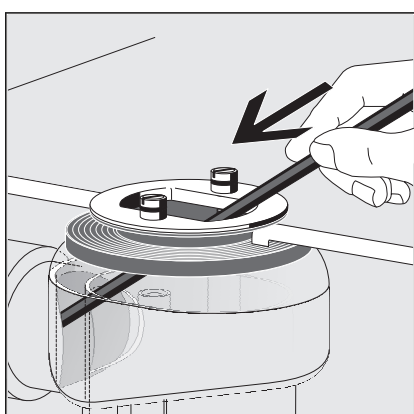
► Remove cover plate.



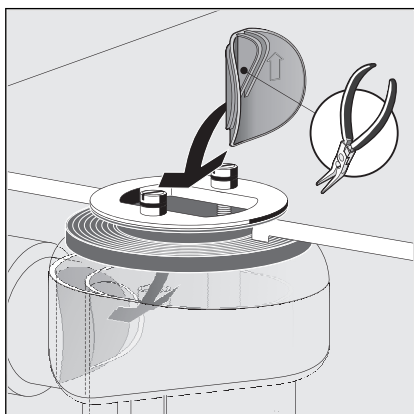
► Remove the immersion pipe upwards.



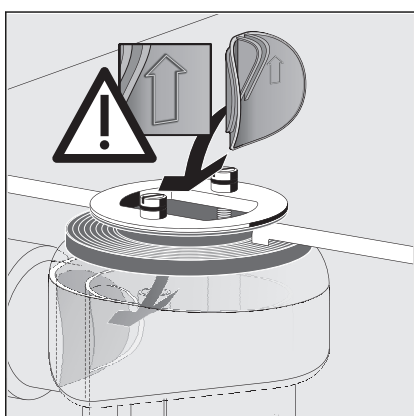
► For free access to the drain pipe:  
Grip the closing plug on the lug with pliers and pull off.



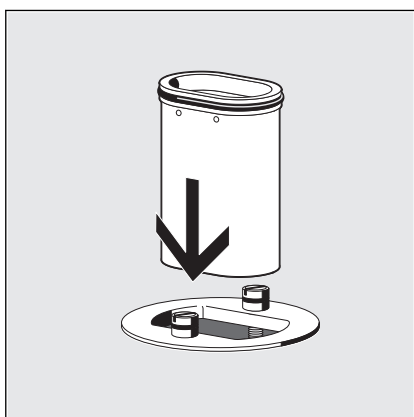
► Clean the drain carefully to avoid damaging the fitting.



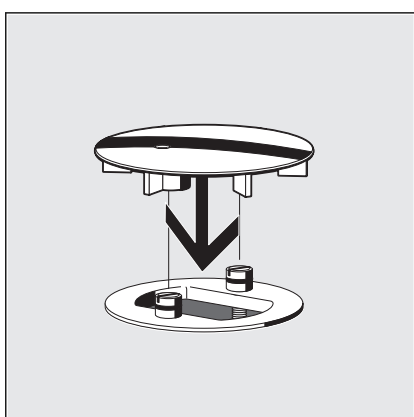
► Insert closing plug flush with the surface.



► Make sure to position the closing plug properly. The lug must be positioned vertically.



► Insert immersion pipe.



► Mount cover plate.

### 3.5 Disposal

Separate the product and packaging materials (e. g. paper, metal, plastic or non-ferrous metals) and dispose of in accordance with valid national legal requirements.