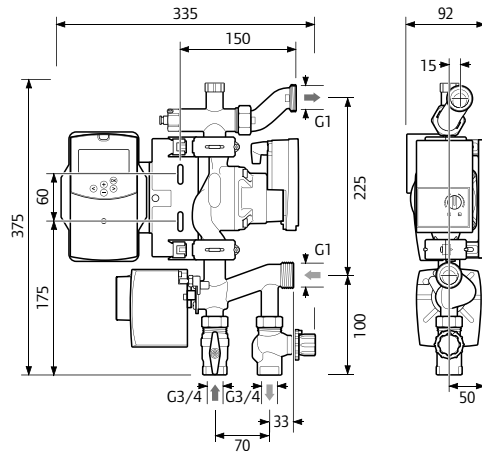


# Uponor Fluvia Move Pumpgroup MPG

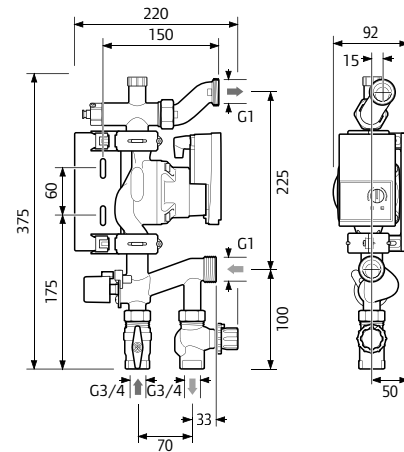
# Uponor



**MPG-10-A**



**MPG-10-B**



$Q_{max} = 10 \text{ kW}$



$\vartheta_{sec} = 15 - 55^\circ\text{C}$



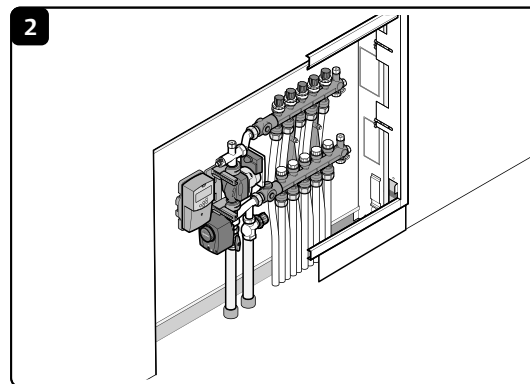
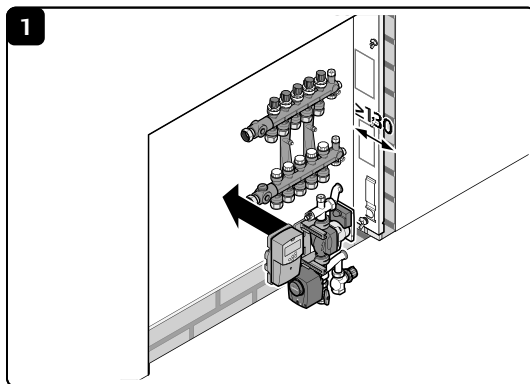
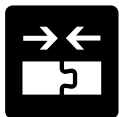
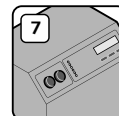
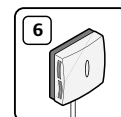
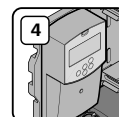
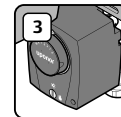
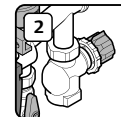
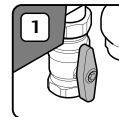
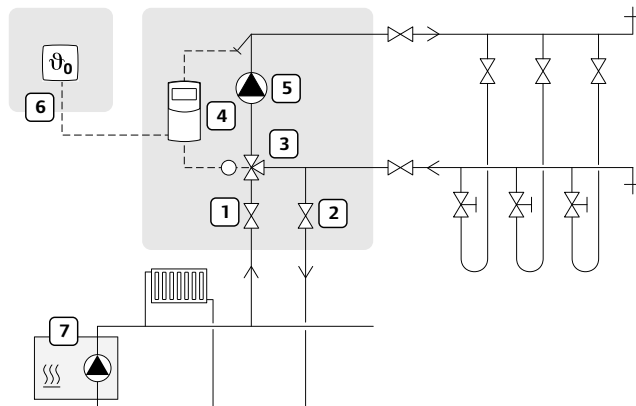
$kvs = 5 \text{ m}^3/\text{h}$

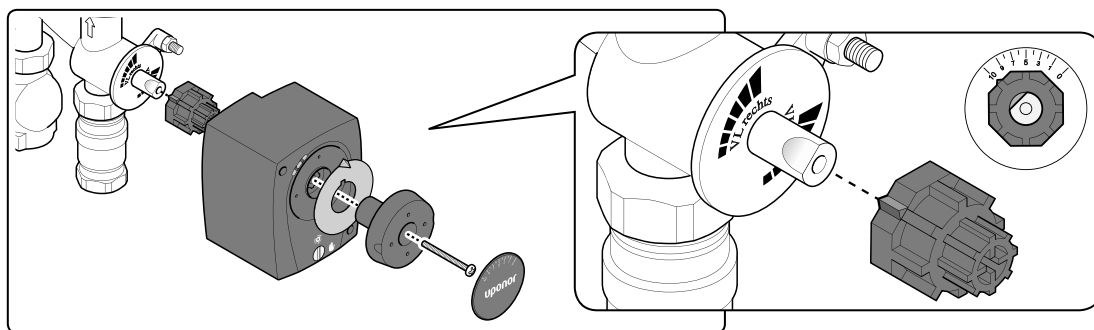
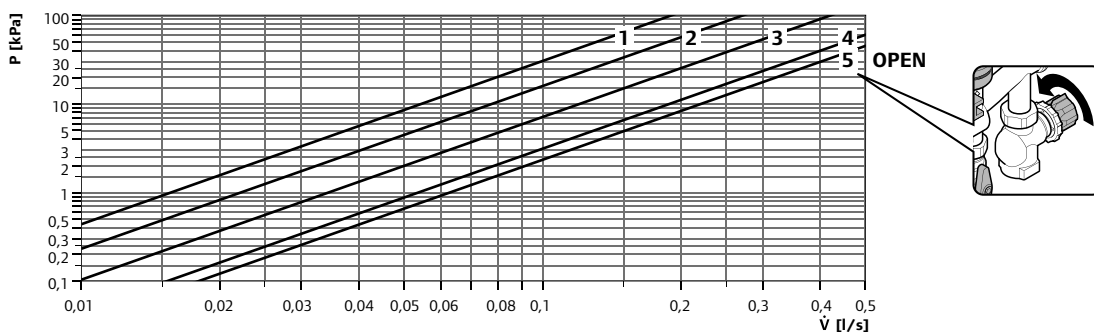
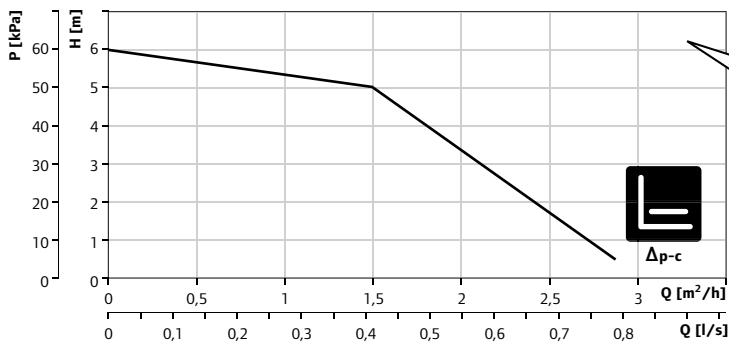
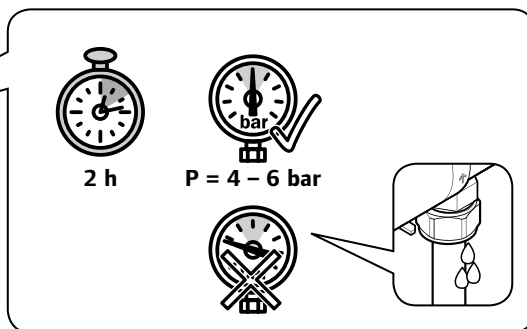
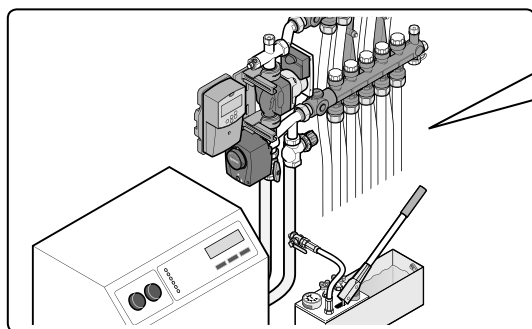


$P_{max} = 6 \text{ bar}$



15 Ltr/h





 **Boiler-Gas.ru**  
Перейти на сайт

**Uponor Corporation**  
[www.uponor.com](http://www.uponor.com)

Uponor reserves the right to make changes, without prior notification, to the specification of incorporated components in line with its policy of continuous improvement and development.

**uponor**