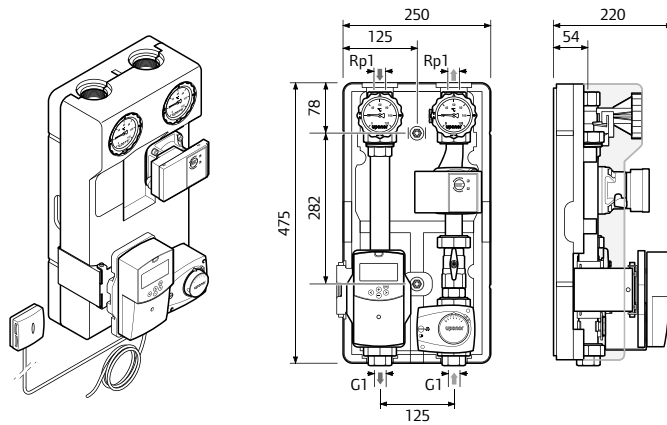


Uponor Fluvia Move Pumpgroup CPG

Uponor



$Q_{max} = 15 \text{ kW}$



$\vartheta_{sec} = 15 - 55^\circ\text{C}$



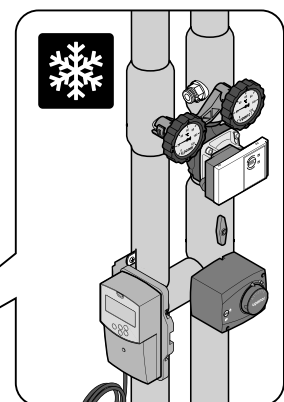
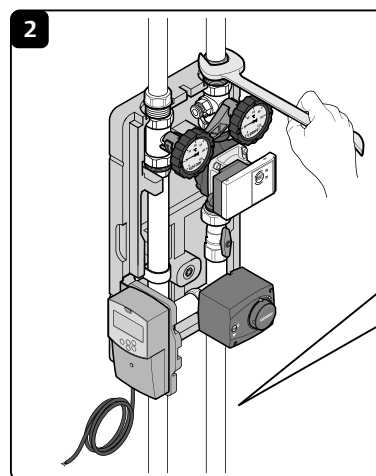
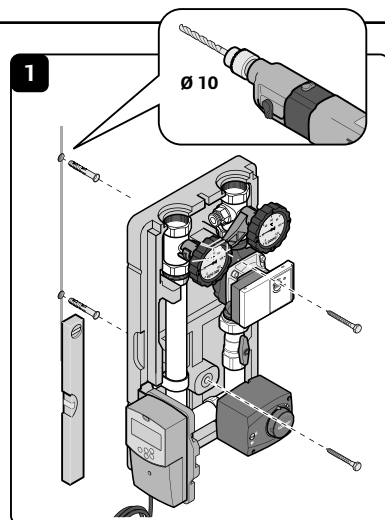
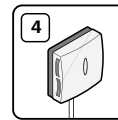
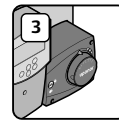
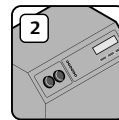
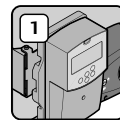
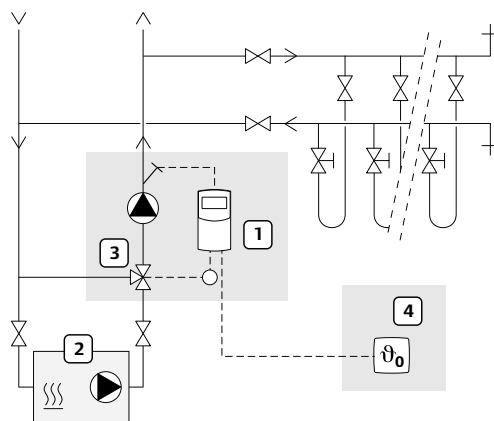
$kvs = 7 \text{ m}^3/\text{h}$

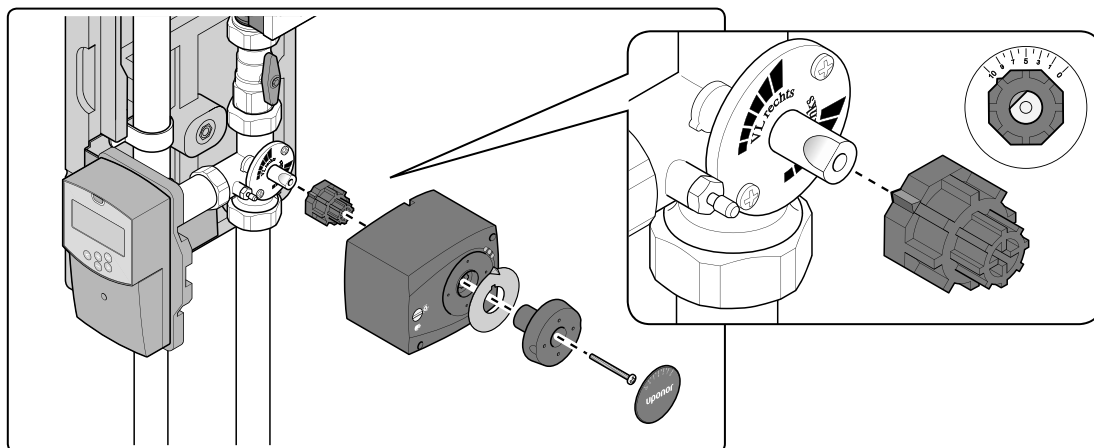
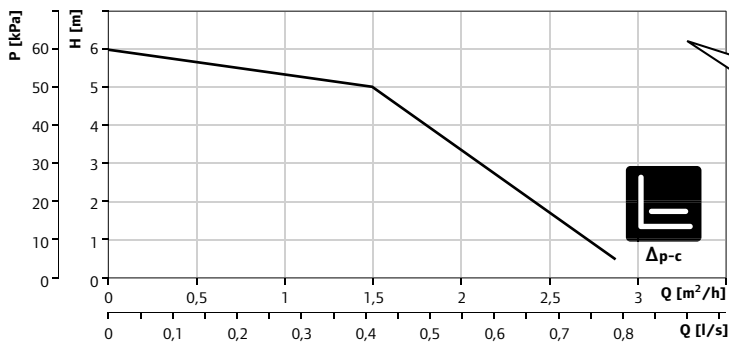
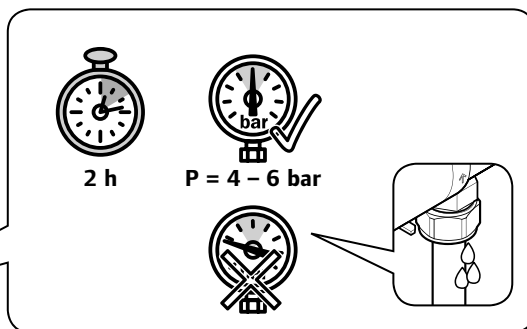
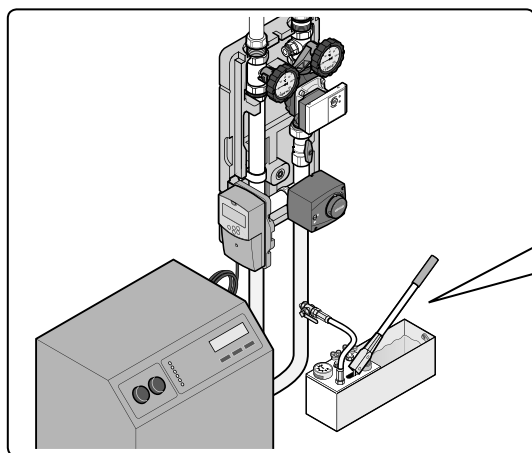


$P_{max} = 6 \text{ bar}$



15 Ltr/h





Uponor Corporation
www.uponor.com

Uponor reserves the right to make changes, without prior notification, to the specification of incorporated components in line with its policy of continuous improvement and development.

uponor