

Job Name: \_\_\_\_\_

Submitted by: \_\_\_\_\_

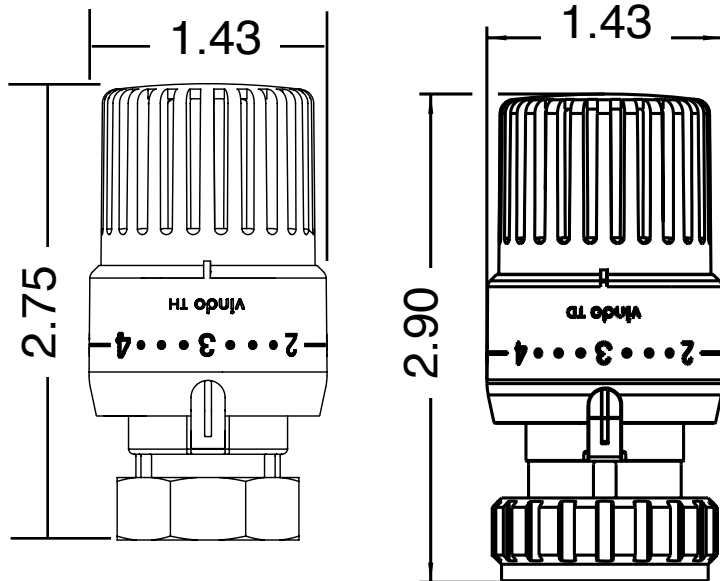
Date: \_\_\_\_\_

Job Location: \_\_\_\_\_

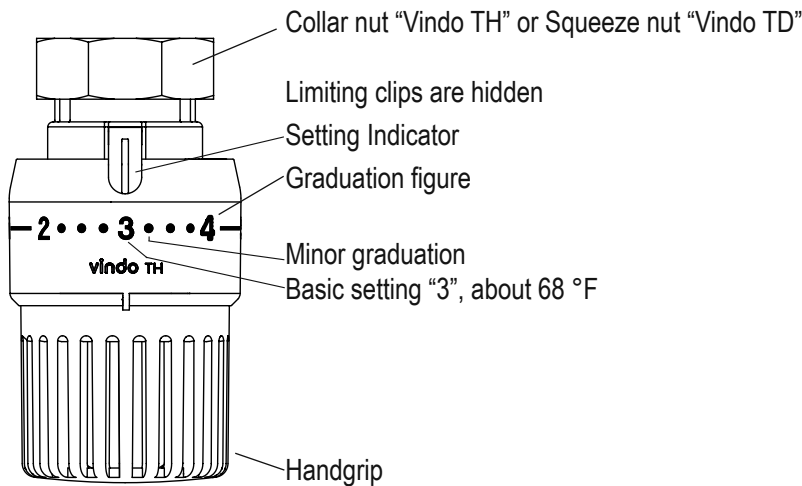
Engineer/Architect: \_\_\_\_\_

Approval: \_\_\_\_\_

Date: \_\_\_\_\_



## Figures and symbols on the thermostat



## Product specification:

Materials:  
Fiber reinforced nylon

Specifications:  
Adjustment range: 45°F - 82°F (7°C - 28°C)  
Settings: 0 \* 1 - 5  
Sensor type: Liquid  
Ambient temperature range: 32°F-122°F  
Maximum fluid temperature: 248°F

Items:  
Vindo TH  
M30x1.5 connection 101 30 66  
Vindo TD  
with squeeze connection 101 30 76

## Temperature Settings

0 = isolation of the radiator

\* = Frost protection symbol (in this position the valve opens automatically when room temperature drops below 7°C or 44°F.)

1 = 12°C or 54°F

2 = 16°C or 61°F

3 = 20°C or 68°F

4 = 24°C or 75°F

5 = 28°C or 82°F

} The minor graduations between the figures 2 – 4 represent a change of room temperature of 1°C or about 2°F.

Oventrop Corporation  
PO Box 789  
East Granby, CT 06026  
Phone:(860)413-9173  
www.oventrop-us.com