

TECHNICAL CATALOGUE

BIBCOCKS



ITAP SpA, founded in Lumezzane (Brescia) in 1972, is currently one of the leading production companies in Italy of valves, fittings and distribution manifolds for plumbing and heating systems. Thanks to fully automated production processes, with 72 tooling machines and 51 assembly lines, we are able to produce 200,000 pieces per day. Our innate pursuit for innovation and observance of technical regulations is supported by the company certification ISO 9001: 2008. The company has always considered its focus on quality as the main tool to obtain significant business results: today ITAP SpA is proud to offer products bearing the approval of numerous international certifying bodies.





BIBCOCKS



Boiler-Gas.ru
Перейти на сайт

BIBCOCKS

132

BALL HOSE BIBCOCK

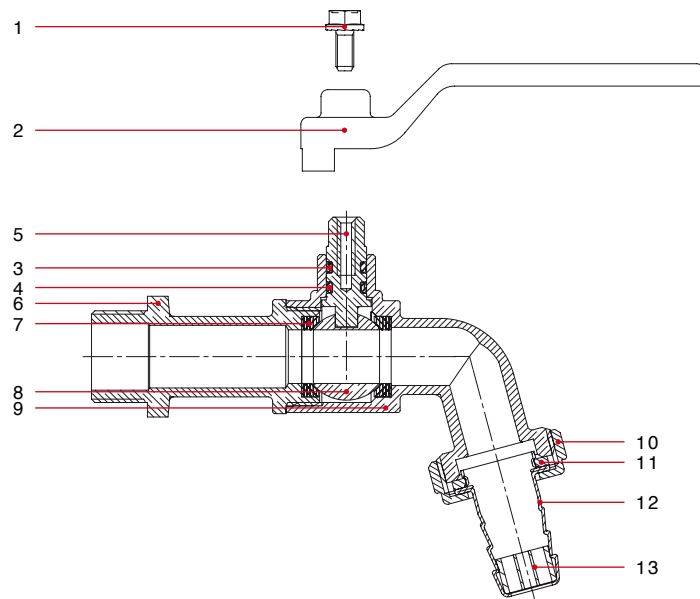


SIZE	PRESSURE	CODE	PACKING
3/8" (DN 10)	15bar/217,5psi	1320038	10/120
1/2" (DN 15)	15bar/217,5psi	1320012	10/120
3/4" (DN 20)	15bar/217,5psi	1320034	6/72
1" (DN 25)	12bar/174psi	1320100	6/42

TECHNICAL SPECIFICATIONS

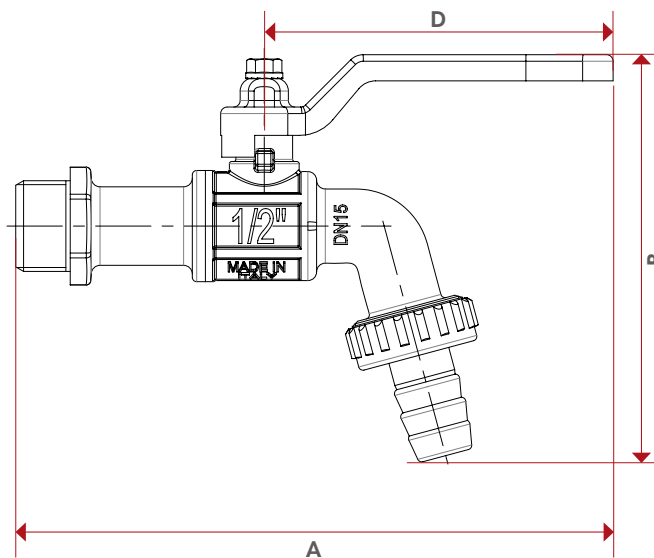
Heavy models.
 Body in nickel-plated brass.
 Hose connection in brass.
 Lever handle in steel.
 Minimum and maximum working temperatures: -20°C, 80°C.
 Threads: ISO228
 (equivalent to DIN EN ISO 228 and BS EN ISO 228).
Available sizes: 3/8"x3/4", 1/2"x3/4", 3/4"x1", 1"x1"1/4

MATERIALS



POS.	DESCRIPTION	N.	MATERIAL
1	Screw	1	Zinc-plated steel Fe CB4
2	Lever handle	1	Zinc-plated and varnished steel Fe.P04
3	O-Ring	1	VITON®
4	O-Ring	1	NBR
5	Stem	1	Brass CW614N
6	End adapter	1	Nickel-plated brass CW617N
7	Seat	2	P.T.F.E.
8	Ball	1	Chrome-plated brass CW614N
9	Body	1	Nickel-plated brass CW617N
10	Nut	1	Nickel-plated brass
11	Washer	1	Elastomer
12	Hose connection	1	Nickel-plated brass
13	Hose end	1	Polymer

OVERALL DIMENSIONS



	3/8"	1/2"	3/4"	1"
DN	10	15	20	25
A	135	137	148,5	158
B	93	93	108,5	126
D	80	80	88,5	88,5
Kg/cm ² bar	15	15	15	12
LBS - psi	217,5	217,5	217,5	174

CERTIFICATIONS



133

BALL HOSE BIBCOCK

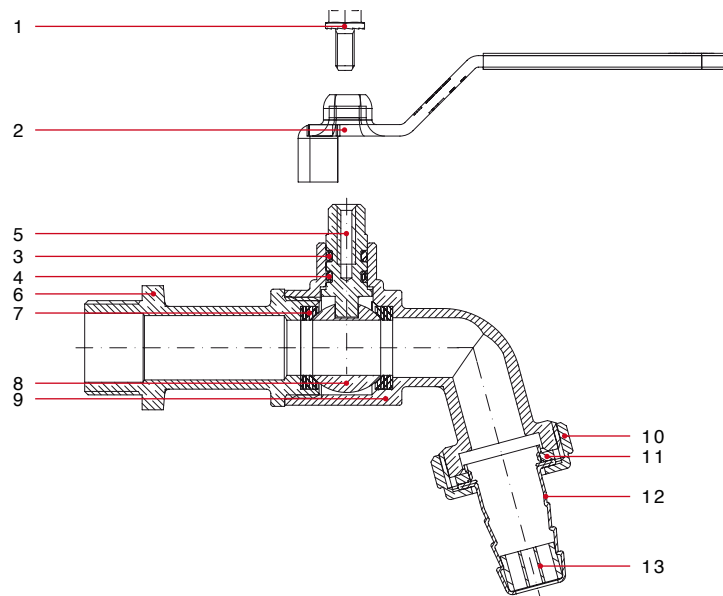


SIZE	PRESSURE	CODE	PACKING
1/2" (DN 15)	15bar/217,5psi	1330012	10/120
3/4" (DN 20)	15bar/217,5psi	1330034	6/72
1" (DN 25)	12bar/174psi	1330100	6/42

TECHNICAL SPECIFICATIONS

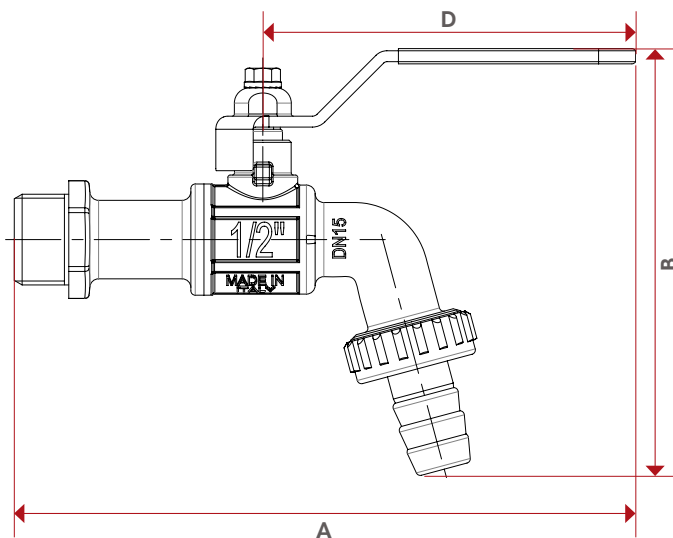
Heavy models.
 Body in nickel-plated brass.
 Hose connection in brass.
 Flat lever handle in lined steel.
 Minimum and maximum working temperatures: -20°C, 80°C.
 Threads: ISO228
 (equivalent to DIN EN ISO 228 and BS EN ISO 228).
Available sizes: 1/2"x3/4", 3/4"x1", 1"x1"1/4

MATERIALS



POS.	DESCRIPTION	N.	MATERIAL
1	Screw	1	Zinc-plated steel Fe CB4
2	Flat lever handle	1	Zinc-plated and plastic coated steel Fe.P04
3	O-Ring	1	VITON®
4	O-Ring	1	NBR
5	Stem	1	Brass CW614N
6	End adapter	1	Nickel-plated brass CW617N
7	Seat	2	P.T.F.E.
8	Ball	1	Chrome-plated brass CW614N
9	Body	1	Nickel-plated brass CW617N
10	Nut	1	Nickel-plated brass
11	Washer	1	Elastomer
12	Hose connection	1	Nickel-plated brass
13	Hose end	1	Polymer

OVERALL DIMENSIONS



	1/2"	3/4"	1"
DN	15	20	25
A	142,5	152,5	162,2
B	98	110	128
D	85,5	92,5	92,5
Kg/cm ² bar	15	15	12
LBS - psi	217,5	217,5	174

CERTIFICATIONS



134

BALL HOSE BIBCOCK

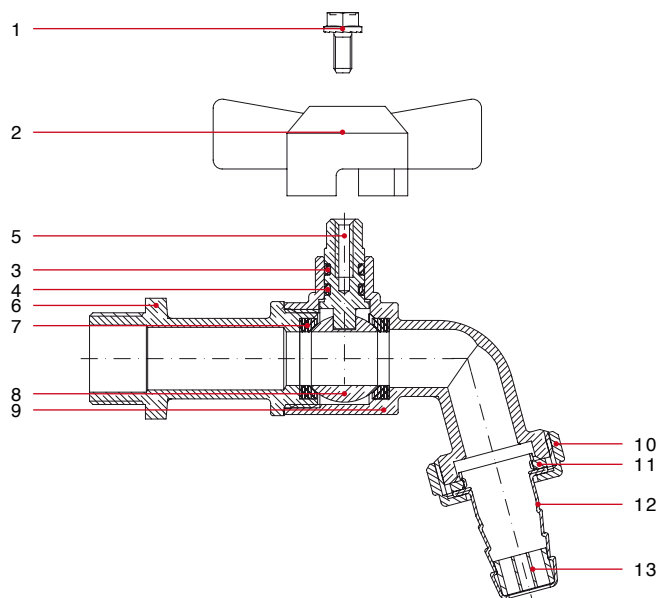


SIZE	PRESSURE	CODE	PACKING
3/8" (DN 10)	15bar/217,5psi	1340038	10/130
1/2" (DN 15)	15bar/217,5psi	1340012	10/130
3/4" (DN 20)	15bar/217,5psi	1340034	6/78
1" (DN 25)	12bar/174psi	1340100	6/42

TECHNICAL SPECIFICATIONS

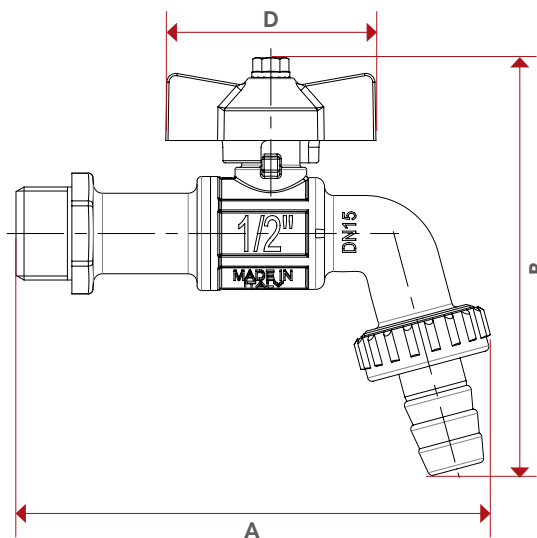
Heavy models.
 Body in nickel-plated brass.
 Hose connection in brass.
 T handle in aluminium.
 Minimum and maximum working temperatures: -20°C, 80°C.
 Threads: ISO228
 (equivalent to DIN EN ISO 228 and BS EN ISO 228).
Available sizes: 3/8"x3/4", 1/2"x3/4", 3/4"x1", 1"x1"1/4

MATERIALS



POS.	DESCRIPTION	N.	MATERIAL
1	Screw	1	Zinc-plated steel Fe CB4
2	T handle	1	Varnished aluminium UNI 5076
3	O-Ring	1	VITON®
4	O-Ring	1	NBR
5	Stem	1	Brass CW614N
6	End adapter	1	Nickel-plated brass CW617N
7	Seat	2	P.T.F.E.
8	Ball	1	Chrome-plated brass CW614N
9	Body	1	Nickel-plated brass CW617N
10	Nut	1	Nickel-plated brass
11	Washer	1	Elastomer
12	Hose connection	1	Nickel-plated brass
13	Hose end	1	Polymer

OVERALL DIMENSIONS



	3/8"	1/2"	3/4"	1"
DN	10	15	20	25
A	104	106	117,5	138
B	93	93	103,5	121
D	47	47	54	62
Kg/cm ² bar	15	15	15	12
LBS - psi	217,5	217,5	217,5	174

CERTIFICATIONS



166

GAR BALL HOSE BIBCOCK



SIZE	PRESSURE	CODE	PACKING
1/2" (DN 15)	15bar/217,5psi	1660012	15/135
3/4" (DN 20)	15bar/217,5psi	1660034	10/90

TECHNICAL SPECIFICATIONS

Body in nickel-plated brass.

Hose connection in brass.

Lever handle in steel.

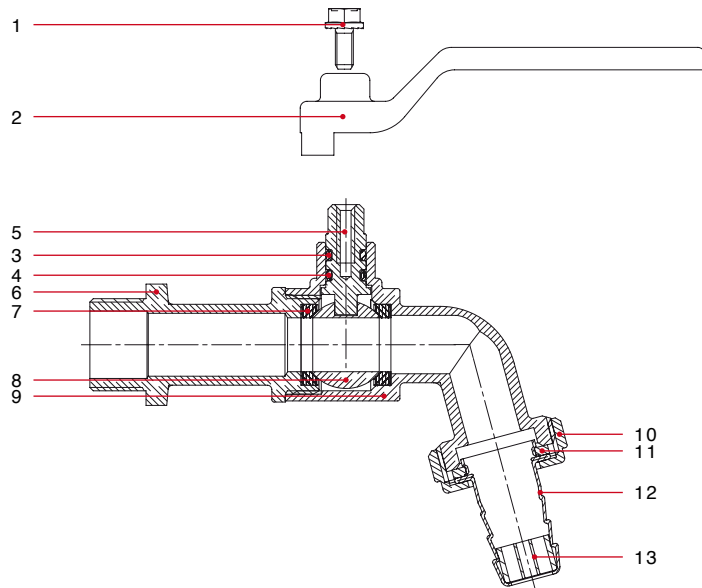
Minimum and maximum working temperatures: -20°C, 80°C.

Threads: ISO228

(equivalent to DIN EN ISO 228 and BS EN ISO 228).

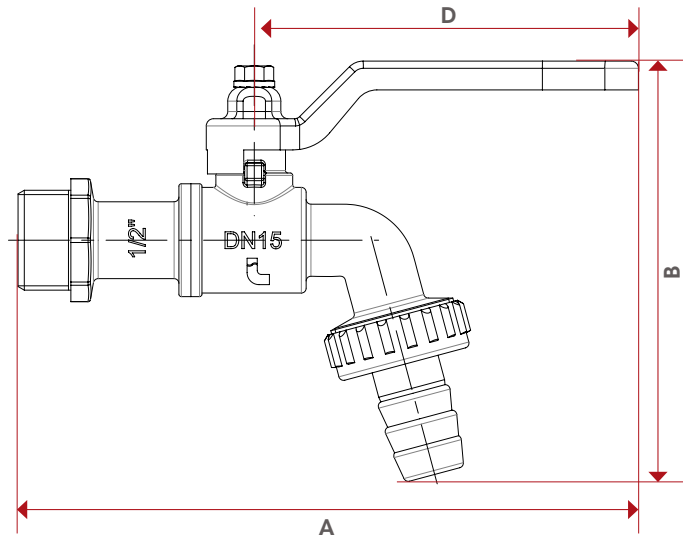
Available sizes: 1/2"x3/4", 3/4"x1"

MATERIALS



POS.	DESCRIPTION	N.	MATERIAL
1	Screw	1	Zinc-plated steel Fe CB4
2	Lever handle	1	Zinc-plated and varnished steel Fe.P04
3	O-Ring	1	VITON®
4	O-Ring	1	NBR
5	Stem	1	Brass CW614N
6	End adapter	1	Nickel-plated brass CW617N
7	Seat	2	P.T.F.E.
8	Ball	1	Chrome-plated brass CW614N
9	Body	1	Nickel-plated brass CW617N
10	Nut	1	Nickel-plated brass
11	Washer	1	Elastomer
12	Hose connection	1	Nickel-plated brass
13	Hose end	1	Polymer

OVERALL DIMENSIONS



	1/2"	3/4"
DN	15	20
A	129	131,5
B	87,5	97
D	80	80
Kg/cm ² bar	15	15
LBS - psi	217,5	217,5

CERTIFICATIONS



167

GAR BALL HOSE BIBCOCK



SIZE	PRESSURE	CODE	PACKING
1/2" (DN 15)	15bar/217,5psi	1670012	15/105
3/4" (DN 20)	15bar/217,5psi	1670034	10/90

TECHNICAL SPECIFICATIONS

Body in nickel-plated brass.

Hose connection in brass.

Flat lever handle in lined steel.

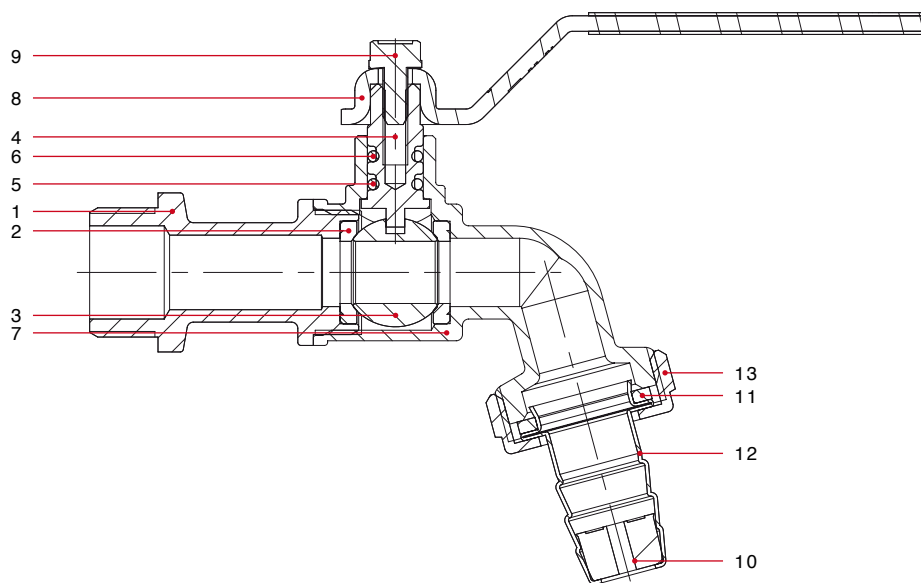
Minimum and maximum working temperatures: -20°C, 80°C.

Threads: ISO228

(equivalent to DIN EN ISO 228 and BS EN ISO 228).

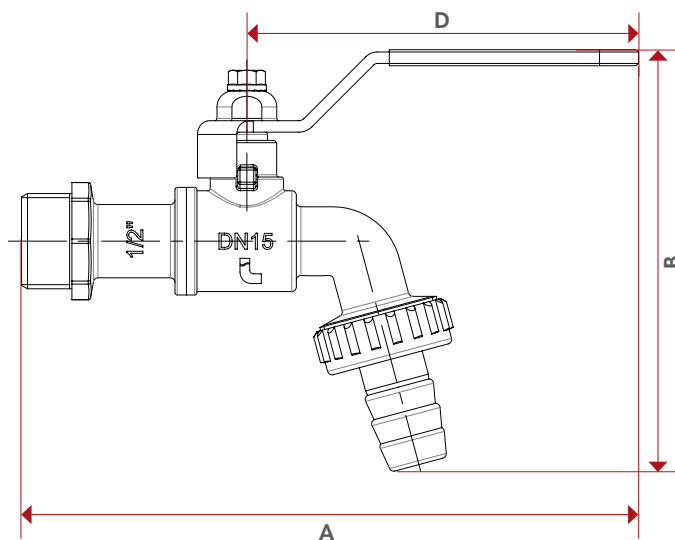
Available sizes: 1/2"x3/4", 3/4"x1"

MATERIALS



POS.	DESCRIPTION	N.	MATERIAL
1	End adapter	1	Nickel-plated brass CW617N
2	Seat	2	P.T.F.E.
3	Ball	1	Chrome-plated brass CW614N
4	Stem	1	Brass CW614N
5	O-Ring	1	NBR
6	O-Ring	1	VITON®
7	Body	1	Nickel-plated brass CW617N
8	Flat lever handle	1	Zinc-plated and plastic coated steel Fe.P04
9	Screw	1	Zinc-plated steel Fe CB4
10	Hose end	1	Polymer
11	Washer	1	Elastomer
12	Hose connection	1	Nickel-plated brass
13	Nut	1	Nickel-plated brass

OVERALL
DIMENSIONS



	1/2"	3/4"
DN	15	20
A	134,7	137
B	92	101,6
D	85,5	85,5
Kg/cm ² bar	15	15
LBS - psi	217,5	217,5

CERTIFICATIONS



168

GAR BALL HOSE BIBCOCK



SIZE	PRESSURE	CODE	PACKING
1/2" (DN 15)	15bar/217,5psi	1680012	15/120
3/4" (DN 20)	15bar/217,5psi	1680034	10/90

TECHNICAL SPECIFICATIONS

Body in nickel-plated brass.

Hose connection in brass.

T handle in aluminium.

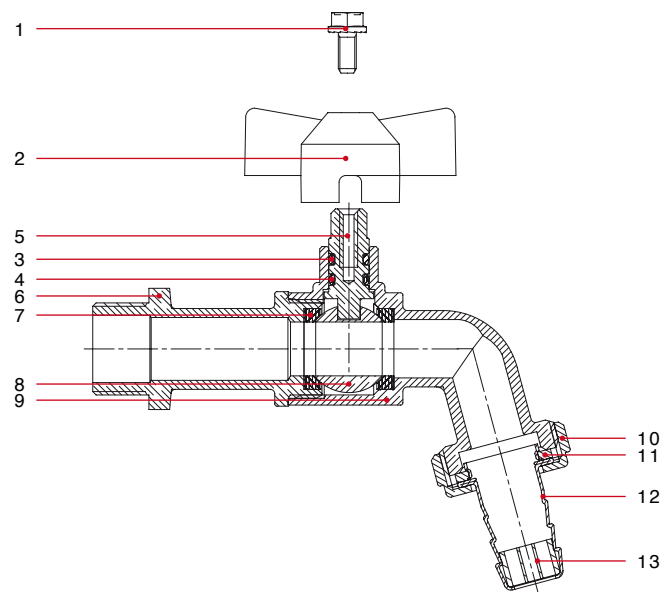
Minimum and maximum working temperatures: -20°C, 80°C.

Threads: ISO228

(equivalent to DIN EN ISO 228 and BS EN ISO 228).

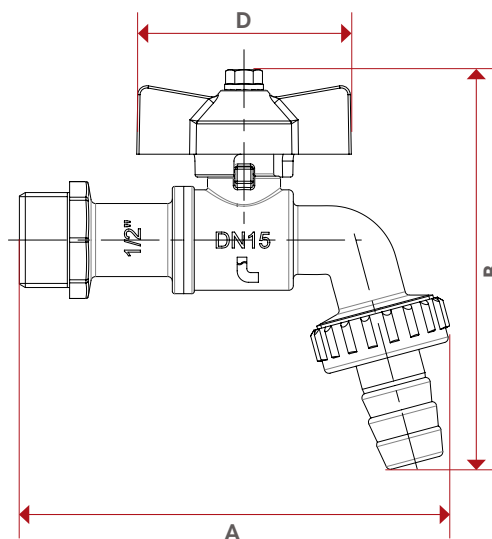
Available sizes: 1/2"x3/4", 3/4"x1"

MATERIALS



POS.	DESCRIPTION	N.	MATERIAL
1	Screw	1	Zinc-plated steel Fe CB4
2	T handle	1	Varnished aluminium
3	O-Ring	1	VITON®
4	O-Ring	1	NBR
5	Stem	1	Brass CW614N
6	End adapter	1	Nickel-plated brass CW617N
7	Seat	2	P.T.F.E.
8	Ball	1	Chrome-plated brass CW614N
9	Body	1	Nickel-plated brass CW617N
10	Nut	1	Nickel-plated brass
11	Washer	1	Elastomer
12	Hose connection	1	Nickel-plated brass
13	Hose end	1	Polymer

OVERALL DIMENSIONS



	1/2"	3/4"
DN	15	20
A	94	103,5
B	87,5	97
D	47	47
Kg/cm ² bar	15	15
LBS - psi	217,5	217,5

CERTIFICATIONS



174

GAR BALL HOSE BIBCOCK



SIZE	PRESSURE	CODE	PACKING
1/2" (DN 15)	15bar/217,5psi	1740012	15/135
3/4" (DN 20)	15bar/217,5psi	1740034	10/90

TECHNICAL SPECIFICATIONS

Body in nickel-plated brass.

Hose connection in nylon.

Lever handle in steel.

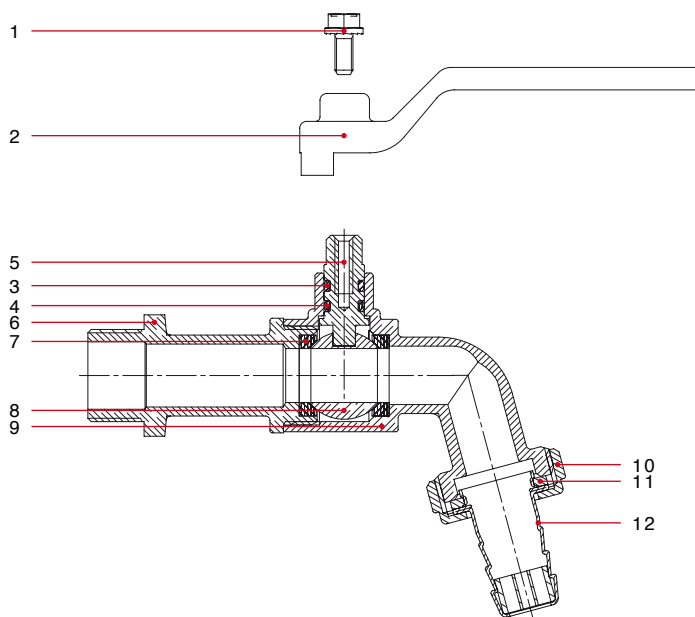
Minimum and maximum working temperatures: -20°C, 80°C.

Threads: ISO228

(equivalent to DIN EN ISO 228 and BS EN ISO 228).

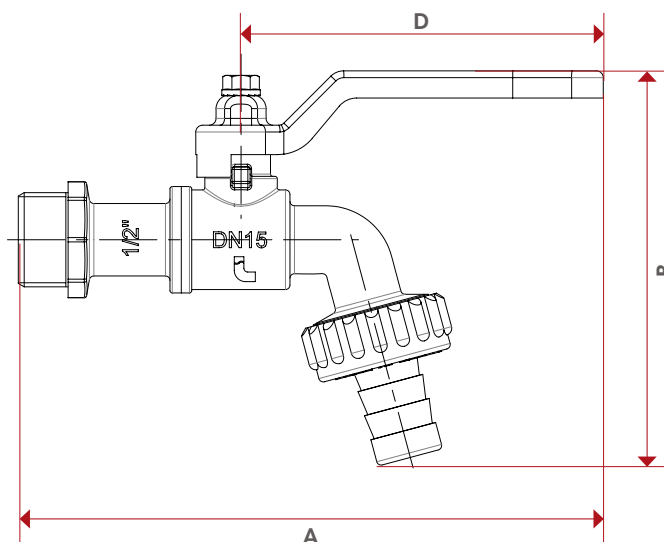
Available sizes: 1/2"x3/4", 3/4"x1"

MATERIALS



POS.	DESCRIPTION	N.	MATERIAL
1	Screw	1	Zinc-plated steel Fe CB4
2	Lever handle	1	Zinc-plated and varnished steel Fe.P04
3	O-Ring	1	VITON®
4	O-Ring	1	NBR
5	Stem	1	Brass CW614N
6	End adapter	1	Nickel-plated brass CW617N
7	Seat	2	P.T.F.E.
8	Ball	1	Chrome-plated brass CW614N
9	Body	1	Nickel-plated brass CW617N
10	Nut	1	Nylon
11	Washer	1	PVC
12	Hose connection	1	Vestolen

OVERALL DIMENSIONS



	1/2"	3/4"
DN	15	20
A	129	131,5
B	87	98
D	80	80
Kg/cm ² bar	15	15
LBS - psi	217,5	217,5

CERTIFICATIONS



176

GAR BALL HOSE BIBCOCK



SIZE	PRESSURE	CODE	PACKING
1/2" (DN 15)	15bar/217,5psi	1760012	15/120
3/4" (DN 20)	15bar/217,5psi	1760034	10/90

TECHNICAL SPECIFICATIONS

Body in nickel-plated brass.

Hose connection in nylon.

T handle in aluminium.

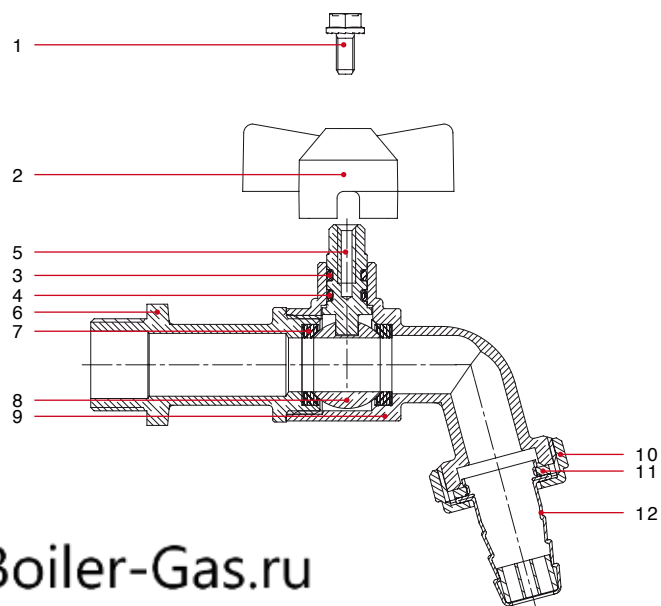
Minimum and maximum working temperatures: -20°C, 80°C.

Threads: ISO228

(equivalent to DIN EN ISO 228 and BS EN ISO 228).

Available sizes: 1/2"x3/4", 3/4"x1"

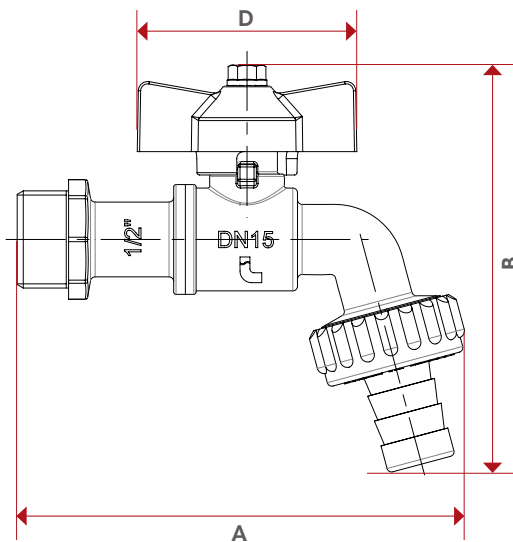
MATERIALS



POS.	DESCRIPTION	N.	MATERIAL
1	Screw	1	Zinc-plated steel Fe CB4
2	T handle	1	Varnished aluminium
3	O-Ring	1	VITON®
4	O-Ring	1	NBR
5	Stem	1	Brass CW614N
6	End adapter	1	Nickel-plated brass CW617N
7	Seat	2	P.T.F.E.
8	Ball	1	Chrome-plated brass CW614N
9	Body	1	Nickel-plated brass CW617N
10	Nut	1	Nylon
11	Washer	1	PVC
12	Hose connection	1	Vestolen



OVERALL DIMENSIONS



	1/2"	3/4"
DN	15	20
A	96	105
B	87	98
D	47	47
Kg/cm ² bar	15	15
LBS - psi	217,5	217,5

CERTIFICATIONS



178

GAR BALL HOSE BIBCOCK



SIZE	PRESSURE	CODE	PACKING
1/2" (DN 15)	15bar/217,5psi	1780012	20/120
3/4" (DN 20)	15bar/217,5psi	1780034	12/144

TECHNICAL SPECIFICATIONS

Body in nickel-plated brass.

Supplied without hose connection.

Lever handle in steel.

Minimum and maximum working temperatures: -20°C, 80°C.

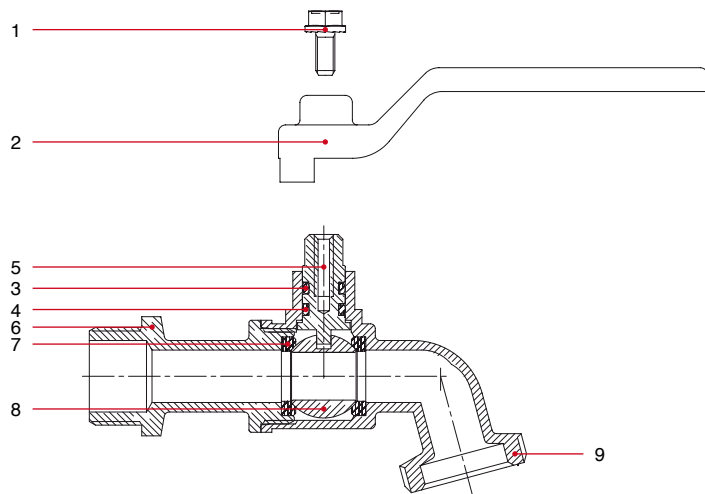
Thread ISO228

(equivalent to DIN EN ISO 228 and BS EN ISO 228).

Available sizes: 1/2"x3/4", 3/4"x3/4"

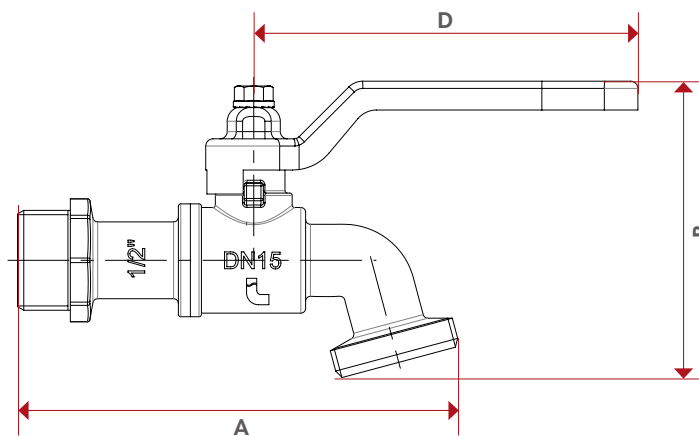
Available also with NPT thread in the size 1/2".

MATERIALS



POS.	DESCRIPTION	N.	MATERIAL
1	Screw	1	Zinc-plated steel Fe CB4
2	Lever handle	1	Zinc-plated and varnished steel Fe.P04
3	O-Ring	1	VITON®
4	O-Ring	1	NBR
5	Stem	1	Brass CW614N
6	End adapter	1	Nickel-plated brass CW617N
7	Seat	2	P.T.F.E.
8	Ball	1	Chrome-plated brass CW614N
9	Body	1	Nickel-plated brass CW617N

OVERALL DIMENSIONS



	1/2"	3/4"
DN	15	20
A	129	129
B	62	62
D	80	80
Kg/cm ² bar	15	15
LBS - psi	217,5	217,5

CERTIFICATIONS



180

GAR BALL HOSE BIBCOCK

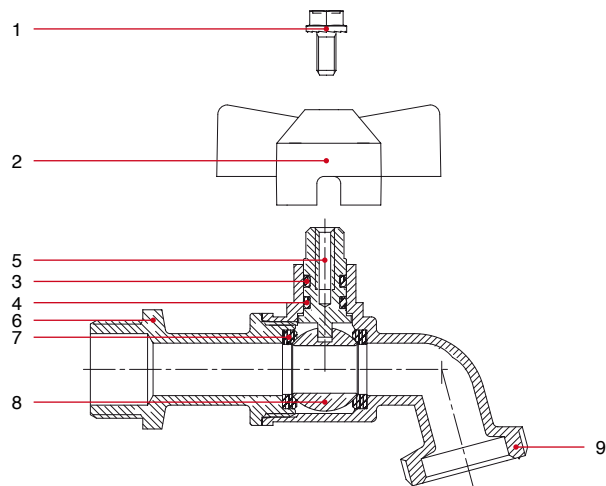


SIZE	PRESSURE	CODE	PACKING
1/2" (DN 15)	15bar/217,5psi	1800012	20/160

TECHNICAL SPECIFICATIONS

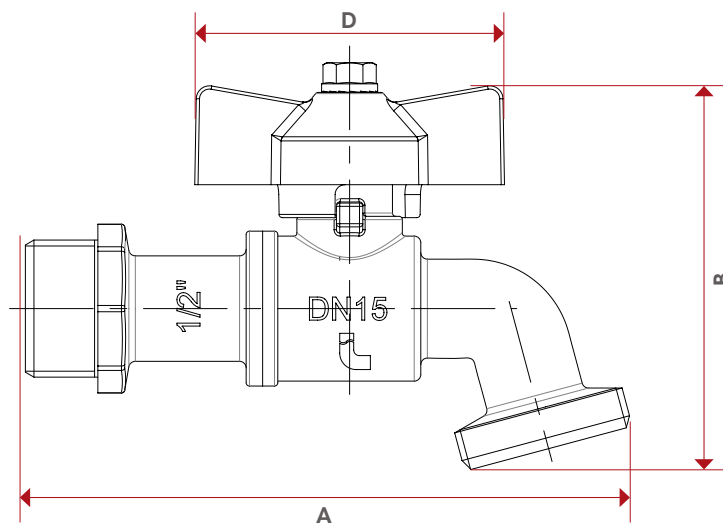
Body in nickel-plated brass.
 Supplied without hose connection.
 T handle in aluminium.
 Minimum and maximum working temperatures: -20°C, 80°C.
 Thread ISO228
 (equivalent to DIN EN ISO 228 and BS EN ISO 228).
Available sizes: 1/2"x3/4"
Available also with NPT thread in the size 1/2".

MATERIALS



POS.	DESCRIPTION	N.	MATERIAL
1	Screw	1	Zinc-plated steel Fe CB4
2	T handle	1	Varnished aluminium
3	O-Ring	1	VITON®
4	O-Ring	1	NBR
5	Stem	1	Brass CW614N
6	End adapter	1	Nickel-plated brass CW617N
7	Seat	2	P.T.F.E.
8	Ball	1	Chrome-plated brass CW614N
9	Body	1	Nickel-plated brass CW617N

OVERALL
DIMENSIONS



	1/2"
DN	15
A	92
B	62
D	47
Kg/cm ² bar	15
LBS - psi	217,5

CERTIFICATIONS



170

GAR BALL BIBCOCK



SIZE	PRESSURE	CODE	PACKING
1/2" (DN 15)	15bar/217,5psi	1700012	15/120
3/4" (DN 20)	15bar/217,5psi	1700034	10/130

TECHNICAL SPECIFICATIONS

Body in nickel-plated brass.

Supplied without hose connection.

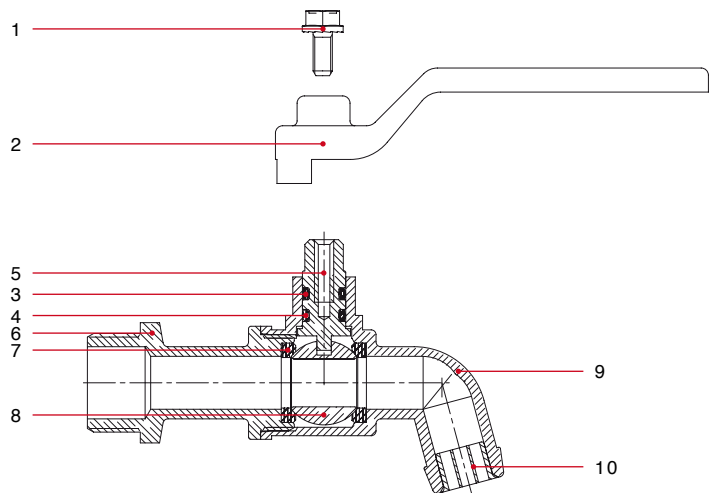
Lever handle in steel.

Minimum and maximum working temperatures: -20°C, 80°C.

Thread ISO228

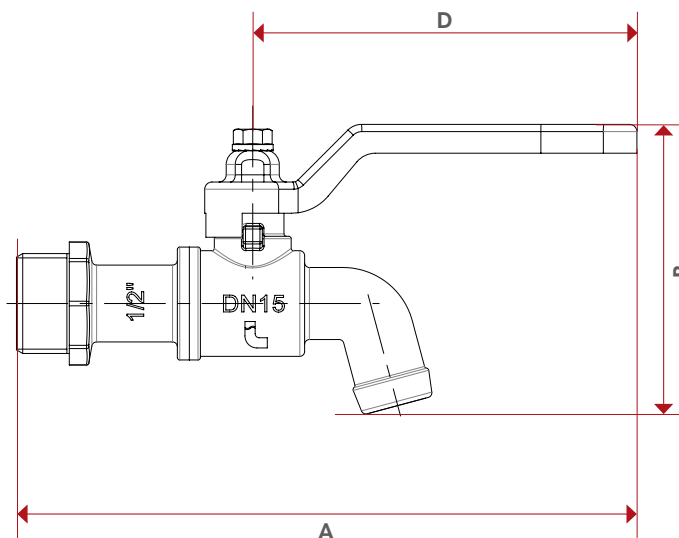
(equivalent to DIN EN ISO 228 and BS EN ISO 228).

MATERIALS



POS.	DESCRIPTION	N.	MATERIAL
1	Screw	1	Zinc-plated steel Fe CB4
2	Lever handle	1	Zinc-plated and varnished steel Fe.P04
3	O-Ring	1	VITON®
4	O-Ring	1	NBR
5	Stem	1	Brass CW614N
6	End adapter	1	Nickel-plated brass CW617N
7	Seat	2	P.T.F.E.
8	Ball	1	Chrome-plated brass CW614N
9	Body	1	Nickel-plated brass CW617N
10	Hose end	1	Vestolen

OVERALL DIMENSIONS



	1/2"	3/4"
DN	15	20
A	129	131,5
B	60	65,5
D	80	80
Kg/cm ² bar	15	15
LBS - psi	217,5	217,5

CERTIFICATIONS



172

GAR BALL BIBCOCK

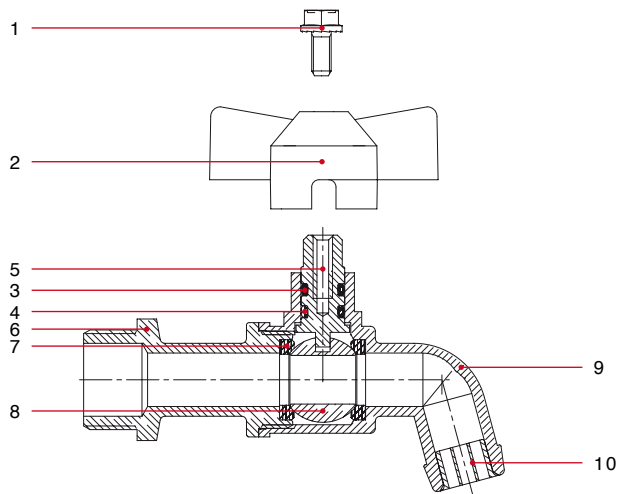


SIZE	PRESSURE	CODE	PACKING
1/2" (DN 15)	15bar/217,5psi	1720012	15/120
3/4" (DN 20)	15bar/217,5psi	1720034	10/130

TECHNICAL SPECIFICATIONS

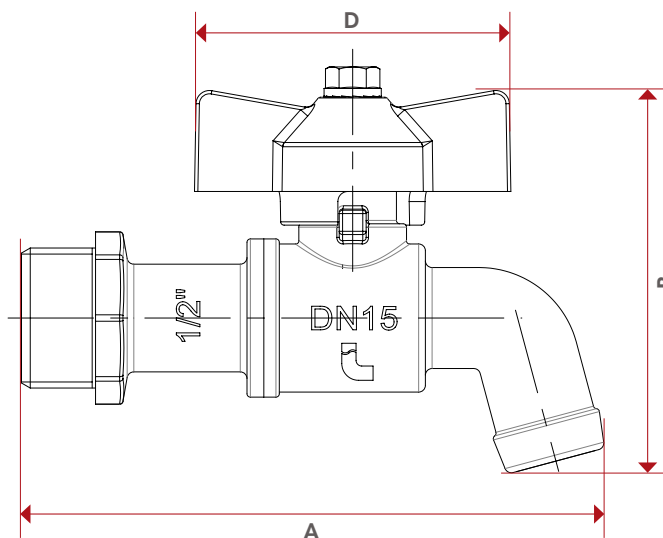
Body in nickel-plated brass.
 Supplied without hose connection.
 T handle in aluminium.
 Minimum and maximum working temperatures: -20°C, 80°C.
 Thread ISO228
 (equivalent to DIN EN ISO 228 and BS EN ISO 228).

MATERIALS



POS.	DESCRIPTION	N.	MATERIAL
1	Screw	1	Zinc-plated steel Fe CB4
2	T handle	1	Varnished aluminium
3	O-Ring	1	VITON®
4	O-Ring	1	NBR
5	Stem	1	Brass CW614N
6	End adapter	1	Nickel-plated brass CW617N
7	Seat	2	P.T.F.E.
8	Ball	1	Chrome-plated brass CW614N
9	Body	1	Nickel-plated brass CW617N
10	Hose end	1	Vestolen

OVERALL DIMENSIONS



	1/2"	3/4"
DN	15	20
A	86,5	93,5
B	60	65,5
D	47	47
Kg/cm ² bar	15	15
LBS - psi	217,5	217,5

CERTIFICATIONS



144

BALL HOSE BIBCOCK WITH LOCKPAD EYE



SIZE	PRESSURE	CODE	PACKING
1/2" (DN 15)	15bar/217,5psi	1440012	8/64
3/4" (DN 20)	15bar/217,5psi	1440034	8/64

TECHNICAL SPECIFICATIONS

Body in nickel-plated brass.

Hose connection in brass.

Lever handle in steel.

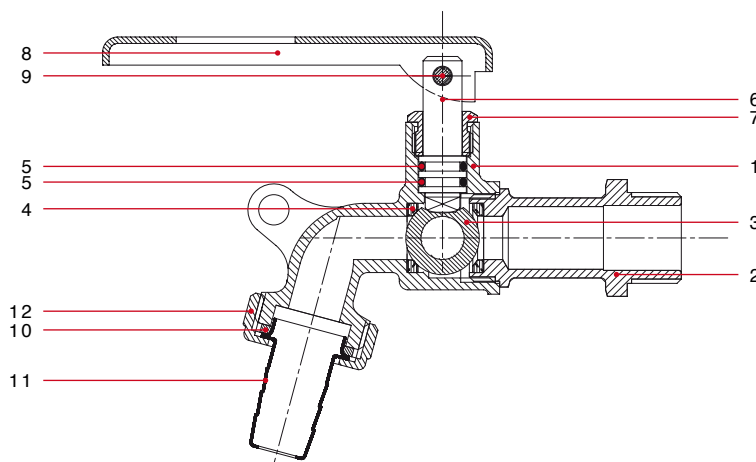
Minimum and maximum working temperatures: 0°C, 80°C.

Thread ISO228

(equivalent to DIN EN ISO 228 and BS EN ISO 228).

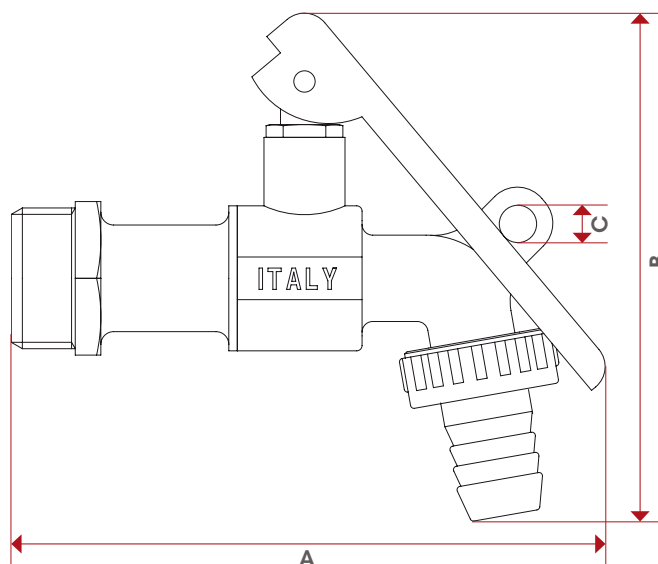
Available sizes: 1/2"x3/4", 3/4"x3/4".

MATERIALS



POS.	DESCRIPTION	N.	MATERIAL
1	Body	1	Nickel-plated brass CW617N
2	End adapter	1	Nickel-plated brass CW617N
3	Ball	1	Chrome-plated brass CW614N
4	Seat	2	P.T.F.E.
5	O-Ring	2	NBR
6	Stem	1	Brass CW614N
7	Nut	1	Brass CW614N
8	Lever handle	1	Varnished steel
9	Handle pin	1	Steel Aq34
10	Washer	1	NBR
11	Hose connection	1	Nickel-plated brass CW617N
12	Nut	1	Nickel-plated brass CW617N

OVERALL
DIMENSIONS



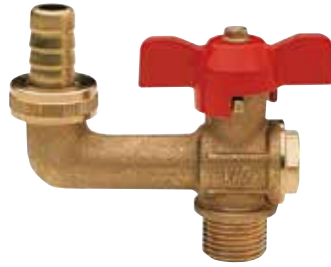
	1/2"	3/4"
A	111	111
B	105	105
C	7	7
Kg/cm ² bar	15	15
LBS - psi	217,5	217,5

CERTIFICATIONS



191

GARDEN HOSE BIBCOCK WITH BRASS CONNECTION



SIZE	PRESSURE	CODE	PACKING
1/2" (DN 15)	15bar/217,5psi	1910012	12/48
3/4" (DN 20)	15bar/217,5psi	1910034	10/40
1" (DN 25)	12bar/174psi	1910100	5/40

TECHNICAL SPECIFICATIONS

Body in brass.

Hose connection in brass.

T handle in aluminium.

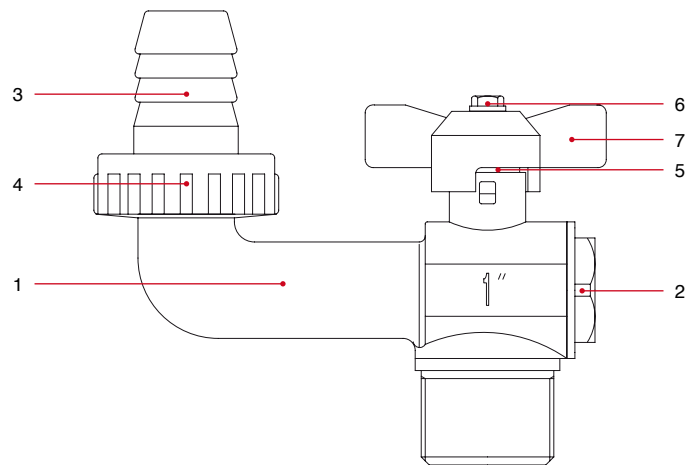
Minimum and maximum working temperatures: 0°C, 80°C.

Thread ISO228

(equivalent to DIN EN ISO 228 and BS EN ISO 228).

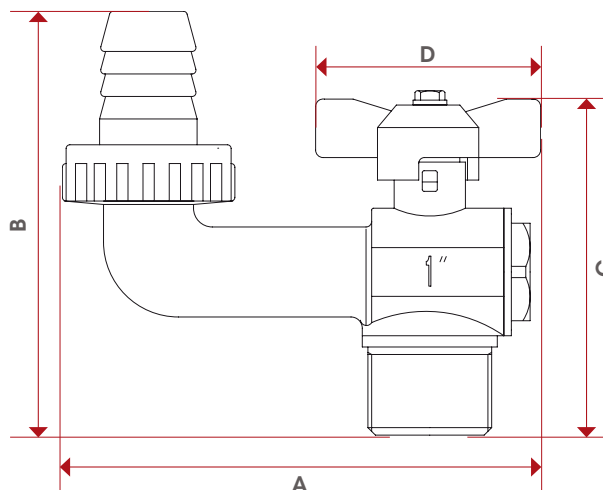
Available sizes: 1/2"x3/4", 3/4"x1", 1"x1"1/4

MATERIALS



POS.	DESCRIPTION	N.	MATERIAL
1	Body	-	Brass CW617N
2	Cap	-	Brass CW617N
-	Stem	-	Brass CW614N
3	Hose connection	-	Brass CW614N
4	Nut	-	Brass CW614N
-	Ball	-	Chrome-plated brass CW614N
-	Seat	-	P.T.F.E.
-	O-Ring	-	NBR
5	Packing gland	-	Brass CW614N
-	Washer	-	PVC
6	Screw	-	Steel Fe
7	T handle	-	Varnished aluminium

OVERALL DIMENSIONS



	1/2"	3/4"	1"
A	101	111	126
B	81	92	111
C	74	79	91
D	61	61	61
Kg/cm ² bar	15	15	12
LBS - psi	217,5	217,5	174

CERTIFICATIONS



139

DRAIN BALL VALVE WITH BRASS HOSE CONNECTION



SIZE	PRESSURE	CODE	PACKING
3/8" (DN 10)	12bar/174psi	1390038	20/200
1/2" (DN 15)	12bar/174psi	1390012	20/200
3/4" (DN 20)	12bar/174psi	1390034	15/120

TECHNICAL SPECIFICATIONS

Body in brass.

Hose connection in brass.

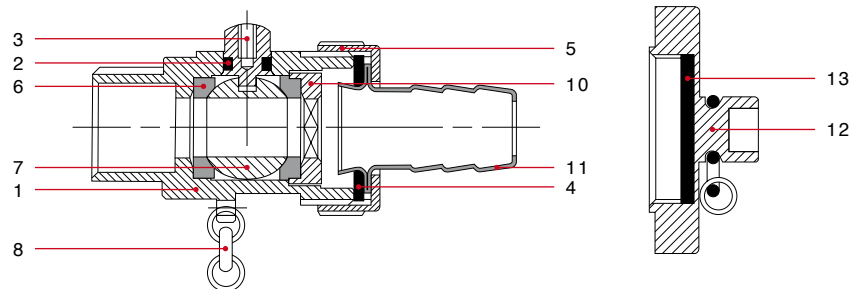
Minimum and maximum working temperatures:

-15°C, 110°C with air; 0°C, 90°C with water.

Thread ISO228

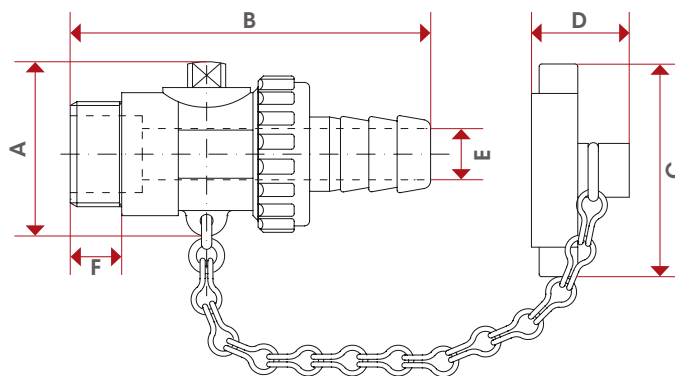
(equivalent to DIN EN ISO 228 and BS EN ISO 228).

MATERIALS



POS.	DESCRIPTION	N.	MATERIAL
1	Body	1	Brass CW614N
2	Washer	1	NBR
3	Stem	1	Brass CW614N
4	Washer	1	NBR
5	Nut	1	Brass CW617N
6	Seat	1	P.T.F.E.
7	Ball	1	Chrome-plated brass CW614N
8	Chain	1	Brass
9	Seat	1	P.T.F.E.
10	Washer	1	Brass CW614N
11	Hose connection	1	Brass
12	Cap	1	Brass CW614N
13	Washer	1	PVC

OVERALL DIMENSIONS



	3/8"	1/2"	3/4"
DN	10	15	20
A	33	33	40
B	72	72	86
C	41	41	50
D	19	19	19
E	10	10	12
F	12	12	14
Kg/cm ² bar	12	12	12
LBS - psi	174	174	174

CERTIFICATIONS



139R

DRAIN BALL VALVE
WITH BRASS HOSE
CONNECTION AND
PLASTIC HANDLE



SIZE	PRESSURE	CODE	PACKING
3/8" (DN 10)	10bar/145psi	1390038R	20/260
1/2" (DN 15)	10bar/145psi	1390012R	20/260
3/4" (DN 20)	10bar/145psi	1390034R	15/120

TECHNICAL SPECIFICATIONS

Body in brass.

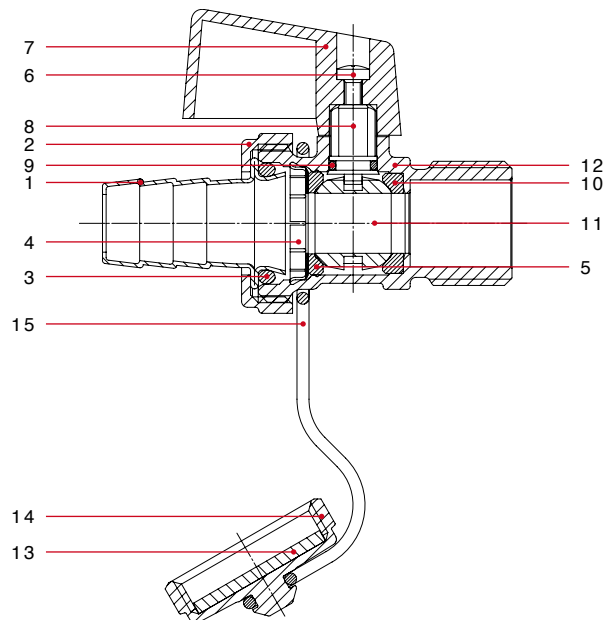
Hose connection in brass.

Minimum and maximum working temperatures: -10°C, 90°C.

Thread ISO228

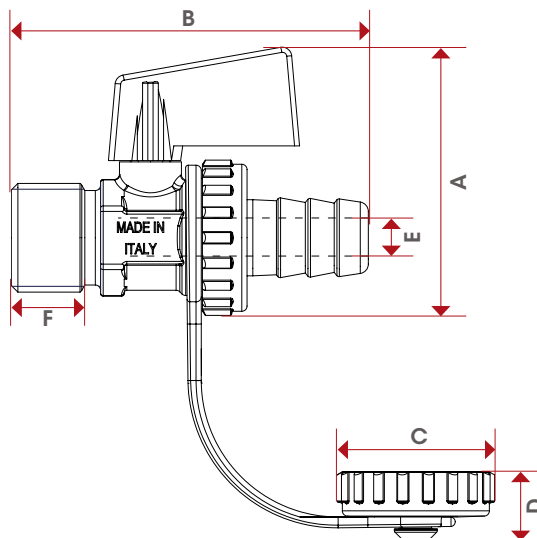
(equivalent to DIN EN ISO 228 and BS EN ISO 228).

MATERIALS



POS.	DESCRIPTION	N.	MATERIAL
1	Hose connection	1	Brass CW614N
2	Nut	1	Brass CW617N
3	O-Ring	1	E.P.D.M.
4	Sleeve	1	Stainless steel AISI 304
5	Seat	1	E.P.D.M.
6	Screw	1	Cir UNI947 - 72
7	Handle	1	Nylon 66
8	Stem	1	Brass CW614N
9	O-Ring	1	E.P.D.M.
10	Seat	1	E.P.D.M.
11	Ball	1	Chrome-plated brass CW614N
12	Body	1	Brass CW617N
13	Washer	1	E.P.D.M.
14	Cap	1	Brass CW617N
15	Strap	1	Elastomer

OVERALL DIMENSIONS



	3/8"	1/2"	3/4"
DN	10	15	20
A	50	50	50
B	62,5	68	68
C	30	30	30
D	13	13	13
E	10	10	10
F	10	13	12
Kg/cm ² bar	10	10	10
LBS - psi	145	145	145

CERTIFICATIONS



280

BRASS HOSE CONNECTION

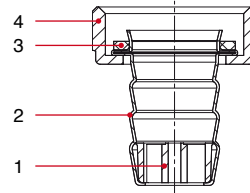


SIZE	CODE	PACKING
3/4" (DN 20)	2800034	100/1200
1" (DN 25)	2800100	50/600
1 1/4" (DN 32)	2800114	25/300

TECHNICAL SPECIFICATIONS

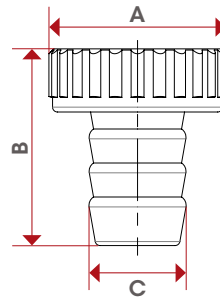
Hose connection in nickel-plated brass.
 Minimum and maximum working temperatures: -20°C, 80°C.
 Thread ISO228
 (equivalent to DIN EN ISO 228 and BS EN ISO 228).

MATERIALS



POS.	DESCRIPTION	N.	MATERIAL
1	Hose end	1	Polymer
2	Washer	1	Elastomer
3	Hose connection	1	Nickel-plated brass
4	Nut	1	Nickel-plated brass

OVERALL DIMENSIONS



	3/4"	1"	1 1/4"
DN	20	25	32
A	30,5	36,5	46
B	34	40,5	50
C	14,5	20	26

CERTIFICATIONS



282

NYLON HOSE CONNECTION



SIZE	CODE	PACKING
3/4" (DN 20)	2820034	150/1950
1" (DN 25)	2820100	75/975

TECHNICAL SPECIFICATIONS

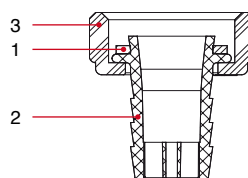
Hose connection in nylon.

Minimum and maximum working temperatures: -20°C, 80°C.

Thread ISO228

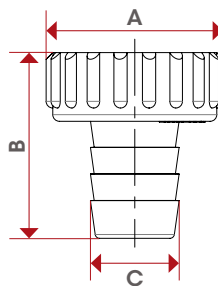
(equivalent to DIN EN ISO 228 and BS EN ISO 228).

MATERIALS



POS.	DESCRIPTION	N.	MATERIAL
1	Washer	1	PVC
2	Hose connection	1	Vestolen
3	Nut	1	Nylon

OVERALL DIMENSIONS



	3/4"	1"
DN	20	25
A	33	40
B	33,5	42
C	14,8	20

2820

MOBILE HOSE
CONNECTION
IN NYLON

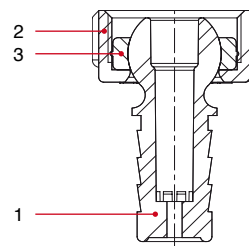


SIZE	CODE	PACKING
3/4" (DN 20)	28200340	50/600

TECHNICAL SPECIFICATIONS

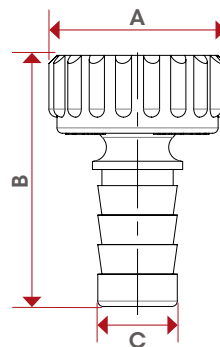
Minimum and maximum working temperatures: -20°C, 80°C.
Thread ISO228
(equivalent to DIN EN ISO 228 and BS EN ISO 228).

MATERIALS



POS.	DESCRIPTION	N.	MATERIAL
1	Hose connection	1	Nylon
2	Nut	1	Nylon
3	Washer	1	NBR

OVERALL DIMENSIONS



	3/4"
DN	20
A	33
B	47
C	14,8



TEC

BIBCOCKS

350L

SUPPLY BIBCOCK



SIZE	PRESSURE	CODE	PACKING
1/2" (DN 15)	8bar/116psi	3500012L	10/100

TECHNICAL SPECIFICATIONS

Body in polished brass.

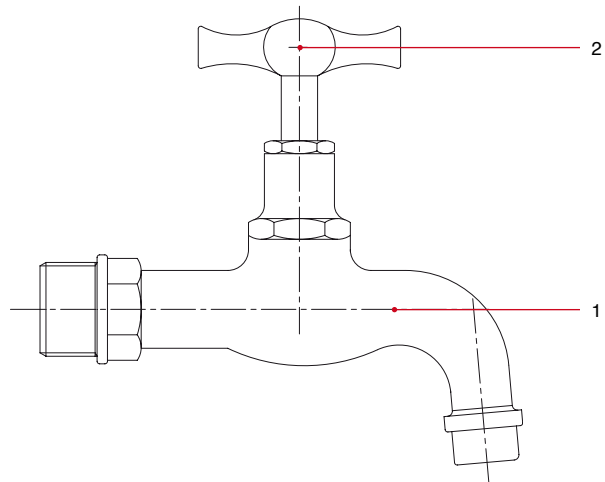
T handle in brass.

Minimum and maximum working temperatures: 0°C, 80°C.

Thread ISO228

(equivalent to DIN EN ISO 228 and BS EN ISO 228).

MATERIALS



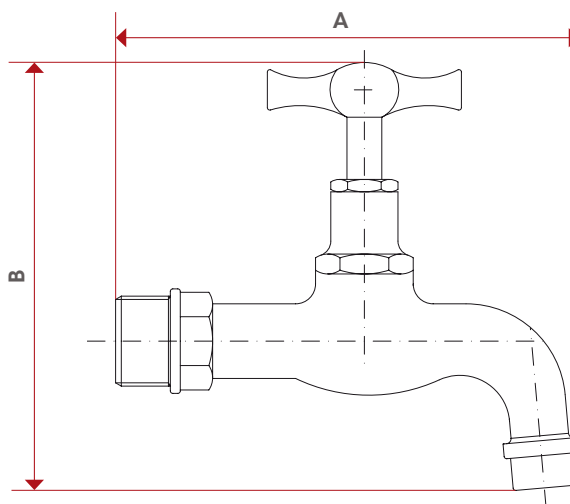
POS.	DESCRIPTION	N.	MATERIAL
1	Body	1	Brass CB753S
2	Handle	1	Brass CW614N
-	O-Ring	1	NBR





TEC

OVERALL DIMENSIONS



	1/2"
A	115
B	105
Kg/cm ² bar	8
LBS - psi	116

CERTIFICATIONS



BIBCOCKS

355L

HOSE BIBCOCK



SIZE	PRESSURE	CODE	PACKING
1/2" (DN 15)	8bar/116psi	3550012L	10/70
3/4" (DN 20)	8bar/116psi	3550034L	5/50

TECHNICAL SPECIFICATIONS

Body in polished brass.

Hose connection in brass.

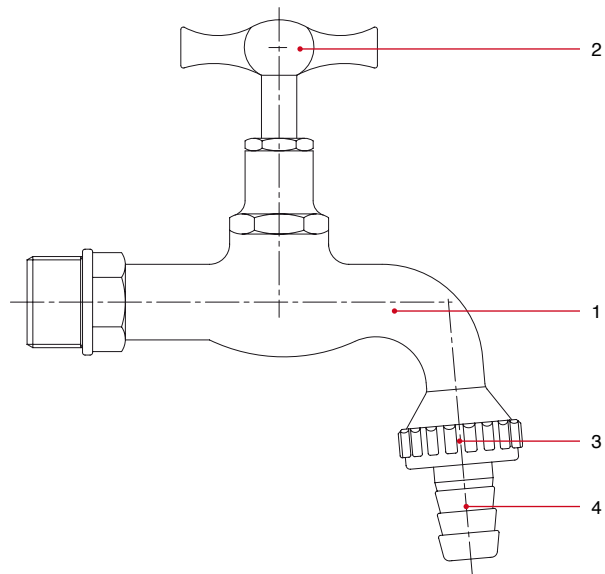
T handle in brass.

Minimum and maximum working temperatures: 0°C, 80°C.

Thread ISO228

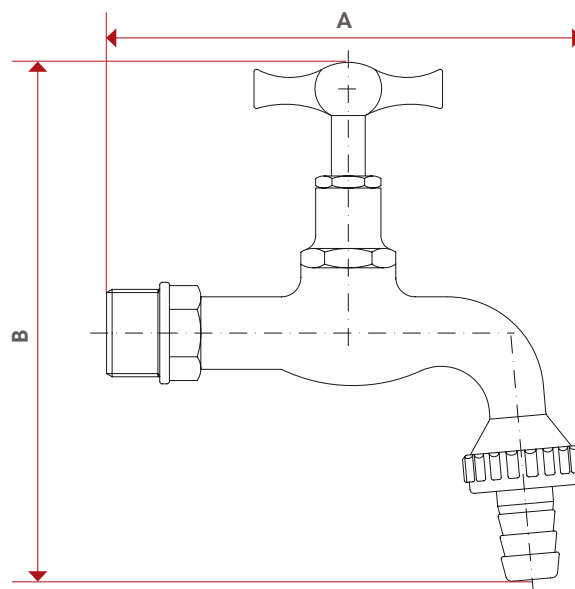
(equivalent to DIN EN ISO 228 and BS EN ISO 228).

MATERIALS



POS.	DESCRIPTION	N.	MATERIAL
1	Body	1	Brass CB753S
2	Handle	1	Brass CW614N
3	Nut	1	Brass CW617N
4	Hose connection	1	Brass CW508L
-	Washer	1	PVC
-	O-Ring	1	NBR

OVERALL
DIMENSIONS



	1/2"	3/4"
A	122	128
B	133	145
Kg/cm ² bar	8	8
LBS - psi	116	116

CERTIFICATIONS



355S

HOSE BIBCOCK



SIZE	PRESSURE	CODE	PACKING
1/2" (DN 15)	8bar/116psi	3550012S	10/70
3/4" (DN 20)	8bar/116psi	3550034S	5/50

TECHNICAL SPECIFICATIONS

Body in sandblasted/chromed brass.

Hose connection in chromed brass.

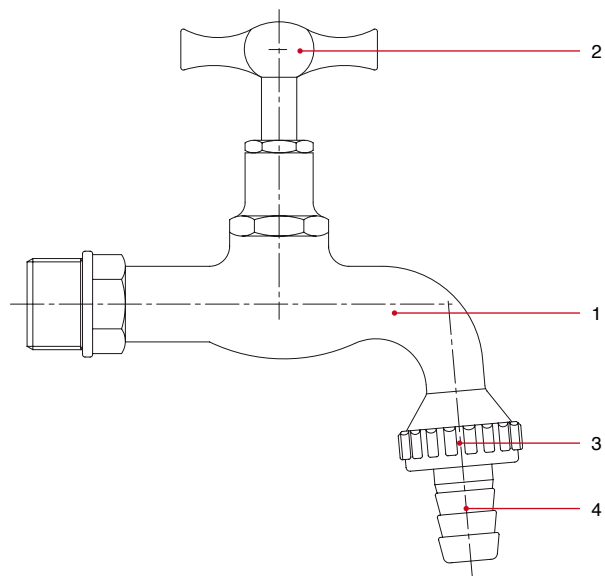
T handle in chromed brass.

Minimum and maximum working temperatures: 0°C, 80°C.

Thread ISO228

(equivalent to DIN EN ISO 228 and BS EN ISO 228).

MATERIALS

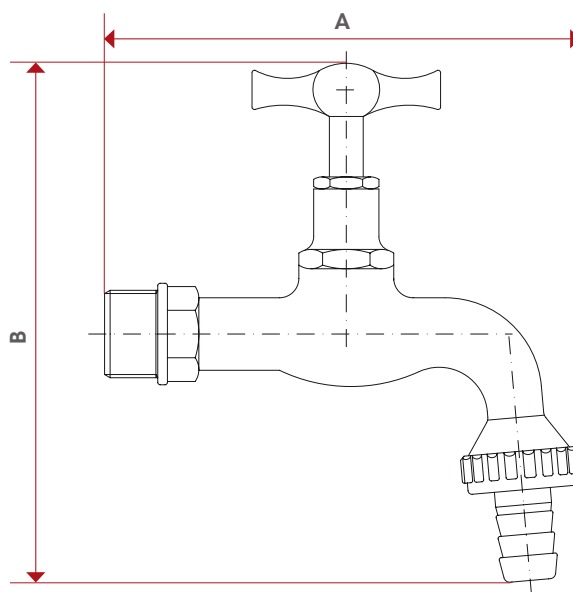


POS.	DESCRIPTION	N.	MATERIAL
1	Body	1	Chrome-plated brass CB753S
2	Handle	1	Chrome-plated brass CW614N
3	Nut	1	Chrome-plated brass CW617N
4	Hose connection	1	Chrome-plated brass CW508L
-	Washer	1	PVC
-	O-Ring	1	NBR



TEC

OVERALL DIMENSIONS



	1/2"	3/4"
A	122	128
B	133	145
Kg/cm ² bar	8	8
LBS - psi	116	116

CERTIFICATIONS



BIBCOCKS



ITAP S.p.A.
Via Ruca 19
25065 Lumezzane
Brescia (ITALIA)
Tel 030 89270
Fax 030 8921990
www.itap.it-info@itap.it

