

Application:

Oventrop compact distributor for the connection of the "Regumat" stations DN 25 ("Regumat" DN 32 with reducers).

Consisting of distributor, thermal insulation and wall bracket including fixing material.

The distributor is, for instance, used for volume distribution from the heat generator to several heating circuits.

Advantages:

- space-saving installation
- simple installation
- problem-free water distribution even for small performance ranges

Models:

for 3 heating circuits
for 5 heating circuits

Item no.:

1351783
1351785

Materials:

Distributor: Steel, primed black
Thermal insulation: Expanded polypropylene
Wall bracket: Steel, galvanised

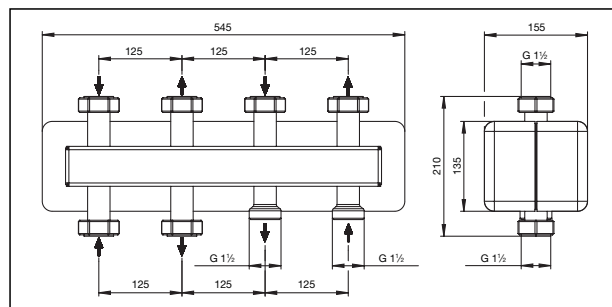
Connections:

To heating circuit: G 1½ collar nut, flat sealing
To boiler: G 1½ male thread, flat sealing

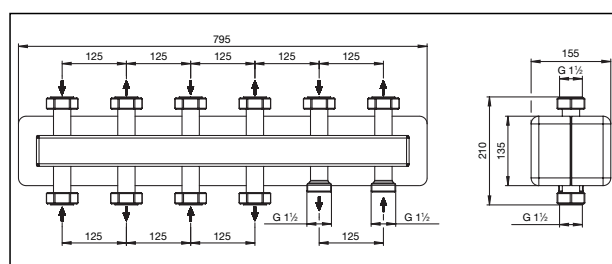
The direction of flow must be observed!

Technical data:

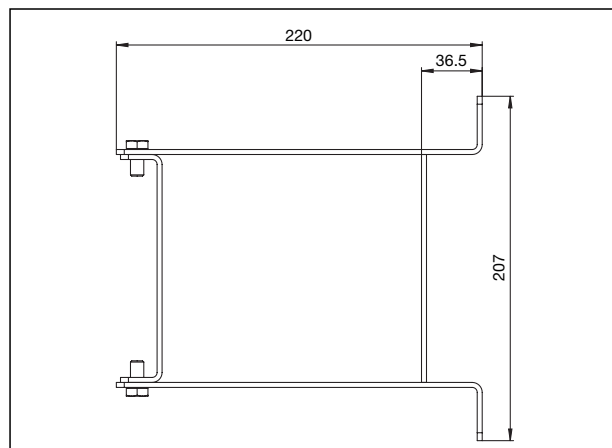
Max. operating pressure: 4 bar
Max. operating temperature: 110 °C
Max. flow rate: 4 m³/h
Recommended application range: Max. 95 kW ($\Delta T = 20K$)



Dimensions compact distributor DN 25, 3-fold



Dimensions compact distributor DN 25, 5-fold



Dimensions wall bracket

OVENTROP GmbH & Co. KG
Paul-Oventrop-Straße 1
D-59939 Olsberg, Germany
Phone +49 (0)29 62 82-0
Fax +49 (0)29 62 82-450
E-Mail mail@oventrop.de
Internet www.oventrop.de

For an overview of our global presence visit www.oventrop.de.

Subject to technical modification without notice.

Product range 6
ti 293-EN/10/MW
Edition 2015