

Application:

Oventrop compact distributor for the connection of the "Regumat" stations DN 32 without pump ball valve ("Regumat" DN 25 with connection fittings).

Consisting of distributor, thermal insulation and wall bracket including fixing material.

The distributor is, for instance, used for volume flow distribution from the heat generator to several heating circuits.

Advantages:

- space-saving installation
- simple installation
- problem-free water distribution even for small performance ranges

Models:

for 2 heating circuits
for 3 heating circuits
for 4 heating circuits
for 5 heating circuits

Item no.:

1351682
1351683
1351684
1351685

Materials:

Distributor: Steel, primed black
Thermal insulation: Polyurethane rigid foam, CFC-free in a black aluminium coarse grain jacket
Wall bracket: Steel, galvanised

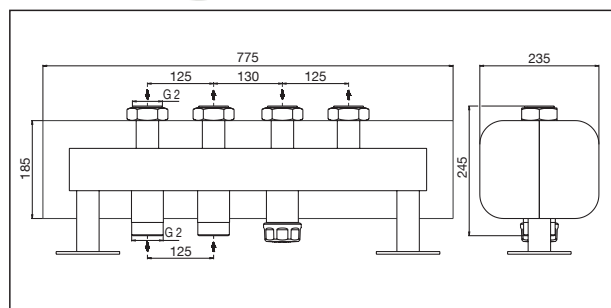
Connections:

To heating circuit: G 2 collar nut, flat sealing
To boiler: G 2 male thread, flat sealing

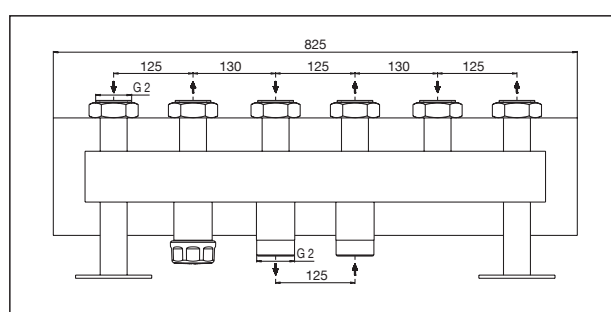
The direction of flow must be observed!

Technical data:

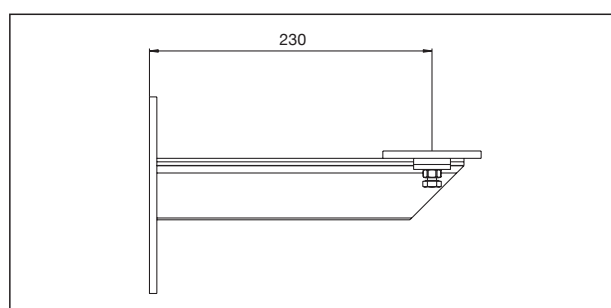
Max. operating pressure p_s : 4 bar
Max. operating temperature t_s : 110 °C
Max. flow rate: 7.5 m³/h
Recommended application range: max. 175 kW ($\Delta T = 20$ K)



Dimensions distributor DN 32, 2-fold



Dimensions distributor DN 32, 3-fold



Dimensions wall bracket