

Application:

Oventrop compact distributor “HydroFixx” with horizontal integrated header for the connection of “Regumat 220/280” stations DN 40/50 without pump ball valve (“Regumat” DN 25/32 with connection fittings).

Consisting of distributor, thermal insulation and wall bracket including fixing material.

The hydronic header is used if the volume flows on the primary and secondary side are different or will influence each other. In case of condensing appliances where the water circulation in the boiler circuit is much lower than the volume flow in the heating circuit, the installation of a hydronic header will guarantee a sufficient supply of the heat consumers.

The installation of a circulation pump in the primary and secondary circuit is paramount for the operation of a hydronic header.

Advantages:

- space-saving hydronic header/distributor combination
- easy dimensioning of pumps and control valves
- no hydronic influence on the boiler and heating circuit
- decoupling of the individual heat generators in installations with several boilers
- increased efficiency of the heating system as the burner is not switched on and off constantly
- use in heating systems with one or several boilers, conventional heating systems as well as condensing boiler heating systems
- increased service life of the boiler
- problem-free water distribution even for small performance ranges

Models:

for 2 heating circuits
for 3 heating circuits

Item no.:

1351778
1351779

Materials:

Distributor: Steel, primed black
Thermal insulation: Polyurethane rigid foam, CFC-free in a black aluminium coarse grain jacket

Connections:

To heating circuit: G 2 collar nut, flat sealing
To boiler: Flange DN 80/PN 10
Sensor connection: Rp ½

Technical data:

Max. operating pressure p_s : 6 bar
Max. operating temperature t_s : 110 °C
Max. flow rate: 18.0 m³/h
Recommended application range: max. 420 kW ($\Delta T = 20$ K)

Set of mounting legs:

The height of the mounting legs for the distributor “HydroFixx” DN40/50 is infinitely adjustable.

The set consists of two mounting legs, sound insulation boards and fixing material.

Item no.: 1351697

Materials:

Mounting leg: Steel, galvanised
Sound insulation board: Sponge rubber

Set of wall consoles:

The distance to the wall of the consoles for distributor/“HydroFixx” DN 40/50 is infinitely adjustable.

The set consists of two wall consoles, sound insulation boards and fixing material.

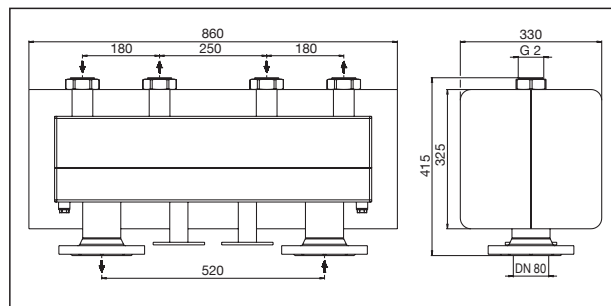
Item no.: 1351695

Materials:

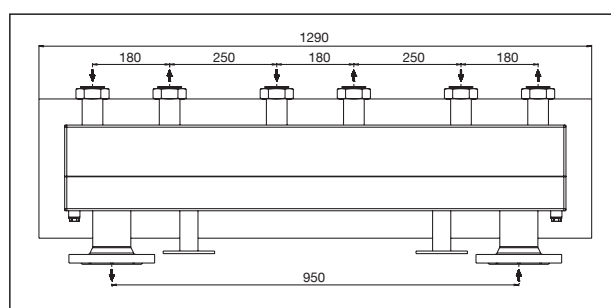
Wall console: Steel, galvanised
Sound insulation board: Sponge rubber

Subject to technical modifications without notice.

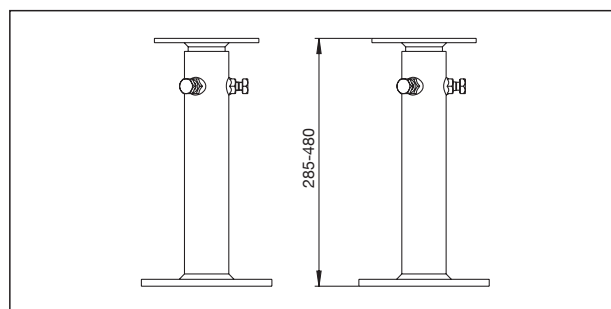
Product range 6
ti 261-EN/10/MW
Edition 2017



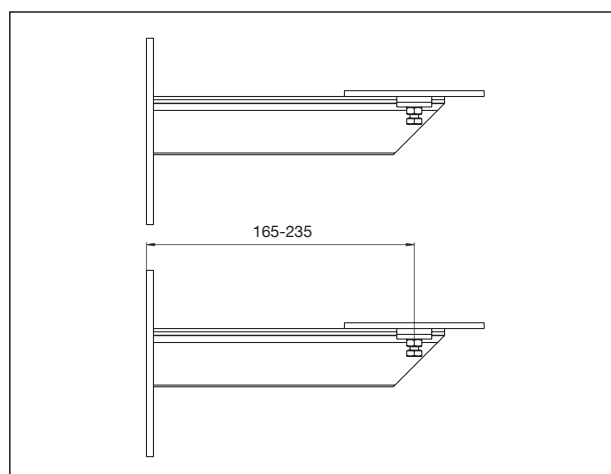
Dimensions “HydroFixx” DN 40/50, 2-fold



Dimensions “HydroFixx” DN40/50, 3-fold



Dimensions set of mounting legs



Dimensions set of wall consoles