



Construction and function:

The Oventrop “Flexo-Bloc” is used as oil draining facility for individual and battery tanks with connecting pipe installed at the bottom. The heating oil is drawn from the tank via a hose. The “Flexo-Bloc” is equipped with an isolating valve with rocker arm which can be operated with the help of a release cord as well as a removable non-return ball (see note regarding non-return ball). The connection of the suction pipe and, if required, of the return pipe is made via a G 3/8 female thread with compression connection.

The “Flexo-Bloc” for two pipe systems has a suction hose and a level indicator pipe leading down to the bottom of the tank. A spacer with weight keeps the necessary distance between the entrance hole and the tank bottom so that no sediments are sucked in. The level indicator pipe serves to connect a pneumatic level indicator pipe via a 6 mm pipe or a 6 mm solid hose.

The oil draining facility can also be used for one pipe systems, the return pipe connection should then be closed.

The “Flexo-Bloc” for one pipe systems has hoses similar to those of the “Flexo-Bloc” for two pipe systems or, alternatively, a floating suction without level indicator pipe.

As for the floating suction, the oil is drawn off close to the oil level where the oil contains almost no dirt particles.

The floating suction should not be installed in underground tanks. A penetration of water, for instance through a corroded venting pipe, would remain undetected with a floating suction.

Note regarding non-return ball:

The integrated non-return ball check valve prevents a drop of the oil column when the burner is not in operation. However, the ball of the non-return check valve can be removed.

It has to be removed if a self-monitoring suction pipe (= suction pipe with a steady decline towards the tank without non-return check valve) is planned.

The ball should be removed if a rise in pressure in the suction pipe is to be expected. Pressure strains the pipework and components and may lead to malfunctions of the quick-isolating facilities, anti-siphon valves and solenoid valves which may cause burner malfunctions.

Pressure within the pipework may arise if the burner switches off and the cold oil in the boiler room warms up and expands.

If the tank and the burner are not set up in the same room, the non-return ball thus has to be removed to allow the oil to expand towards the tank.

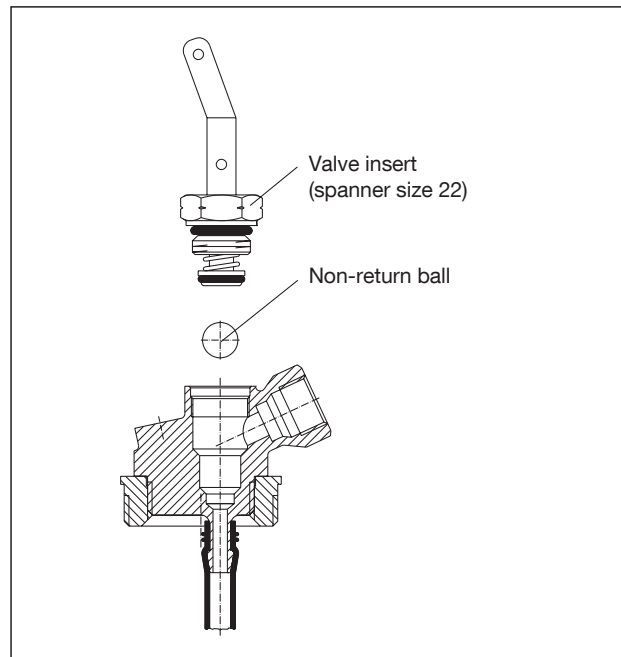
Procedure: Unscrew bonnet, remove ball, refit bonnet.

Advantages:

- quick installation
- quick isolation by using the release cord
- non-return ball removable
- spacer keeping the distance to the tank bottom
- floating suction (optional)
- level indicator pipe for pneumatic level indicator
- direct connection to the pipework by use of Oventrop compression fittings



Example: “Flexo-Bloc” for two pipe systems (left hand side) and “Flexo-Bloc” for one pipe systems with floating suction (right hand side)



Removal of non-return ball

Technical data:

Connections:
 Tank: G 1, G 1½ or G 2 male thread
 Pipework: G ¾ female thread for compression fittings 6, 8, 10 and 12 mm (sets of compression fittings to be ordered separately)
 Level indicator pipe: Connection of a pneumatic level indicator via a 6 mm pipe or 6 mm solid hose
 Fluid: EL type of heating oil according to DIN 51603-1 also suitable for heating oils with "alternative additives" (see "Heating oils")
 Flow rate: See chart, approx. 40% higher resistance with hose length of 3 m
 Isolation: Spring assisted valve with rocker arm, operation by use of a release cord
 Non-return check valve: Can be inactivated (remove non-return valve)
 Installation position: Vertical on top of the tank or tank cover
 Operating temperature: -10 °C up to +60 °C*
 Max. suction pressure: -0.9 bar
 Max. test pressure: 6 bar
 TÜV tested: TÜV-Rhineland, no.: S 229 2016 E3
 Item no.: 20520/21 ..

* Temperature range according to DIN 4755: 0 °C up to 40 °C

Models:

"Flexo-Bloc" for two pipe systems

Supply and return connection G ¾ female thread with brass compression fittings 10 and 12 mm, with level indicator pipe

Item no.:	Tank connection	Tank height up to
2052151	G 1	2,000 mm
2052152	G 1	3,000 mm
2052153	G 1½	2,000 mm
2052154	G 1½	3,000 mm

"Flexo-Bloc" for two pipe systems

Export model

Supply and return connection G ¾ female thread with compression fittings with plastic compression rings for metal pipes 8, 10 and 12 mm, with level indicator pipe

Item no.:	Tank connection	Tank height up to
2053051	G 2	2,000 mm
2053052	G 2	3,000 mm

"Flexo-Bloc" for one pipe systems

with floating suction

Supply connection G ¾ female thread, brass compression fittings 6, 8, 10 or 12 mm to be ordered separately

Item no.:	Tank connection	Tank height up to
2052053	G 1	2,000 mm
2052051	G 1½	2,000 mm

"Flexo-Bloc" for one pipe systems

Export model

Supply connection G ¾ female thread with compression fittings with plastic compression rings for metal pipes 6 and 8 mm, with level indicator pipe

Item no.:	Tank connection	Tank height up to
2053353	G 1	2,000 mm
2053354	G 1	3,000 mm
2053351	G 2	2,000 mm
2053352	G 2	3,000 mm

Note: Export models are supplied with plastic compression rings. These connections may not be used in Germany. They have to be replaced with metal connections, such as brass compression fittings.



Heating oils:

The oil draining facility "Flexo-Bloc" is designed for mineral heating oils and can also be used for heating oils with "alternative additives" up to 20% (vegetable oils or FAME), such as EL type of heating oil A Bio 20 according to DIN V 51603-6.

Subject to technical modifications without notice.

Product range 9
 ti 182-EN/10/MW
 Edition 2016

The bodies are marked with "A".

Older models without marking "A" should only be used for mineral heating oils with "alternative additives" up to 5%.

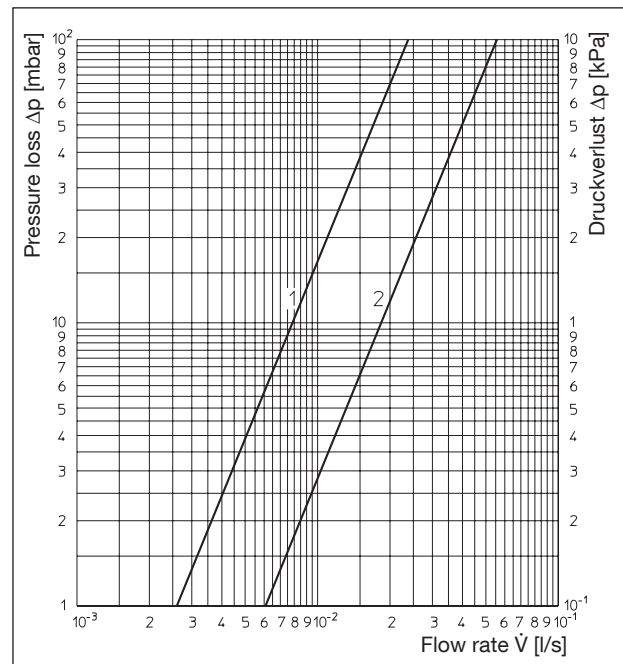


Chart (hose length 2 m):

1. One pipe system
2. Two pipe system

"Ofix-Oil" Compression fittings for copper pipe

Connection set (2-fold) for two pipe systems	Item no.:
6 mm	2127050
8 mm	2127051
10 mm	2127052
12 mm	2127053

Connection set (1-fold) for one pipe systems	Item no.:
6 mm	2127650
8 mm	2127651
10 mm	2127652
12 mm	2127653

Brass reinforcing sleeves for copper pipes with a wall thickness of 1 mm	Item no.:
6 mm	2083951
8 mm	2083952
10 mm	1029651
12 mm	1029652

Release cord for remote operation with screws, dowels and lead seal	Item no.:
	2052080

2 reducers made of plastic G 2 x G 1½ and G 1½ x G 1	Item no.:
	2040090



Boiler-Gas.ru

Перейти на сайт

Tested by TÜV Rhineland, types 20520/21 ..