

### Application:

Oventrop compact distributor “MonoFixx” with horizontal integrated hydronic header for the connection of “Regumat” stations DN 25 (“Regumat” DN 32 with connection fittings).

Consisting of distributor, thermal insulation and wall bracket including fixing material.

The hydronic header is used if the volume flows on the primary and secondary side are different or will influence each other. In case of condensing appliances where the water circulation in the boiler circuit is much lower than the volume flow in the heating circuit, the installation of a hydronic header will guarantee a sufficient supply of the heat consumers.

The installation of a circulation pump in the primary and secondary circuit is paramount for the operation of a hydronic header.

### Advantages:

- space-saving hydronic header/distributor combination
- easy dimensioning of pumps and control valves
- no hydronic influence on the boiler and heating circuit
- decoupling of the individual heat generators in installations with several boilers
- increased efficiency of the heating system as the burner is not switched on and off constantly
- use in heating systems with one or several boilers, conventional heating systems as well as condensing boiler heating systems
- increased service life of the boiler
- problem-free water distribution even for small performance ranges

### Model:

for 1 heating circuit

### Item no.:

1351589

### Materials:

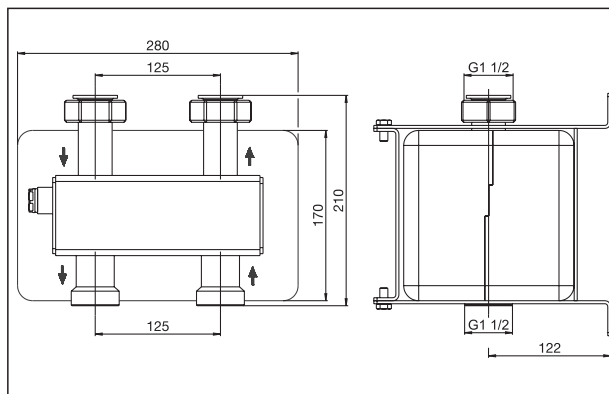
Distributor: Steel, primed black  
Thermal insulation: Expanded polypropylene  
Wall bracket: Steel, galvanised

### Connections:

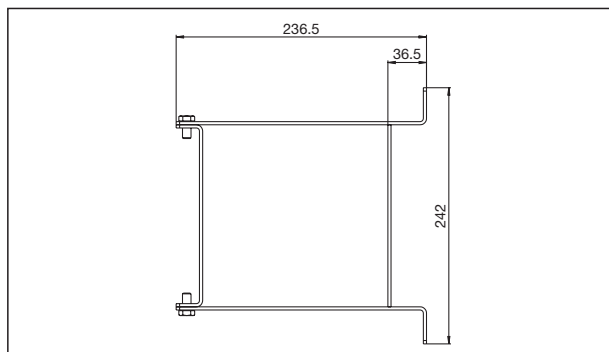
To heating circuit: G 1½ collar nut, flat sealing  
To boiler: G 1½ male thread, flat sealing  
Sensor connection: Rp ½

### Technical data:

Max. operating pressure  $p_s$ : 4 bar  
Max. operating temperature  $t_s$ : 110°C  
Max. flow rate: 4 m³/h  
Recommended application range: max. 95 kW ( $\Delta T = 20K$ )



Dimensions “MonoFixx” DN 25



Dimensions wall bracket

Subject to technical modifications without notice.

Product range 6  
ti 349-EN/10/MW  
Edition 2017