



Tender specification:

The digital room thermostat is used for room temperature control in self-contained rooms. The room temperature is controlled via a valve which is activated through an actuator. The room thermostat can be used in combination with the Oventrop electrothermal two point actuators "Aktor T 2P" for individual room temperature control. When the room temperature has reached the set nominal value, the valve will be closed.

Setting of the nominal value by key stroke, visualisation on a large LCD display with blue backlighting.

Operating function: Heating

Settings can be stored.

Technical data:

Temperature setting range: 5 °C up to 35 °C

Operating current: Item no. 1152561:
230 V AC, 50/60 Hz
Item no. 1152562:
24 V AC, 50/60 Hz

Power: < 2 W

Fuse: 2 A, 230 V

Protection: IP 30

Heating: Use electrothermal actuators (two point) "closed with current off" (terminal "NC") or "open with current off" (terminal "NO")

Models:

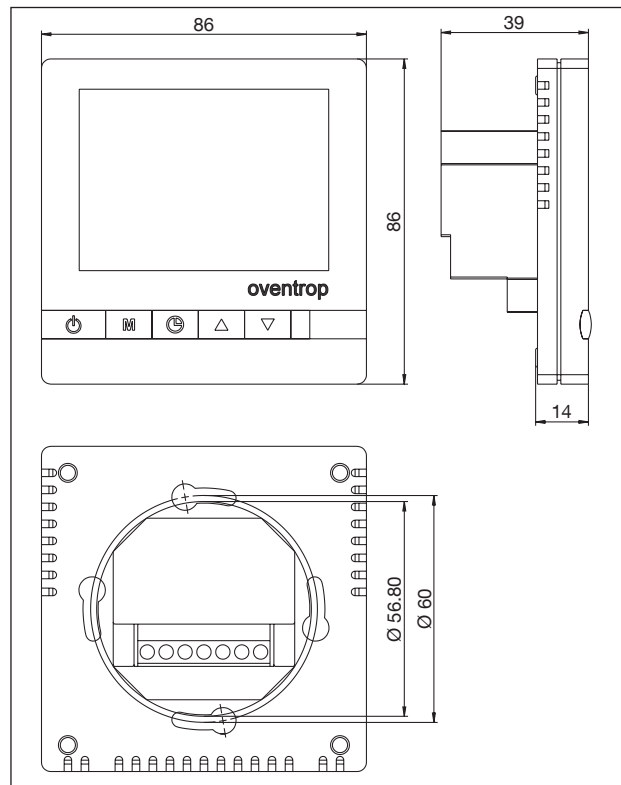
| Models: | Item no.: |
|---------|-----------|
| 230 V | 1152561 |
| 24 V | 1152562 |

Functions:

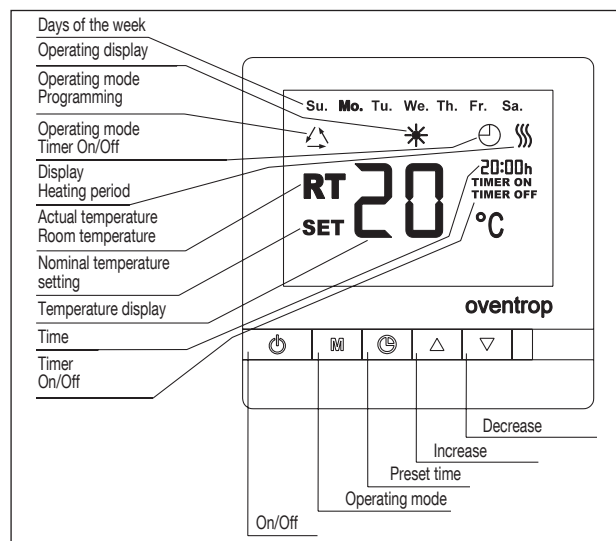
- Display of room temperature, time, day of the week and operating mode
- Selectable frost protection function (5 °C) with the room thermostat being switched off
- Programmable operating modes:
 - Constant operation
 - Daily programme timer On/Off
 - Weekly programme (Mo-Fr and Sa-Su), free selection of up to four switching points and temperatures per day



Digital room thermostat



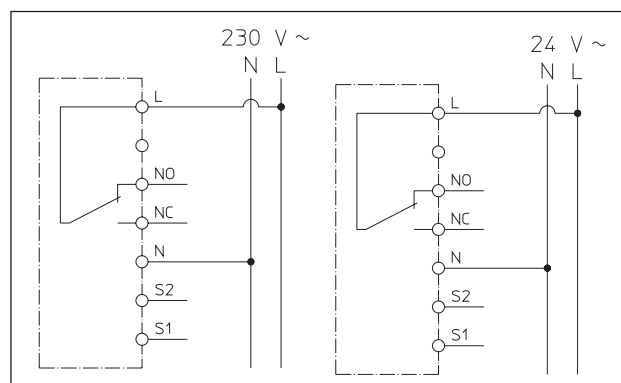
Dimensions



Display and key functions

Subject to technical modifications without notice.

Product range 1
ti 241-EN/10/MW
Edition 2018



Wiring diagram