

TECHNICAL CATALOGUE

THERMOMETERS AND PRESSURE GAUGES



ITAP SpA, founded in Lumezzane (Brescia) in 1972, is currently one of the leading production companies in Italy of valves, fittings and distribution manifolds for plumbing and heating systems. Thanks to fully automated production processes, with 72 tooling machines and 51 assembly lines, we are able to produce 200,000 pieces per day. Our innate pursuit for innovation and observance of technical regulations is supported by the company certification ISO 9001: 2008. The company has always considered its focus on quality as the main tool to obtain significant business results: today ITAP SpA is proud to offer products bearing the approval of numerous international certifying bodies.



THERMOMETERS AND PRESSURE GAUGES





THERMOMETERS
AND PRESSURE
GAUGES

ACCESSORIES

482

PRESSURE GAUGE,
BOTTOM CONNECTION,
0-10 BAR

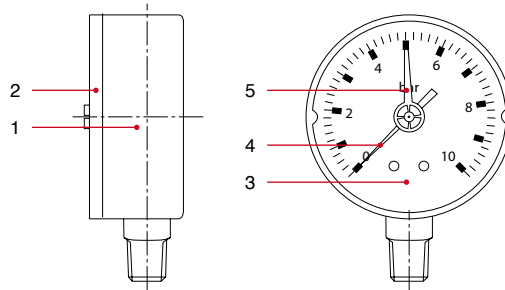


SIZE	PRESSURE	CODE	PACKING
1/4"	10bar/145psi	482B014	4/136

TECHNICAL SPECIFICATIONS

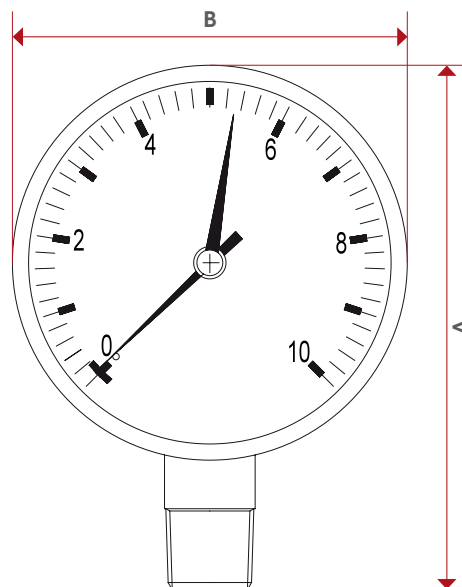
Complying with INAIL regulation (ex ISPEL).
Diameter mm. 63.
Size of the connection: 1/4"
Scale: 0-10 bar.
Taper thread ISO 7/1 R
(equivalent to DIN EN 10226-1 and BS EN 10226-1).

MATERIALS



POS.	DESCRIPTION	N.	MATERIAL
1	Body	1	ABS
2	See-through cap	1	Altuglas®
3	Quadrant	1	Plastic
4	Indicator	1	ABS
5	Adjustable indicator	1	ABS

OVERALL DIMENSIONS



	1/4"
A	81
B	63
Kg/cm ² bar	10
LBS - psi	145

CERTIFICATIONS



482R

PRESSURE
GAUGE, BOTTOM
CONNECTION,
0-6 BAR

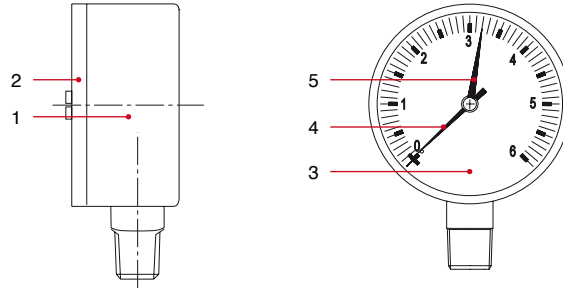


SIZE	PRESSURE	CODE	PACKING
1/4"	6bar/87psi	482B014R	4/136

TECHNICAL SPECIFICATIONS

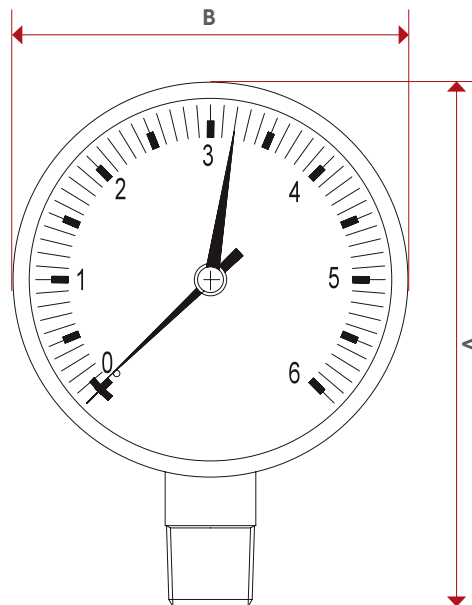
Complying with INAIL regulation (ex ISPESEL).
Diameter mm. 50.
Size of connection: 1/4".
Scale: 0-6 bar.
Taper thread ISO 7/1 R
(equivalent to DIN EN 10226-1 and BS EN 10226-1).

MATERIALS



POS.	DESCRIPTION	N.	MATERIAL
1	Body	1	ABS
2	See-through cap	1	Altuglas®
3	Quadrant	1	Plastic
4	Indicator	1	Nylon
5	Adjustable indicator	1	ABS

OVERALL DIMENSIONS



	1/4"
A	71
B	50
Kg/cm ² bar	6
LBS - psi	87

CERTIFICATIONS



483

PRESSURE GAUGE,
BACK CONNECTION,
0-10 BAR

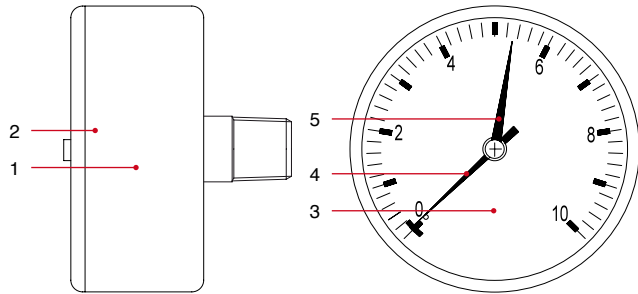


SIZE	PRESSURE	CODE	PACKING
1/4"	10bar/145psi	483B014	4/136

TECHNICAL SPECIFICATIONS

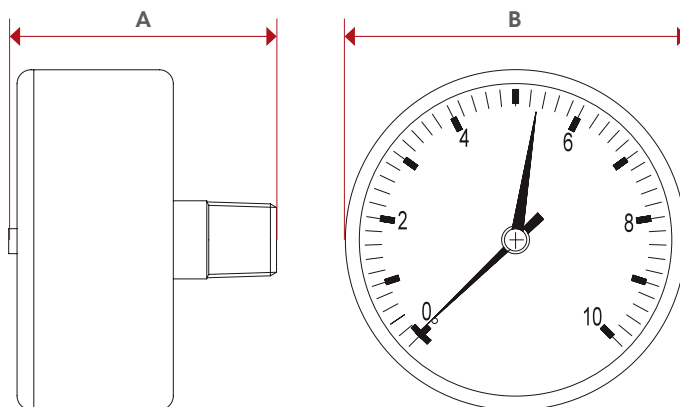
Complying with INAIL regulation (ex ISPEL).
Diameter mm.63.
Size of the connection: 1/4".
Scale: 0-10 bar.
Taper thread ISO 7/1 R
(equivalent to DIN EN 10226-1 and BS EN 10226-1).

MATERIALS



POS.	DESCRIPTION	N.	MATERIAL
1	Body	1	ABS
2	See-through cap	1	Polystyrene crystal
3	Quadrant	1	Plastic
4	Indicator	1	Nylon
5	Adjustable indicator	1	ABS

OVERALL DIMENSIONS



	1/4"
A	46
B	63
Kg/cm² bar	10
LBS - psi	145

CERTIFICATIONS



483R

PRESSURE GAUGE,
BACK CONNECTION,
0-6 BAR

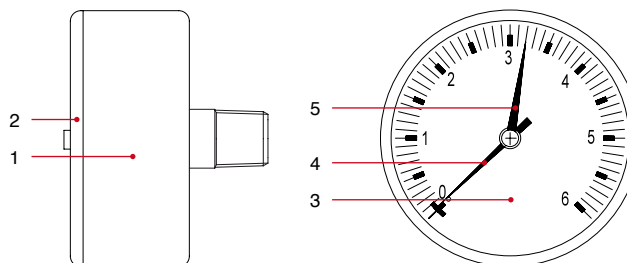


SIZE	PRESSURE	CODE	PACKING
1/4"	6bar/87psi	483B014R	4/136

TECHNICAL SPECIFICATIONS

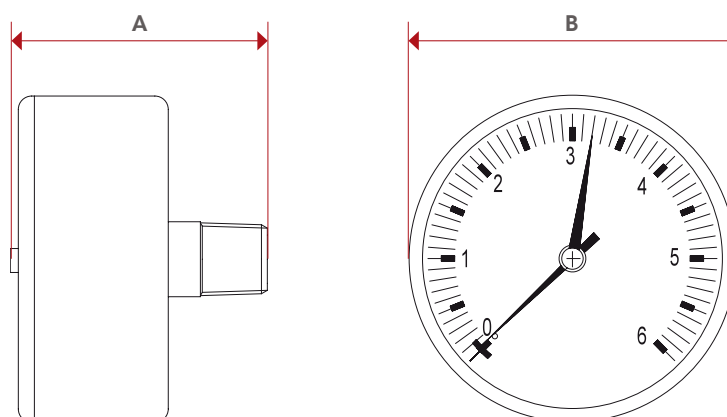
Complying with INAIL regulation (ex ISPEL).
Diameter mm.50.
Size of the connection: 1/4".
Scale: 0-6 bar.
Taper thread ISO 7/1 R
(equivalent to DIN EN 10226-1 and BS EN 10226-1).

MATERIALS



POS.	DESCRIPTION	N.	MATERIAL
1	Body	1	ABS
2	See-through cap	1	Polystyrene crystal
3	Quadrant	1	Plastic
4	Indicator	1	Nylon
5	Adjustable indicator	1	ABS

OVERALL DIMENSIONS



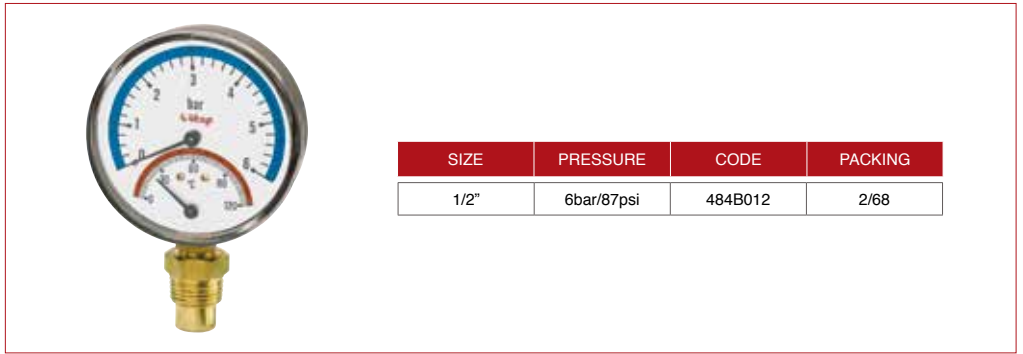
	1/4"
A	71
B	50
Kg/cm ² bar	6
LBS - psi	87

CERTIFICATIONS



484

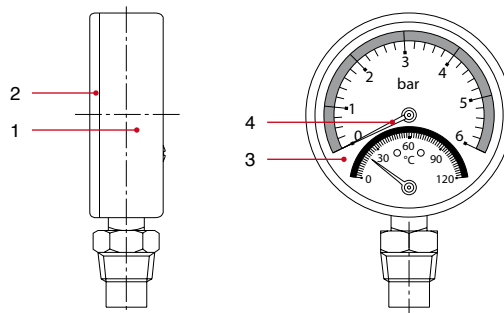
THERMOMETER AND PRESSURE GAUGE, BOTTOM CONNECTION



TECHNICAL SPECIFICATIONS

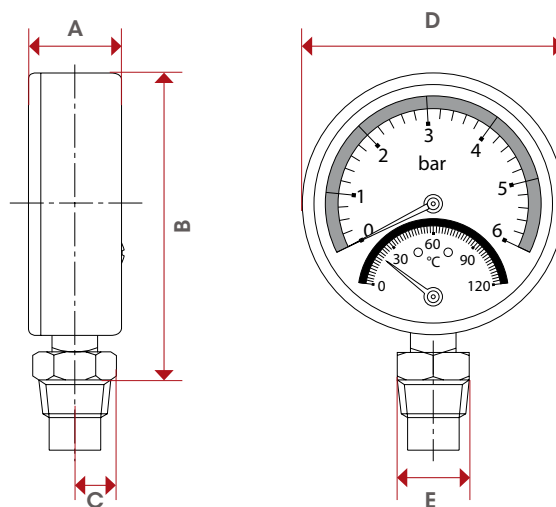
Diameter mm.80.
 Size of the connection: 1/2".
 Scale: 0°C-120°C, 0-6 bar.
 Taper thread ISO 7/1 R
 (equivalent to DIN EN 10226-1 and BS EN 10226-1).

MATERIALS



POS.	DESCRIPTION	N.	MATERIAL
1	Body	1	ABS
2	See-through cap	1	Altuglas®
3	Quadrant	1	Aluminium
4	Indicator	1	Nylon

OVERALL DIMENSIONS



	1/4"
A	28,3
B	93,6
C	14,25
D	80
E	22
Kg/cm² bar	6
LBS - psi	87

CERTIFICATIONS



485

THERMOMETER AND PRESSURE GAUGE, BACK CONNECTION

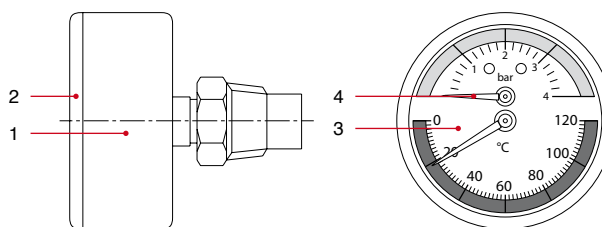


SIZE	PRESSURE	CODE	PACKING
1/2"	4bar/58psi	485B012	2/68

TECHNICAL SPECIFICATIONS

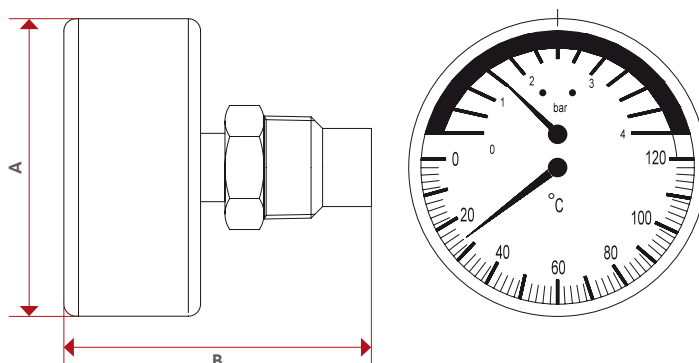
Diameter mm.63.
 Size of the connection: 1/2".
 Scale: 0°C-120°C, 0-4 bar.
 Taper thread ISO 7/1 R
 (equivalent to DIN EN 10226-1 and BS EN 10226-1).

MATERIALS



POS.	DESCRIPTION	N.	MATERIAL
1	Body	1	ABS
2	See-through cap	1	Altuglas®
3	Quadrant	1	Aluminium
4	Indicator	1	Nylon

OVERALL DIMENSIONS



	1/2"
A	63
B	62
Kg/cm ² bar	4
LBS - psi	58

CERTIFICATIONS



493

THERMOMETER BACK CONNECTION

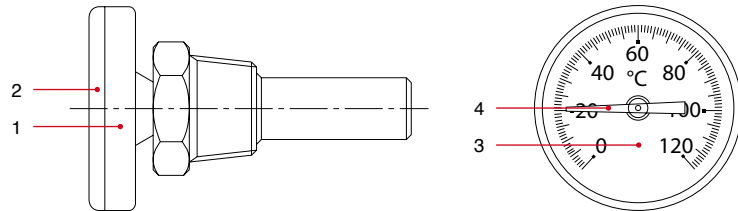


SIZE	PRESSURE	CODE	PACKING
3/8"x40	10bar/145psi	493B03840P	10/340
1/2"x40	10bar/145psi	493B01240P	8/272
1/2"x63	10bar/145psi	493B01263P	4/136
1/2"x80	10bar/145psi	493B01280P	2/38

TECHNICAL SPECIFICATIONS

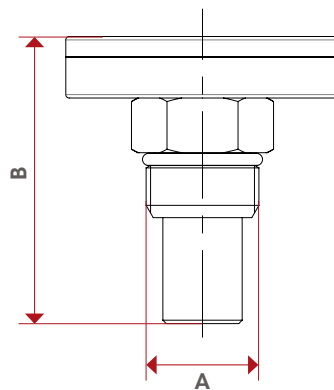
Complying with INAIL regulation (ex ISPESL).
 Available diameters: mm.40, mm.63, mm.80.
 Size of the connections: 3/8", 1/2".
 Pin length: mm. 50 (with Ø 40 - 63) - mm.100 (with Ø 80).
 Scale: 0°C- 80°C (3/8"), 0°C-120°C (1/2").
 Taper thread ISO 7/1 R
 (equivalent to DIN EN 10226-1 and BS EN 10226-1).

MATERIALS



POS.	DESCRIPTION	N.	MATERIAL
1	Body	1	ABS
2	See-through cap	1	Altuglas®
3	Quadrant	1	Aluminium
4	Indicator	1	Nylon

OVERALL DIMENSIONS

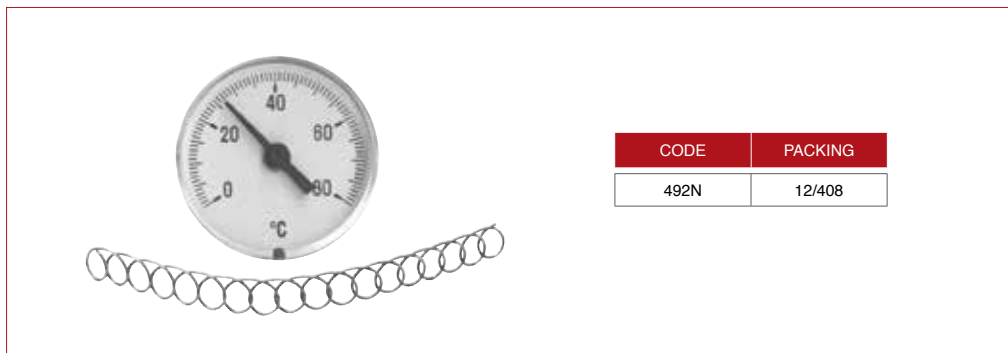


	3/8"x40	1/2"x40	1/2"x63	1/2"x80
A	40	40	63	80
B	42	62,5	63	120
Kg/cm² bar	10	10	10	10
LBS - psi	145	145	145	145



492N

SURFACE
THERMOMETER

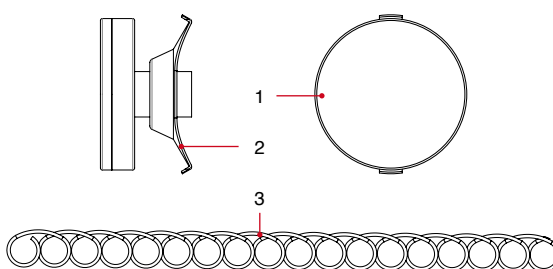


CODE	PACKING
492N	12/408

TECHNICAL SPECIFICATIONS

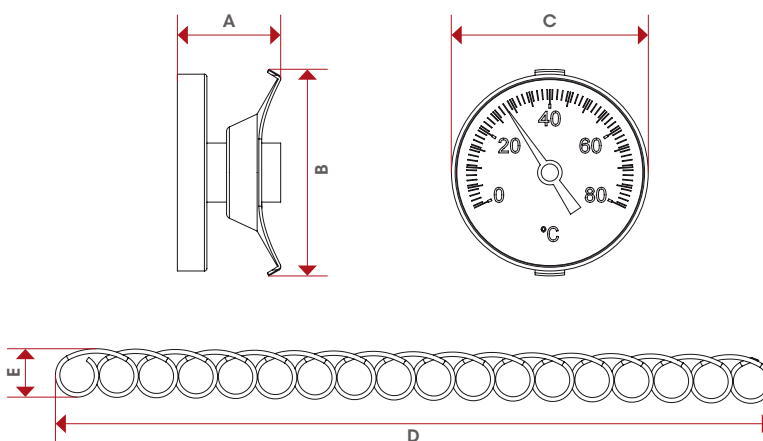
Suitable for stainless steel and brass bar distribution manifolds
Available diameter: mm. 40
Scale: 0°C - 80°C

MATERIALS



POS.	DESCRIPTION	N.	MATERIAL
1	Thermometer	1	ABS
2	Bracket	1	Stainless steel AISI 304
3	Spring	1	Stainless steel AISI 302

OVERALL DIMENSIONS



A	19,5
B	42
C	40,5
D	125
E	10,5





NOTES

A series of horizontal dashed lines for taking notes.



ITAP S.p.A.
Via Ruca 19
25065 Lumezzane
Brescia (ITALIA)
Tel 030 89270
Fax 030 8921990
www.itap.it - info@itap.it