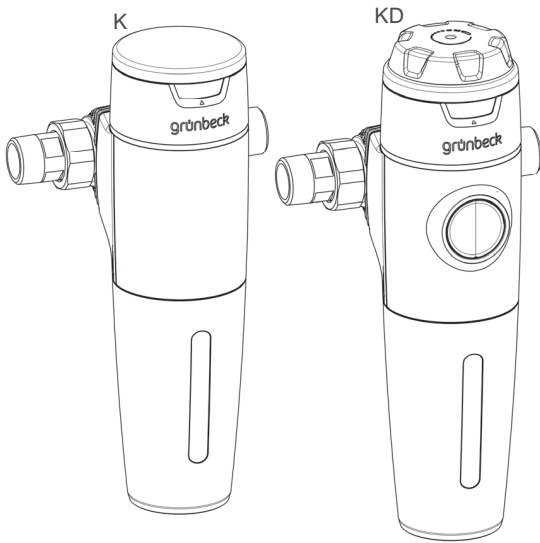
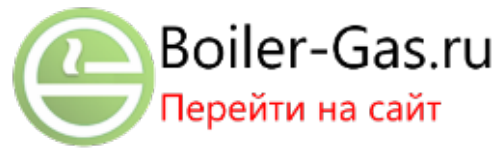


• Product Data Sheet

Fine filter pureliQ:K

Fine filter pureliQ:KD



Fine filter pureliQ:K Fine filter pureliQ:KD

Intended use

The fine filters pureliQ:K and pureliQ:KD are designed for the filtration of drinking and industrial water.

The fine filter pureliQ:KD with pressure reducer in addition is suitable for the adjustment of the after-pressure on the withdrawal side.

The filters can be used for positive pressure and negative pressure applications. The adjustment of the after-pressure on the withdrawal side, however, only works when applied in the positive pressure range.

The filters are not suitable for circulation water that is treated with chemicals.

They are neither suitable for oils, greases, solvents, soaps and other lubricating media, nor for the separation of water-soluble substances.

The fine filters pureliQ:K and pureliQ:KD are designed according to the stipulations of DIN EN 13443-1 and DIN 19628 and are intended for installation into drinking water pipes according to DIN EN 806-2 (installation immediately downstream of the water meter).

They protect the water pipes and connected water-carrying system

parts from disturbances and corrosion damage due to undissolved impurities (particles), such as rust particles, sand, etc.

Function

The unfiltered drinking water flows into the filter from the inlet side and then from the outside in through the filter element and to the pure water outlet. Thus, foreign particles of a size > 100 µm are retained.

Depending on their size and weight, the foreign particles either stick to the filter element or they fall straight down into the filter cylinder.

By means of the flow-optimised pressure reducer of the fine filter pureliQ:KD, which is designed according to DIN EN 1567, the after-pressure on the withdrawal side can be set to 1 - 6 bar (factory setting: 4 bar)

Design

- Closed, easy-to-clean system surface.
- Removable cover to protect the filter cylinder and filter element from UV light.
- Inspection window integrated in the cover to determine the degree of impurities in the filter element.
- Filter head made of pressure-resistant plastic with clearly legible interval indicator for the

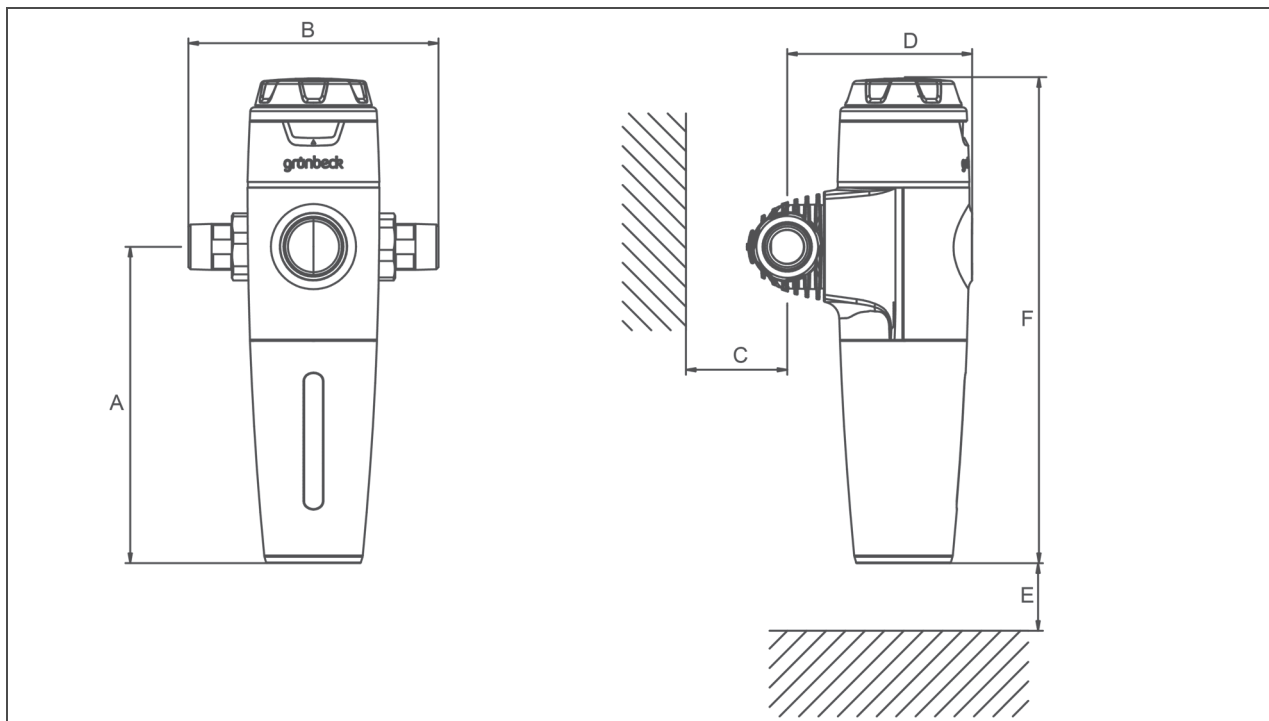
replacement of the filter element.

- For the replacement of the filter element, the filter cylinder can be removed without any tools.
- Filter element made of plastic fabric.
- Rotatable click-type connection flange for easy installation according to the flow direction prevailing on site.
- Water meter screw connections made of dezincification-resistant brass.
- In order to set and indicate the after-pressure on the outlet side, a pressure reducer with pressure gauge is integrated in the filter head of the pureliQ:KD.
- All water contacting parts comply with the German Drinking Water Ordinance. Test regulations: KTW, DVGW W 270, DIN 50930-6.

Scope of supply

- Fine filter pureliQ:K or pureliQ:KD, complete with filter element and pre-assembled click-type connection flange
- Water meter screw connection
- Seals
- Operation manual

Technical specifications I



Dimensions and weights		pureliQ:K			pureliQ:KD		
A	Height up to centre of connection [mm]				235		
B	Installation length with/without screw connection [mm]	185/100	182/100	191/100	185/100	182/100	191/100
C	Min. distance to wall [mm]			50			
D	Installation depth up to centre of connection [mm]	135	135	145	135	135	145
E	Clearance required for replacement of filter element [mm]			150			
F	Total height [mm]	335	335	335	355	355	355
	Empty weight [kg]	1.4	1.6	1.8	1.6	1.8	2.0
	Operating weight, approx. [kg]	1.9	2.1	2.3	2.1	2.3	2.5
	Order no.	101 220	101 225	101 230	101 270	101 275	101 290

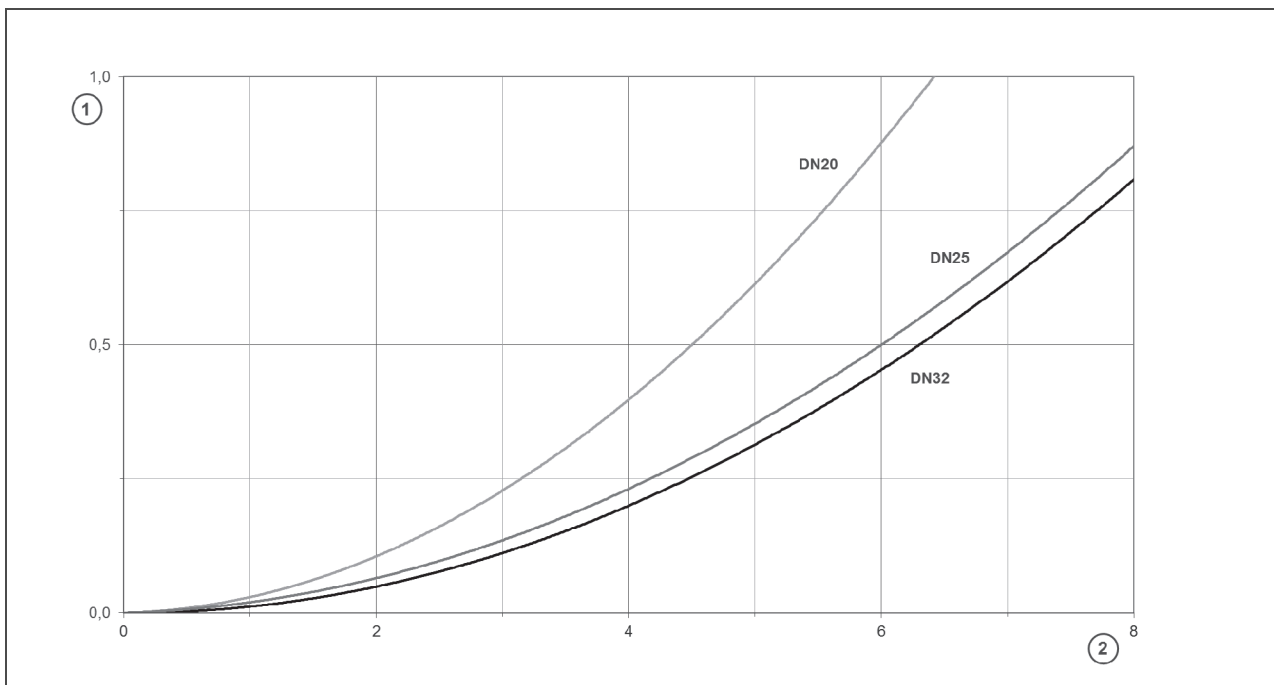
Technical specifications II

Connection data	pureliQ:K			pureliQ:KD		
	DN 20	DN 25	DN 32	DN 20	DN 25	DN 32
Nominal connection diameter	DN 20	DN 25	DN 32	DN 20	DN 25	DN 32
Connection diameter	¾"	1"	1¼"	¾"	1"	1¼"

Performance data							
Nominal flow at Δp 0.2 (0.5) bar	[m³/h]	2.8 (4.5)	3.7 (6.0)	4.0 (6.3)	-	-	-
Flow rate as per DIN EN 1567	[m³/h]	-	-	-	2.3	3.6	5.8
K _V value	[m³/h]	6.5	8.5	9.1	-	-	-
Pore size	[µm]	100					
Largest/smallest pore size	[µm]	120/80					
Nominal pressure		PN 16					

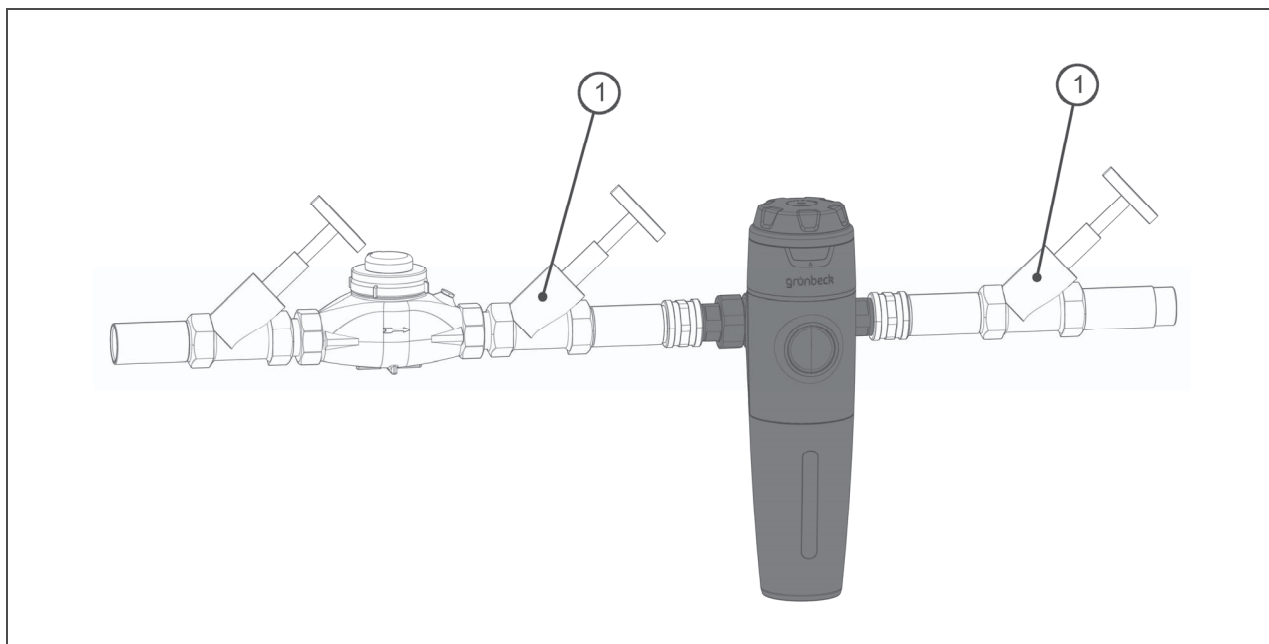
General							
Water temperature	[°C]	5 – 30					
Ambient temperature	[°C]	5 – 40					
DVGW registration number		pending					
SVGW certificate number		pending					
Order no.		101 220	101 225	101 230	101 270	101 275	101 290

Pressure loss curve of pureliQ:K



Item	Description	Item	Description
1	Differential pressure [bar]	2	Flow rate [m³/h]

Installation example



Item	Designation	Item	Designation
1	Shut-off valve		

Installation requirements

Observe local installation directives, general guidelines and technical specifications.

The installation site must be frost-proof and ensure the filter's protection from chemicals, dyes, solvents, vapours and direct sunlight.

The installation site must be well accessible for maintenance purposes.

Consumables

101 272 Filter element A17/1 100 µm

For fine filter pureliQ:K and fine filter pureliQ:KD.

Contact

Grünbeck Wasseraufbereitung
GmbH
Josef-Grünbeck-Str. 1
89420 Hoechststedt/Germany

+49 9074 41-0
+49 9074 41-100

info@gruenbeck.com
www.gruenbeck.com