



STRAINER FOR DOMESTIC SYSTEMS



Art. 3932 - 3933 - 3934 - 3944



Art. 3936 - 3937 - 3945 - 3946



Art. 3940 - 3941 - 3947 - 3948



Art. 3930 - 3931



Art. 3934 - 3935



Art. 3938 - 3939

Available in the following sizes: 1/2", 3/4", 1", 1 1/4" and in brass or chrome-plated version, with or without pressure gauges.

1. DESCRIPTION

The body of the FAR strainer for domestic systems is fabricated entirely from Dezincification Resistant (DZR) brass. It is a known fact that components made of standard brass can suffer corrosion from stagnant water, or water rich in oxygen and carbon dioxide.

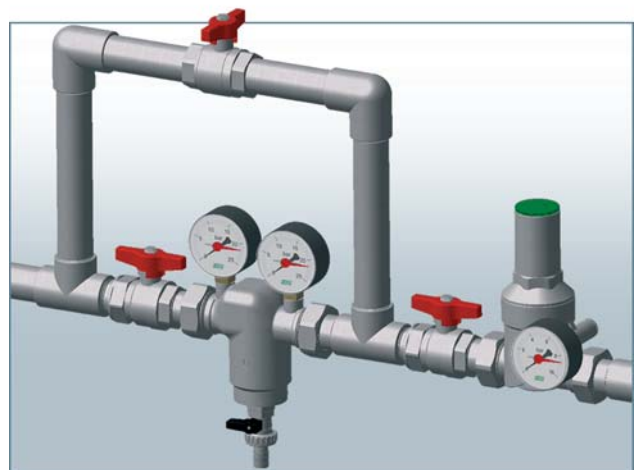
DZR brass guarantees working life and cleaner water in the system.

Strainers are available in the following sizes: 1/2"-3/4"-1"-1 1/4" and in male-male, male-female, female-female versions.

2. INSTALLATION

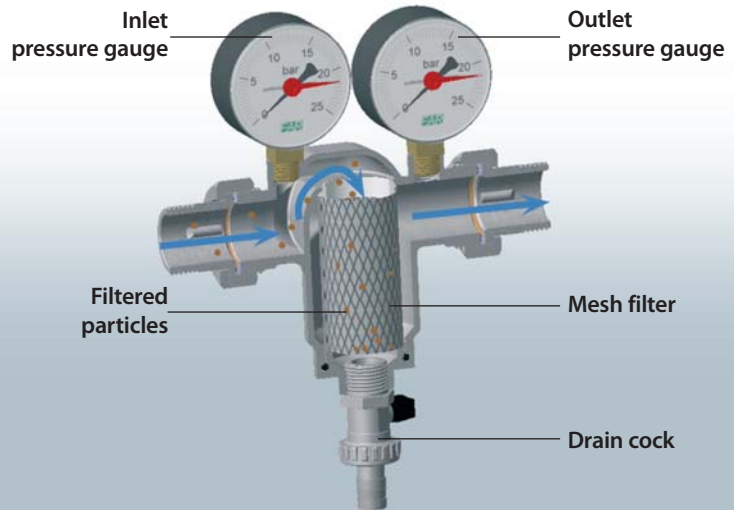
It is essential to install a strainer at the system inlet, after the water meter and before the pressure reducing valve in order to protect the whole system from any impurity, that, in the course of time, could damage components and/or impair system function.

The configuration shows a typical strainer application, which guarantees along with a cleaning of the pressure reducing valve also a lasting full efficiency of it. With such kind of installation it is also possible to wash out the filter mesh by using a "back-flush" technique.



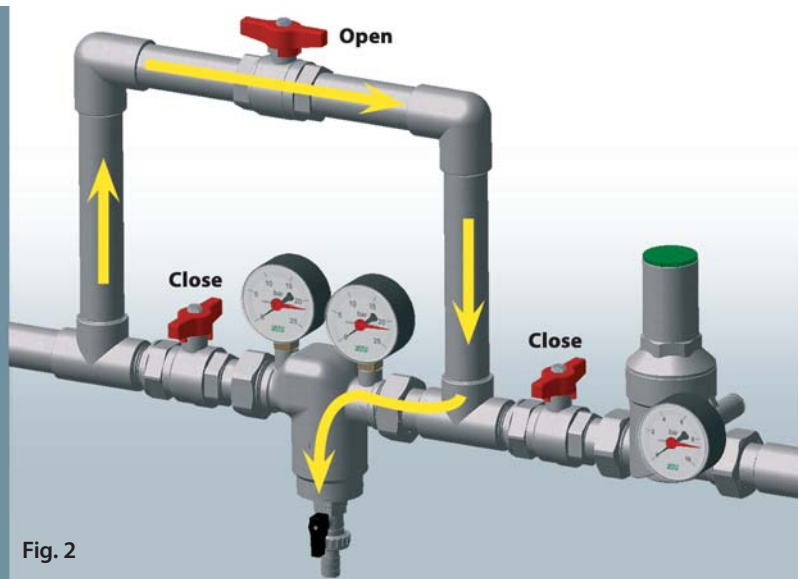
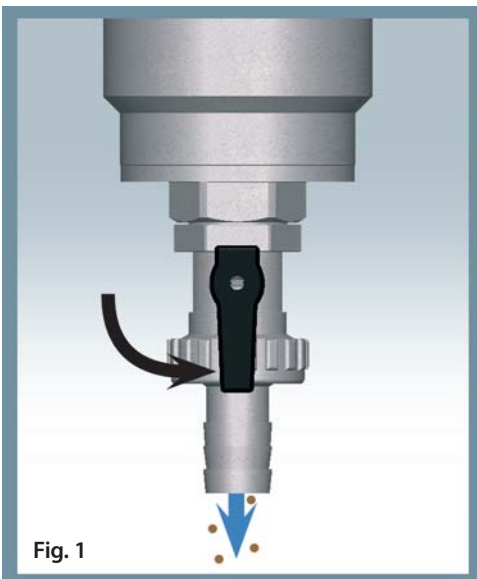
3. FUNCTIONING

Water entering the strainer is guided in a radial path, so that it penetrates the filter mesh at high level. Any debris and impurities in the fluid stream stick to the mesh, or fall down into the drain cock. It is essential to clean the filter regularly to maintain full efficiency.



4. MAINTENANCE

Cleaning is made easier by the fact that it is possible to open the drain cock located in the inferior section and let the water flow out, thus discharging the particles accumulated in the bottom of the strainer (Fig.1) It is also possible to wash out the strainer by using a "back-flush" technique (Fig.2), which detaches any impurities from the filter mesh faces.



For a more thorough cleaning it is necessary to extract the internal filter, unscrewing the plug seal with a 26 mm key. The internal filter is composed of two meshes, one fine internal mesh to catch suspended particles, and a coarser, outer one which reinforces the filter structure, allowing it to perform well in even the worst operating conditions ie with high flows and high levels of clogging.



5. SPARE PARTS AND ACCESSORIES

Art. 3949

Spare cartridge for 1/2" strainer
- 300 µm filtration level

Available by request with
100 and 700 µm filtration level

Art. 3942

Spare cartridge for 3/4" - 1" - 1 1/4" strainer
- 300 µm filtration level

Available by request with
100 and 700 µm filtration level


Art. 2500

Radial pressure gauge with G1/4 connection
R25 Ø 63 mm for 3/4" - 1" - 1 1/4" strainer

Art. 2501

Radial pressure gauge with G1/4 connection
R25 Ø 50 mm for 1/2" strainer

The "SMALL" actuator can be installed at the inlet to the domestic system, just after the water meter. It can be activated by a switch, so every time you leave the house, for even a brief period, you can turn off water supplies from the mains. No need to worry ever again about possible damage from a forgotten open tap.

Art. 3964 - 3965


Pre-assembled chrome-plated control unit for water main delivery complete with:

- strainer for domestic services
 - pressure reducing valve
- Art. 3965 complete with pressure gauges

Art. 3960 - 3961 - 3962 - 3963

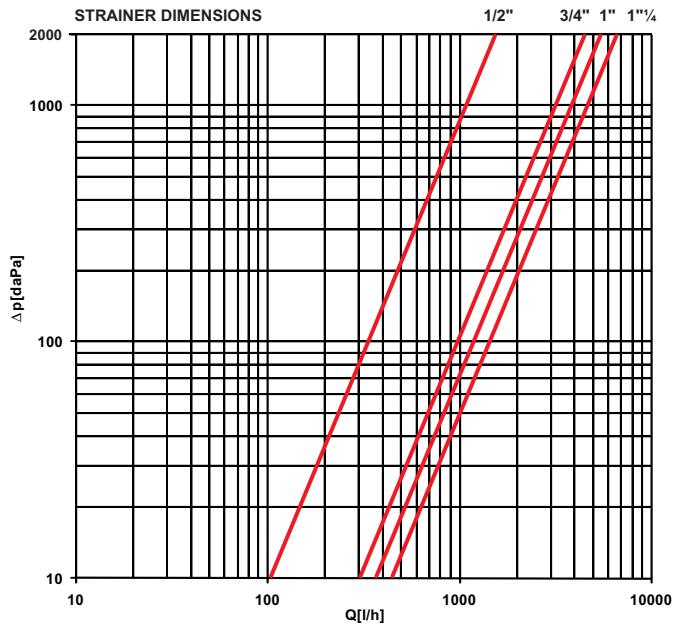

Pre-assembled chrome-plated control unit for water main delivery complete with:

- motorized ball zone valve with manual release (230V Art. 3960 and 3961) (24V Art. 3962 and 3963)
 - strainer for domestic services
 - pressure reducing valve
- Art. 3961 - 3963 complete with pressure gauges

6. TECHNICAL FEATURES

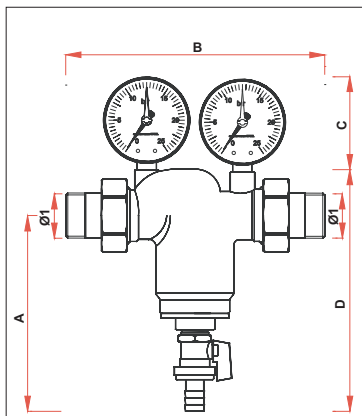
Body material:	CC752S Dezincification Resistant (DZR) brass
Mesh filter material:	AISI 304 steel
Filtration level:	100 - 300 - 700 µm
Max working pressure:	25 bar
Max working temperature:	95°C
Connection sizes:	1/2" - 3/4" - 1" - 1 1/4"
Available versions:	Male-male
	Male-female
	Female-female

7. FLUID-DYNAMIC FEATURES

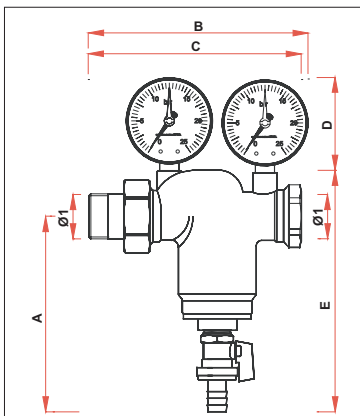


1/2" strainer $K_v = 1,48 \text{ m}^3/\text{h}$
 3/4" strainer $K_v = 4,28 \text{ m}^3/\text{h}$
 1" strainer $K_v = 5,56 \text{ m}^3/\text{h}$
 1 1/4" strainer $K_v = 6,18 \text{ m}^3/\text{h}$

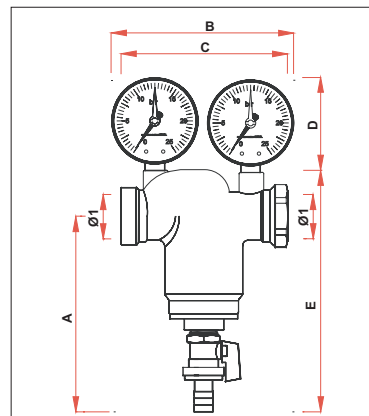
8. DIMENSIONAL FEATURES



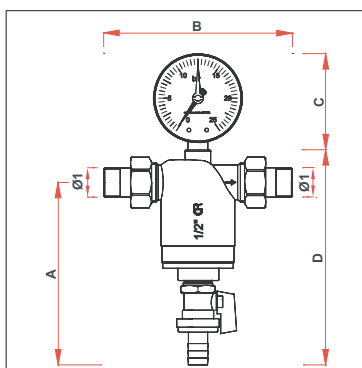
CODE	Ø1	A	B	C	D
3930 34	G3/4	125	180	--	154
3931 34	G3/4	125	180	70	154
3932 34	G3/4	125	180	--	154
3933 34	G3/4	125	180	70	154
3930 1	G1	140	190	--	175
3931 1	G1	140	190	70	175
3932 1	G1	140	190	--	175
3933 1	G1	140	190	70	175
3930 114	G1 1/4	150	200	--	186
3931 114	G1 1/4	150	200	70	186
3932 114	G1 1/4	150	200	--	186
3933 114	G1 1/4	150	200	70	186



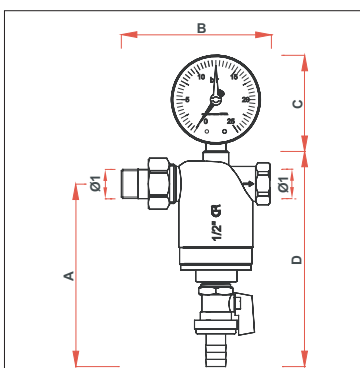
CODE	Ø1	A	B	C	D	E
3934 34	G3/4	125	--	153	--	154
3935 34	G3/4	125	156	153	70	154
3936 34	G3/4	125	--	153	--	154
3937 34	G3/4	125	156	153	70	154
3934 1	G1	140	--	156	--	175
3935 1	G1	140	162	156	70	175
3936 1	G1	140	--	156	--	175
3937 1	G1	140	162	156	70	175
3934 114	G1 1/4	150	--	165	--	186
3935 114	G1 1/4	150	163	165	70	186
3936 114	G1 1/4	150	--	165	--	186
3937 114	G1 1/4	150	163	165	70	186



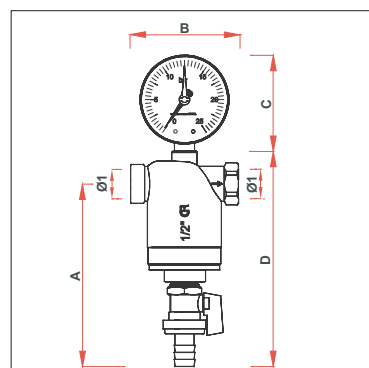
CODE	Ø1	A	B	C	D	E
3938 34	G3/4	125	--	122	--	154
3939 34	G3/4	125	132	122	70	154
3940 34	G3/4	125	--	122	--	154
3941 34	G3/4	125	132	122	70	154
3938 1	G1	140	--	122	--	175
3939 1	G1	140	132	122	70	175
3940 1	G1	140	--	122	--	175
3941 1	G1	140	132	122	70	175
3938 114	G1 1/4	150	--	126	--	186
3939 114	G1 1/4	150	132	126	70	186
3940 114	G1 1/4	150	--	126	--	186
3941 114	G1 1/4	150	132	126	70	186



CODE	Ø1	A	B	C	D
3943 12	G1/2	126	132	--	150
3944 12	G1/2	126	132	70	150



CODE	Ø1	A	B	C	D
3945 12	G1/2	126	102	--	150
3946 12	G1/2	126	102	70	150



CODE	Ø1	A	B	C	D
3947 12	G1/2	126	75	--	150
3948 12	G1/2	126	75	70	150