

#### Application:

Oventrop compact distributor for the connection of the "Regumat" stations DN 25 ("Regumat" DN 32 with reducers).

Consisting of distributor and thermal insulation.

The distributor is, for instance, used for volume flow distribution from the heat generator to several heating circuits.

#### Advantages:

- space-saving installation
- simple installation
- problem-free water distribution even for small performance ranges

#### Models:

for 2 heating circuits

Wall bracket set

#### Item no.:

1351571

1351592

#### Materials:

Distributor:

Bronze

Thermal insulation:

Expanded polypropylene

Wall bracket:

Steel, galvanised

#### Connections:

To heating circuit: G 1½ collar nut, flat sealing

To boiler: G 1½ male thread, flat sealing

End connection: G 1 female thread

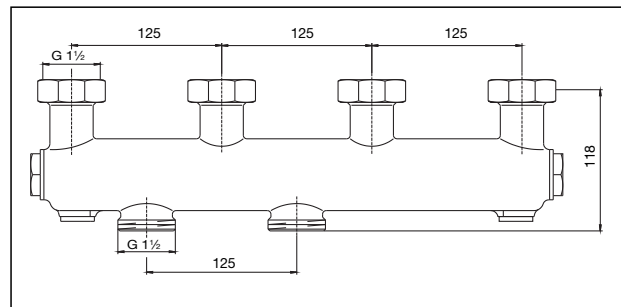
#### Technical data:

Max. operating pressure: 4 bar

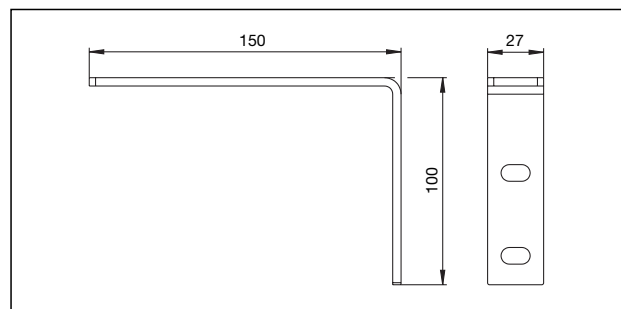
Max. operating temperature: 110 °C

Max. flow rate: 4 m³/h

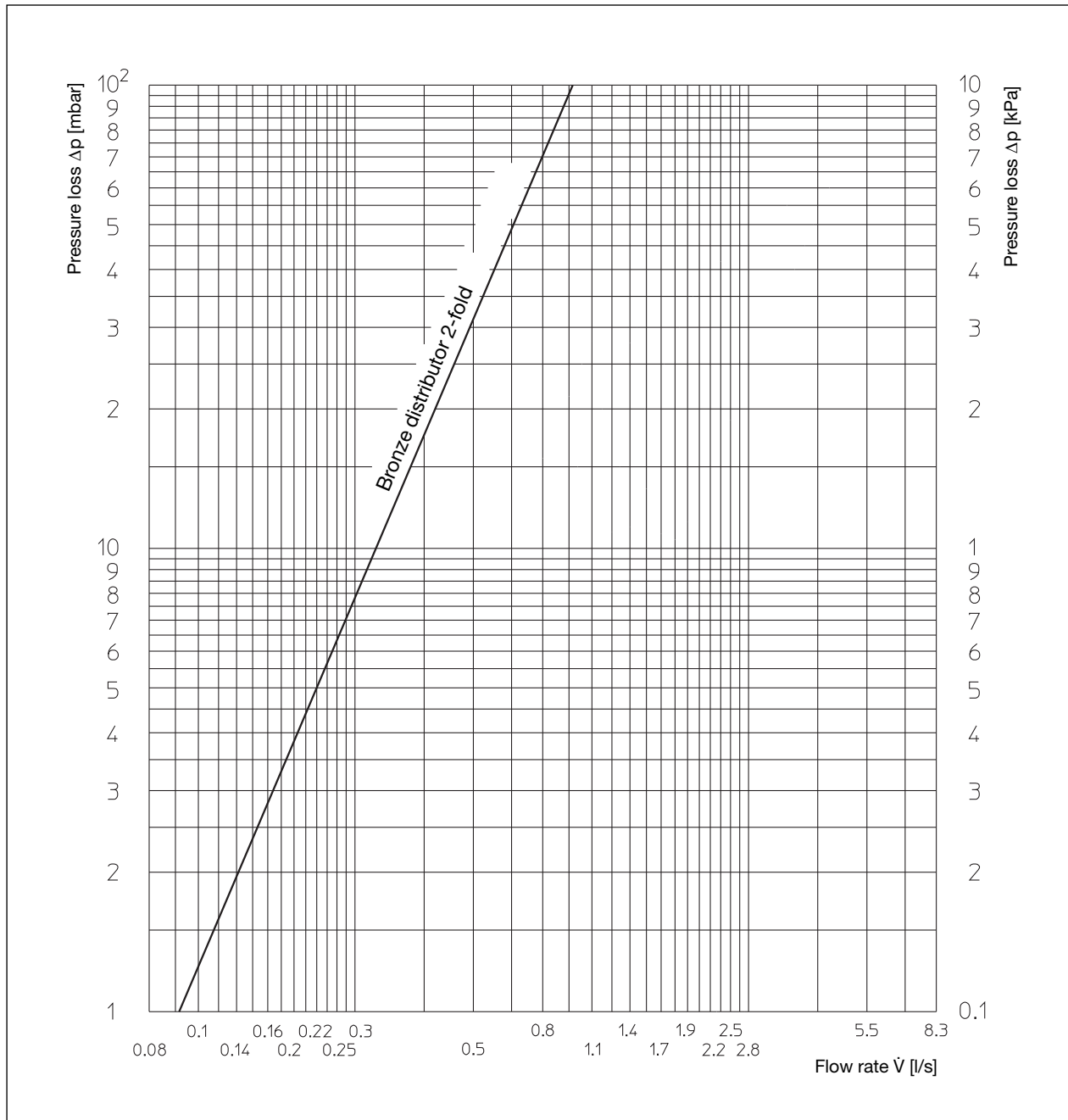
Recommended application range: Max. 95 kW ( $\Delta T = 20$  K)



Dimensions distributor DN 25, 2-fold



Dimensions wall bracket



Flow chart

OVENTROP GmbH & Co. KG  
 Paul-Oventrop-Straße 1  
 D-59939 Olsberg, Germany  
 Phone +49 (0)29 62 82-0  
 Fax +49 (0)29 62 82-450  
 E-Mail mail@oventrop.de  
 Internet www.oventrop.de

For an overview of our global presence  
 visit [www.oventrop.de](http://www.oventrop.de).

Subject to technical modification without notice.

Product range 6  
 ti 254-EN/10/MW  
 Edition 2015