

DIRECT DISTRIBUTION GROUP

Description



This preassembled pump group is part of the **Barberi® trolli HEATING** line. This distribution group is a direct line that allows the circulation of the thermal fluid, coming from the primary circuit. As this group doesn't make thermal regulations, it's appropriate when the supply temperature of the primary circuit it's the same of the one required from the consumer. The direct group is optimal both for supplying heating circuit or conditioning. The group is composed of pump, shut-off valves supply/return side, shut-off valves at pump inlet, supply/return side thermometer, check valve anti-recirculation, thermal insulation.



Product range

Direct distribution group	01G	XXX	XX	X
Upper connections G1"1/4F		032		
Without fittings			00	
Fittings with running connection*			01	
Grundfos pump UPM3 Auto L 32-70 180				E
Grundfos pump UPSO 32-65 180				T
▶ Grundfos pump UPML 32-95				F
Without pump				X

* see fittings
▶ on demand

Features

Max. and minimum working temperature: **5 °C – 90 °C**
 Pump: **Grundfos UPM3 Auto L 32-70 180**
Grundfos UPSO 32-65 180
Grundfos UPML 32-95 180 (▶ on demand)
 Suitable fluids : **water for heating plants, glycol water(max 30%)**
 Connections to circuits: **threaded connections ISO 228/1**

Material

Ball valve

- Valve's body: **brass UNI EN 12165 - CW617N**
- Gasket: **PTFE, EPDM, FIBER**

Pump

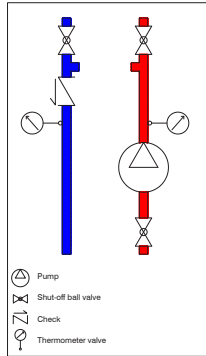
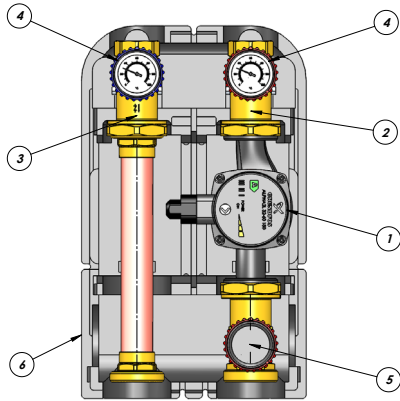
- Pump's body: **cast iron**

Insulation shell

- Insulation's body: **EPP**
 Density: 60 kg/m³
 Thermal conductivity 0,039W/mK(20°C)
 Thermal conductivity 0,041W/mK(40°C)

DIRECT DISTRIBUTION GROUP

Components

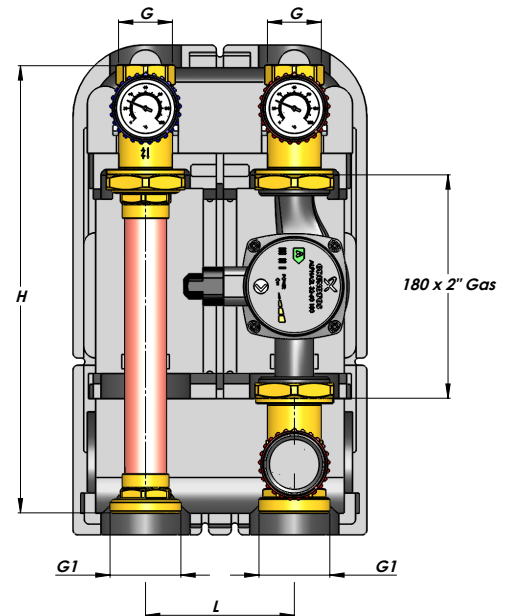
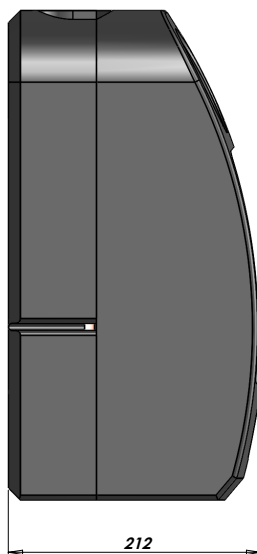
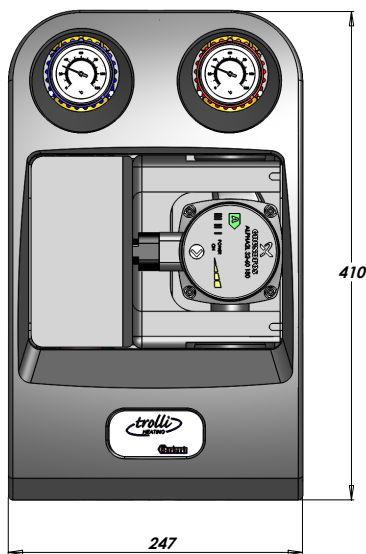


art. 01G-DN32		
1	Pump	Grundfos Grundfos UPM3 Auto L 32-70 180
		Grundfos Pump UPSO 32-65 180
		▶ Grundfos Pump UPML 32-95 180
2	Shut-off ball valve	
3	Shut-off ball valve with check valve	
4	Thermometer	
5	Shut-off ball valve	
6	Insulation shell	

▶ on demand



Dimensions



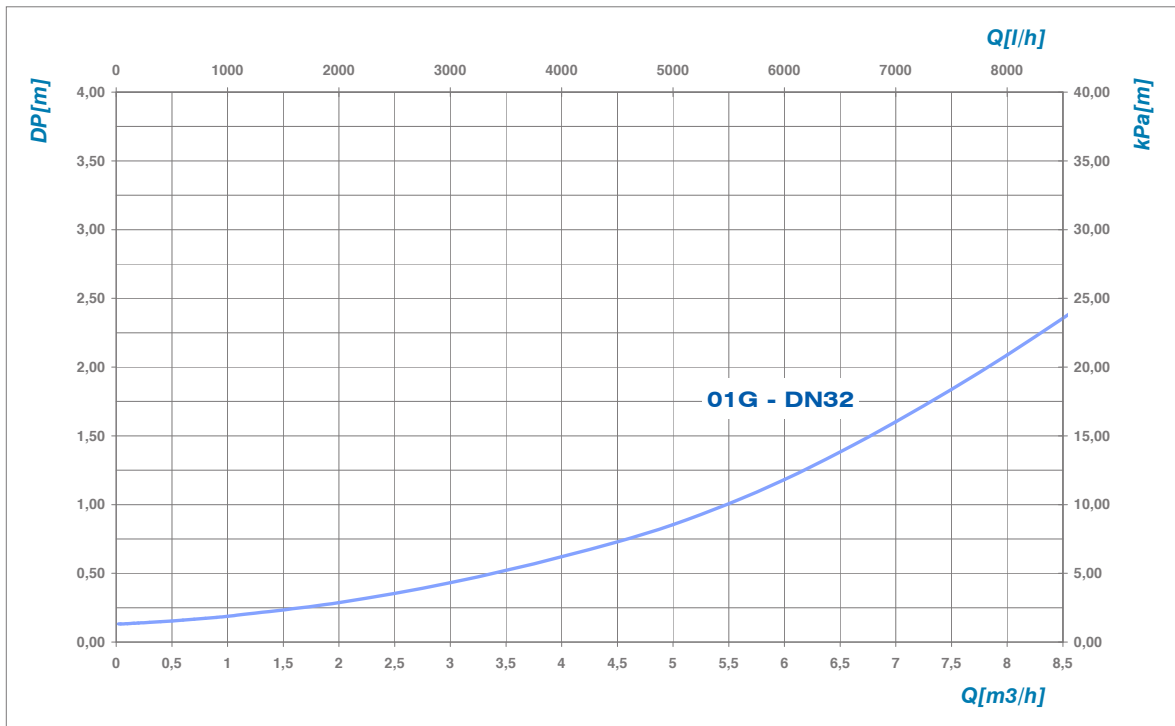
Code	P [bar]	G	G1	L	H	Pump	Weight	N. P/B	N. P/C
01G 032 00X	10	G 1"1/4 F	G 2" M	125	375	without Pump	3595	-	1
01G 032 00W	10	G 1"1/4 F	G 2" M	125	375	Grundfos UPM3 Auto L 32-70 180	5670	-	1
01G 032 00T	10	G 1"1/4 F	G 2" M	125	375	Grundfos UPSO 32-65 180	5995	-	1
▶ 01G 032 00F	10	G 1"1/4 F	G 2" M	125	375	Grundfos UPML 32-95	6495	-	1

Weight (grams) - N. P/B: number of pieces in box, plastic bag - N. P/C: number of pieces in carton
▶ on request

DIRECT DISTRIBUTION GROUP

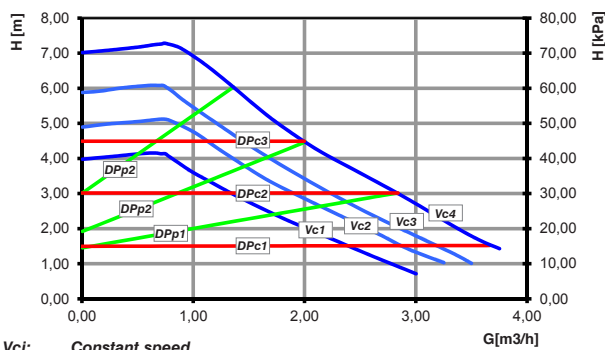
Diagrams

Pressure drop of direct distribution group



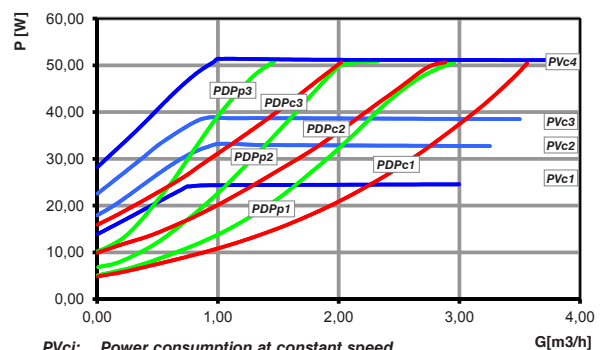
Head and power consumption of the pumps

Head of Grundfos pump UPM3 AUTO L 32-70 180



Vci: Constant speed
 DPPi: Proportional pressure
 DPCi: Constant pressure

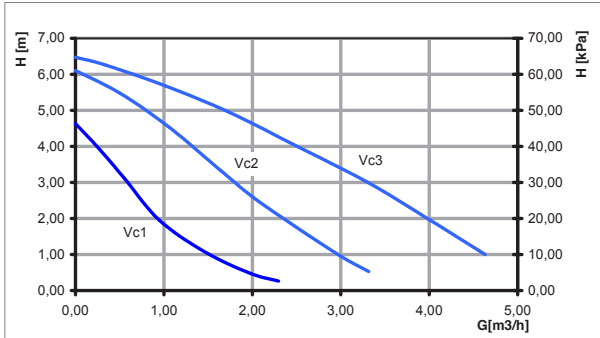
Power of Grundfos pump UPM3 AUTO L 32-70 180



PVci: Power consumption at constant speed
 PDPpi: Power consumption at proportional pressure
 PDPci: Power consumption at constant pressure

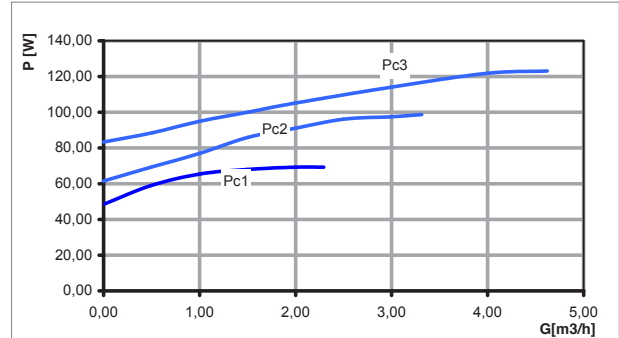
DIRECT DISTRIBUTION GROUP

Head of Grundfos pump UPSO 32-65 180



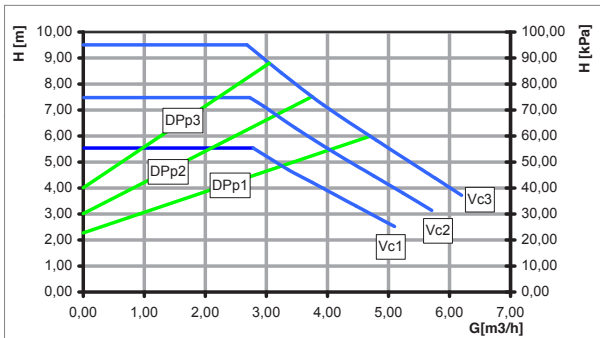
Vci: Constant speed

Power of Grundfos pump UPSO 32-65 180



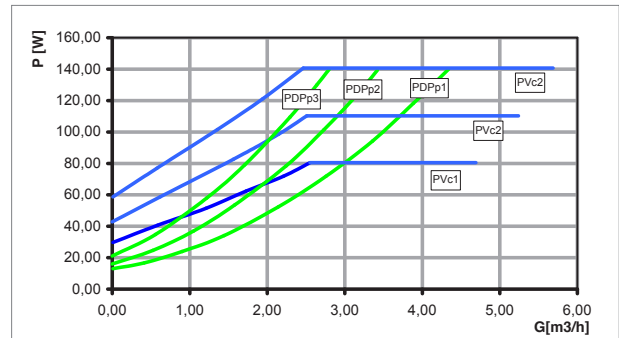
PVci: Power consumption at constant speed

Head of Grundfos pump UPML 32-95 180



Vci: Constant speed
DPPi: Proportional pressure
DPci: Constant pressure

Power of Grundfos pump UPML 32-95 180



PVci: Power consumption at constant speed
PDPpi: Power consumption at proportional pressure
PDPci: Power consumption at constant pressure

DIRECT DISTRIBUTION GROUP

Specifications

The specification's text refers to a specific article reference. Each version of the product obliges the engineer to modify the specification's text

Art.Ref. 01G 032 00X

Direct distribution group with 2" G male connections with plane gaskets on primary circuit and 1"1/4 G female on the secondary circuit. Distance between connections of delivery and return: 125mm. Height of delivery and return side: 375mm. Dimensions of the group with shell: 247, 410, 212, (width, height, depth). The group is composed of : shut-off ball valves of secondary circuit in delivery and return, check valve on return side, shut-off ball valve of primary circuit on delivery side, thermometer in the delivery and return with 0-120°C scale. Without pump. Shell in EPP black colour 60 kg/m³. Maximum temperature of the thermal fluid 90°C. Maximum working pressure of thermal fluid 10bar.

Art.Ref. 01G 032 00W

Direct distribution group with 2" G male connections with plane gaskets on primary circuit and 1"1/4 G female on the secondary circuit. Distance between connections of delivery and return: 125mm. Height of delivery and return side: 375mm. Dimensions of the group with shell: 247, 410, 212, (width, height, depth). The group is composed of : shut-off ball valves of secondary circuit in delivery and return, check valve on return side, shut-off ball valve of primary circuit on delivery side, thermometer in the delivery and return with 0-120°C scale. High efficiency pump (EUP ready) Grundfos UPM3 AUTO L 32-70 180, power supply 230V (50Hz). Shell in EPP black colour 60 kg/m³. Maximum temperature of the thermal fluid 90°C. Maximum working pressure of thermal fluid 10bar.

Art.Ref. 01G 032 00T

Direct distribution group with 2" G male connections with plane gaskets on primary circuit and 1"1/4 G female on the secondary circuit. Distance between connections of delivery and return: 125mm. Height of delivery and return side: 375mm. Dimensions of the group with shell: 247, 410, 212, (width, height, depth). The group is composed of : shut-off ball valves of secondary circuit in delivery and return, check valve on return side, shut-off ball valve of primary circuit on delivery side, thermometer in the delivery and return with 0-120°C scale. Pump with 3 constant speeds Grundfos UPS 32-65 180, power supply 230V (50Hz). Shell in EPP black colour 60 kg/m³. Maximum temperature of the thermal fluid 90°C. Maximum working pressure of thermal fluid 10bar.

Accessories

Art. 38D

Monobloc with pump connection (ball valve + thermometer) - thermometer 0-120°C - red handle



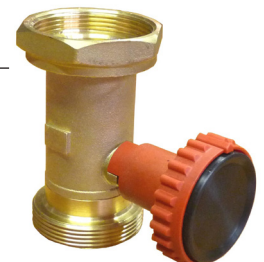
Max working temperature: 95°C

code	size	handle colour	P [bar]
▶ 38D 032 000	G 1"1/4 F - G 2" fitt.	red	10

▶ on request

Art. 50D

Ball valve with pump connection with possibility of thermometer integration



Max working temperature: 95°C

code	size	P [bar]
▶ 50D M50 000 R	G 2" fitt. - G 2" M	10

▶ on request

DIRECT DISTRIBUTION GROUP

Art. 37D

Monobloc with pump connection (ball valve + thermometer + check valve) - thermometer 0-120°C - blue handle

Max working temperature: 95 °C



code	size	handle colour	P [bar]
▶ 37D 032 000	G 1"1/4 F - G 2" fitt.	blue	10

▶ on request

Art. 42D

Bracket for wall mounting of the group, including screws and dowels.

Holes diameter: 8mm
Holes distance: 90mm



code	Distanza tubature[mm]
▶ 42D 032 Z00 I	125

▶ on request

Art. 43D

Distribution groups insulation

Material: EPP



code	size [mm]
43D 032 000	247 x 410 x 212mm

Art. 11D-120

Axial thermometer

Range di size: 0-120 °C



code	size
11D 015 000 120	Ø 50 mm

Art. 40D

Extensions

Max working temperature: 140 °C



code	size	connections distance [mm]	P [bar]
▶ 40D 050 000	G 2" M	280	10
▶ 40D 050 000 2	G 2" M	180	10

▶ on request

Art. 44D

2 fittings with flat gasket

Max working temperature: 90 °C



code	size	P [bar]
44D 032 000	G 1"1/4 F - G 2" F	10

Art. 43D

Distribution groups insulation

Material: EPP



code	size [mm]
43D 032 000	247 x 410 x 212mm

Art. 11D-120

Axial thermometer

Range di size: 0-120 °C



code	size
11D 015 000 120	Ø 50 mm

▶ Art. P28-I4/P28-I4V

Probe holder fitting - seal on fitting

Max working temperature: 95 °C
140°C (P28015000I4V)

Probe diameter: 6 mm

code	size	P [bar]
▶ P28 015 000 I4	1/2"	16
▶ P28 015 000 I4V	1/2"	16

▶ on request

DIRECT DISTRIBUTION GROUP

Art. 23A.DN32

Circolatore Grundfos UPM3 AUTO L 32-70 180 ad alta efficienza senza autoadapt (EEI < 0.23 in rispetto della direttiva EuP).

Temperatura massima di utilizzo: 110 °C

codice articolo	misura	interasse [mm]	prevalenza max [m]	P [bar]
23A 050 070 BC	G 2" M	180	7	10



Art. 05A

Grundfos Pump UPS0 32-65 with 3 constant speed

Max working temperature: 110 °C

code	size	connection distance [mm]	max head [m]	P [bar]
05A 050 065 B	G 2" M	180	6,5	10



Art. 18A

Grundfos Pump UPML 32-95 with high efficiency (EEI < 0.23 in accordance with EuP directive). With 2 m cable and rapid connector.

Max working temperature: 110 °C

code	size	connection distance [mm]	max head [m]	P [bar]
18A 050 095 B	G 1 1/2" M	180	6,5	10

