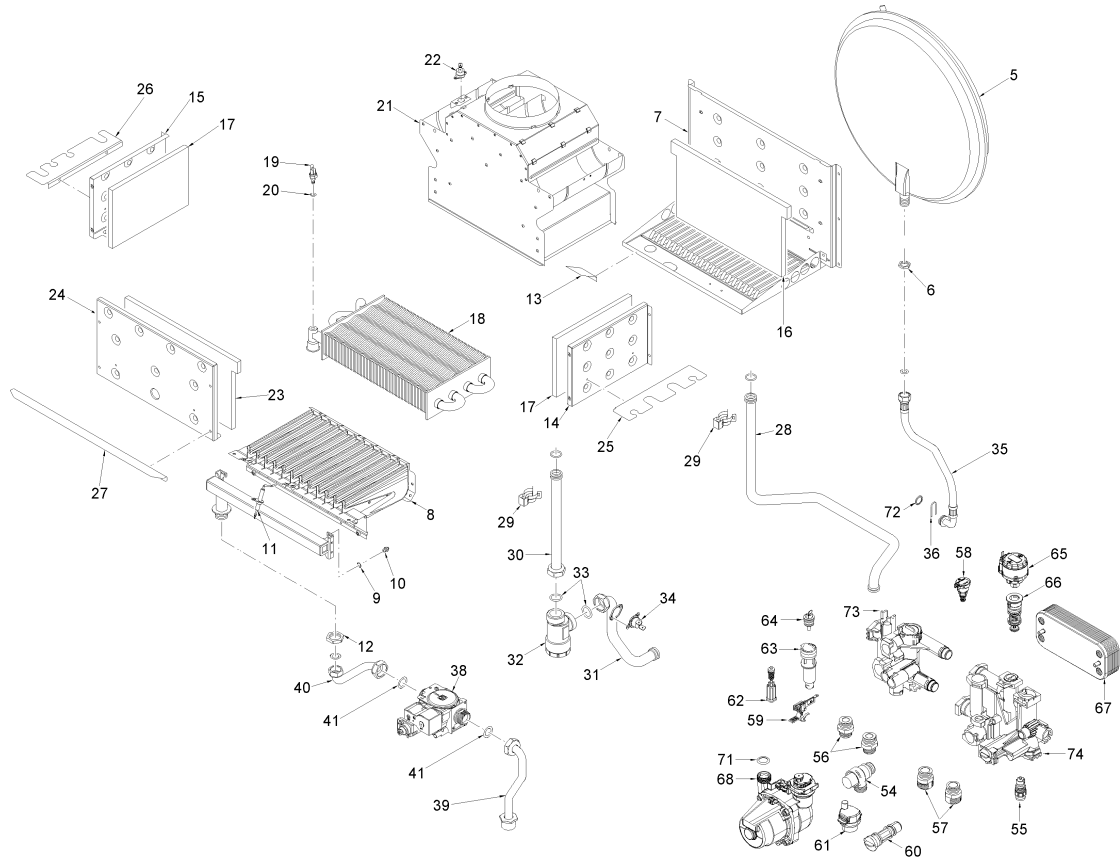
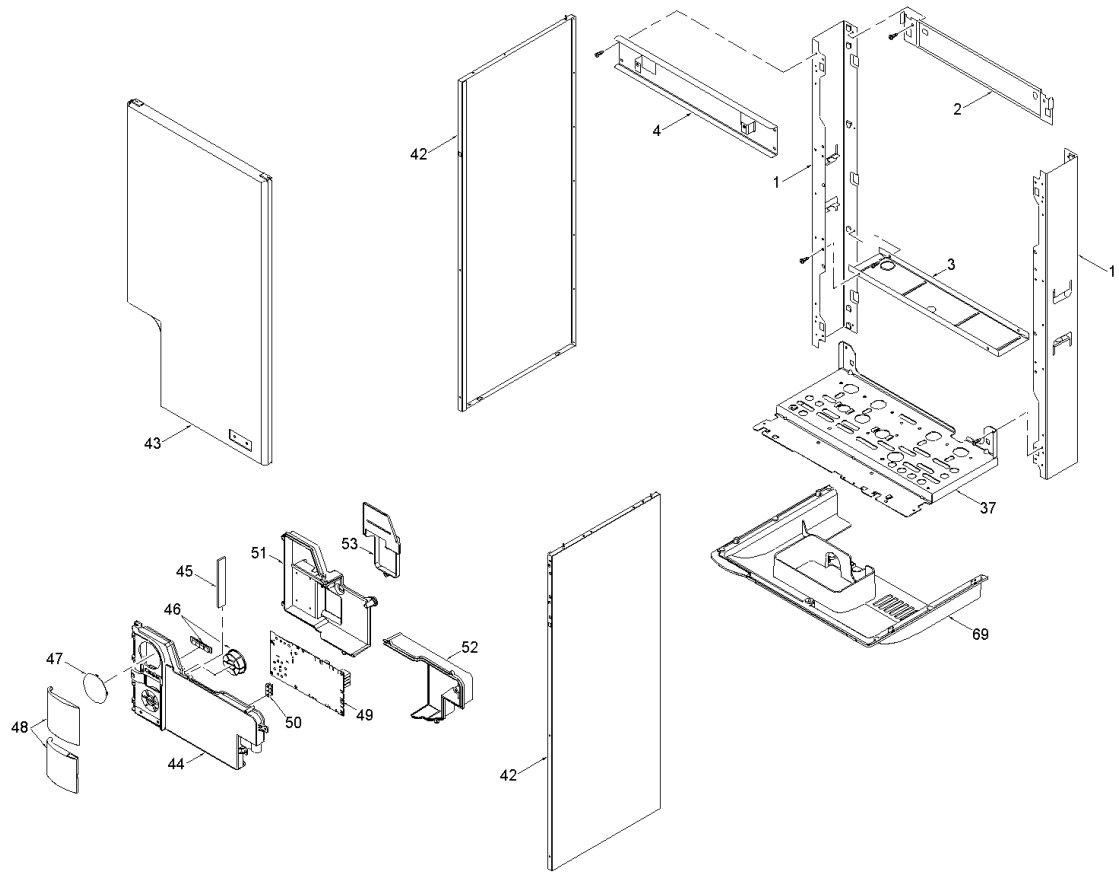


8106510 CALD.MUR.MET.MURELLE EV 25 OF





Posiz.	Codice	Descrizione
001	6138570	Side frame part
002	6138770	Frame assembly upper support
003	6255430	Expansion vessel lower support
004	6189532	Smoke chamber fixing bracket
005	5139140	Expansion vessel I.7 - 3/8" M
006	6146305	Brass Nut 3/8"
007	6288460	Combustion chamber rear support
008	5190700	Main burner assembly
009	6022004	Copper washer Ø 6
010	6154402	Main burner nozzle NP 130 natur
011	6235931	Ignition-ionisation electrode
012	6146301	Brass nut 1/2"
013	6189595	Protection bracket
014	6288500	Combust. chamber right hand sid
015	6288600	Combust. chamber left hand side
016	6139789	Combustion chamber rear insulat
017	6139774	Combustion chamber side insulat
018	6174255	Heat exchanger
019	6231351	Plunged sensor
020	6022010	Sensor gasket
021	5167570	Smoke chamber assembly
022	6146711	Limit stat 80°C
023	6139793	Combustion chamber front insula
024	6288760	Combustion chamber front panel
025	6276510	Combustion chamber R.H.S. clou
026	6276612	Combustion chamber L.H.S. clou
027	6276716	Combustion chamber front clou
028	6264843	C.H. return pipe
029	6226601	Spring for heat exchanger conne
030	6264746	Pipe conn. C.H. filter-C.H. exc
031	6264781	C.H. flow pipe
032	6295501	C.H. filter 3/4" M x 3/4" M
033	2030252	Piracriten gasket Ø 16x24,5x2
034	6146701	100°C safety stat
035	6017310	Flexible pipe
036	6226627	Expansion vassel fixing spring
037	6138892	Frame assembly lower side
038	6243833	Gas valve
039	6226886	Gas inlet pipe
040	6226960	Pipe conn. gas valve to burner
041	2030228	Gasket Ø 17x24x2
042	6304430	casing left/right side panel
043	6304230	Casing front panel

044	6304700	Control panel	
045	6305160	Guidelight with led	
046	6305120	Kit Rubber button	
047	6247327	Cap for time programmer	
048	6304890	Flap door assembly	
049	6301407	Main PCB	
050	2211610	Earth faston	
051	6305000	Cover	
052	6305010	connection cover	
053	6305020	Time programmer cover	
054	6040211	Pressure relief valve 3 bar	
055	6319603	Discharger cock	
056	6120532	D.H.W. Nipple	
057	6120533	C.H Nipple	
058	6273608	Water pressure transducer	
059	6319601	Sensor hall complete	
060	6319640	By-pass	FINO MATR.4038302230
060A	6319641	By-pass 2 (new)	DA MATR. 4038302231
061	6013182	Automatic air vent	
062	6319634	Filling cock	
063	6319633	Flowmeter without reg. of capac	
064	6231364	Plunged sensor	
065	6319620	Divertor valve motor	
066	6319625	Diverting valve body	
067	6319692	Kit 18 plate heat exchanger + o	
068	6272312	Circulating pump	
069	6269530	Fittings protection	
071	6226457	O-ring 12bis diam. 16x1,90	
072	6226464	O-ring 115 diam. 11,91x2,62	
073	6319680	D.H.W. Technyl manifold group	
074	6319681	C.H. Technyl manifold group	
700	5196855	Complete control panel	
704	6316273	5+2 pole Stocko connector	
705	6299991	4 pole cable connector CN12	
706	6316287	14 pole cable connector CN2	
707	6316274	4 pole cable connector CN9	
708	6299998	9 pole cable connector CN3	
709	6316202	Connector 4 poli CN6	
710	6281534	Gaskets kit	
711	6319699	Split pin kit for hydraulic gro	
712	6319698	O-ring kit for hydraulic group	
713	5144719	Conversion kit to LPG	
714	6269814	Ignition cable	
715	6319695	Murelle-Format-.....o-ring kit	
716	5198690	Technyl hydraulic group	