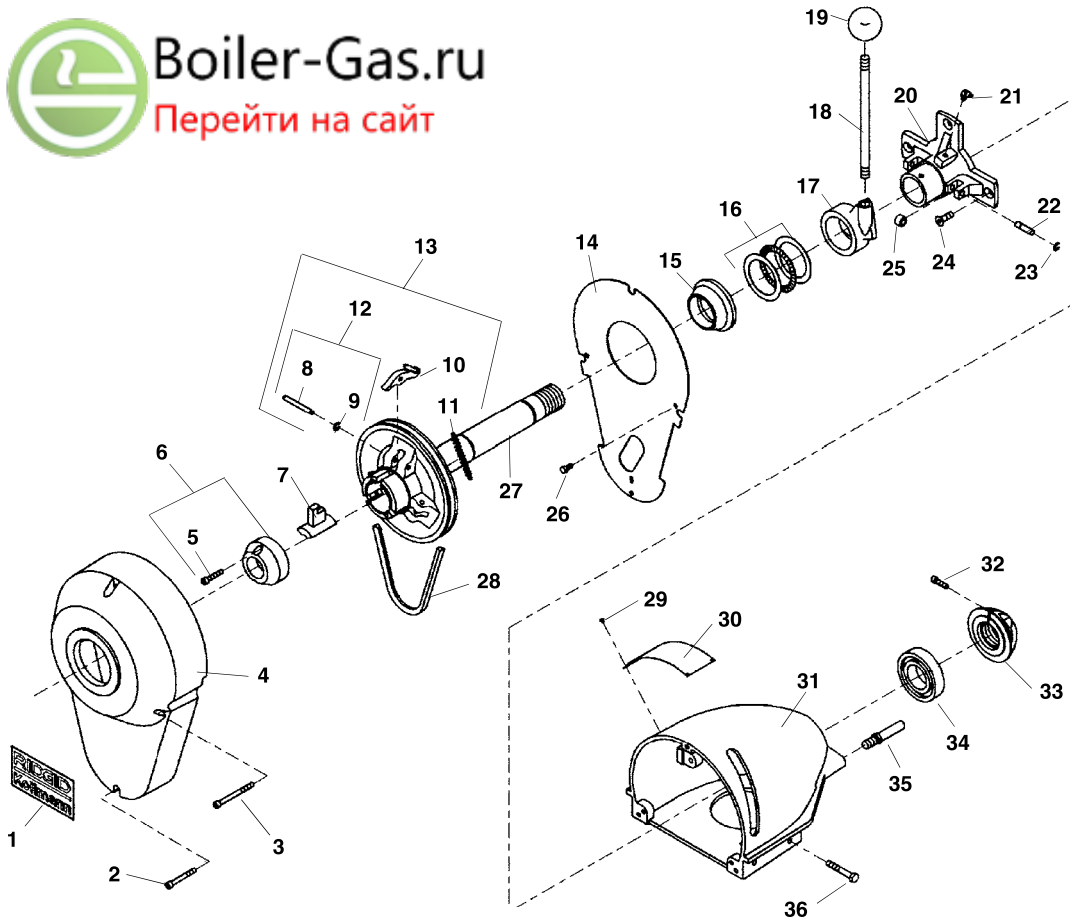


Main Components



**K-75A
K-75B
K-1500A
K-1500B
K-1500ASP
K-1500BSP**

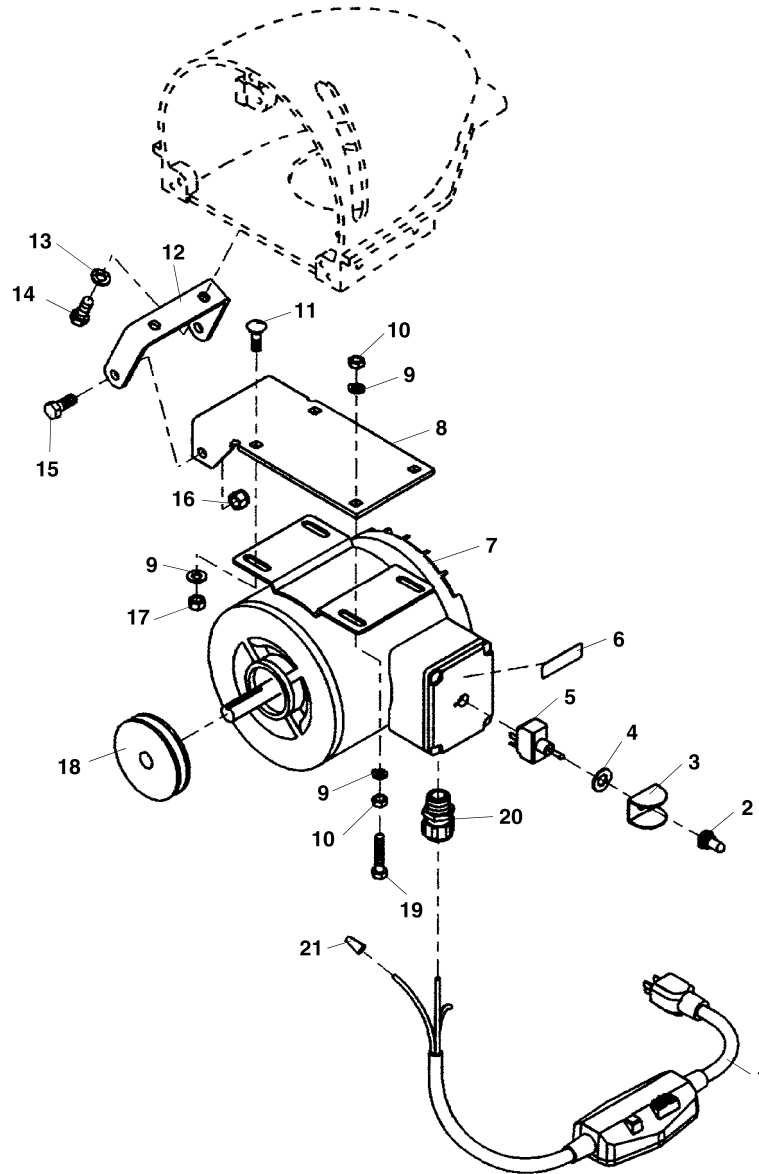


**NOTE: Order parts by Catalog Number Only.
DO NOT order by Reference Number.**

Ref. No.	Catalog No.	Description	Ref. No.	Catalog No.	Description
1	23657	Label (K-75A)	18	59575	Clutch Handle
	24102	Label (K-75B)	19	59585	Clutch Knob
	23662	Label (K-1500A)	20	23552	Main Bearing
	24097	Label (K-1500B)	20	45247	Main Bearing (SP Models Only)
	45232	Label (SP Models Only)	21	89815	Grease Fittings
2	44510	Screw	22	23592	Pin (2)
3	23652	Screw (3)	23	34175	Retaining Ring (2)
4	23547	Front Guard	24	68875	Screw (3)
5	84425	Screw (2)	25	61015	Roller (2)
6	59500	Nose Piece (Incl. Ref. #29)	26	60265	Screw (2)
7	59330	Jaw Assembly (K-75) 5/8" Cable	27	23562	Pulley & Shaft Assembly
	59325	Jaw Assembly (K-75/K-1500) 7/8" Cable	28	23577	V-Belt
	59320	Jaw Assembly (K-1500) 1 1/4" Cable	29	76730	Screw (6)
8	90105	Pin (3)	30	23632	Warning Label
9	78780	Retaining Ring		45282	Warning Label (SP Models Only)
10	59530	Rocker Arm Set	31	23542	Body
11	60155	Spring (3)	32	60910	Screw
12	60150	Rocker Arm Pin	33	60935	Lock & Adj. Nut (Incl. #2)
13	60145	Rocker Arm Kit	34	60930	Ball Bearing
14	23567	Inside Guard	35	59580	Guide Hose Pin (2)
15	23572	Clutch Cone	36	87405	Screw (4)
16	23677	Thrust Bearing Assembly		43757	Screw (4) (SP Models Only)
17	23557	Clutch Casting			

Motor Components

**K-75A
K-75B
K-1500A
K-1500B**

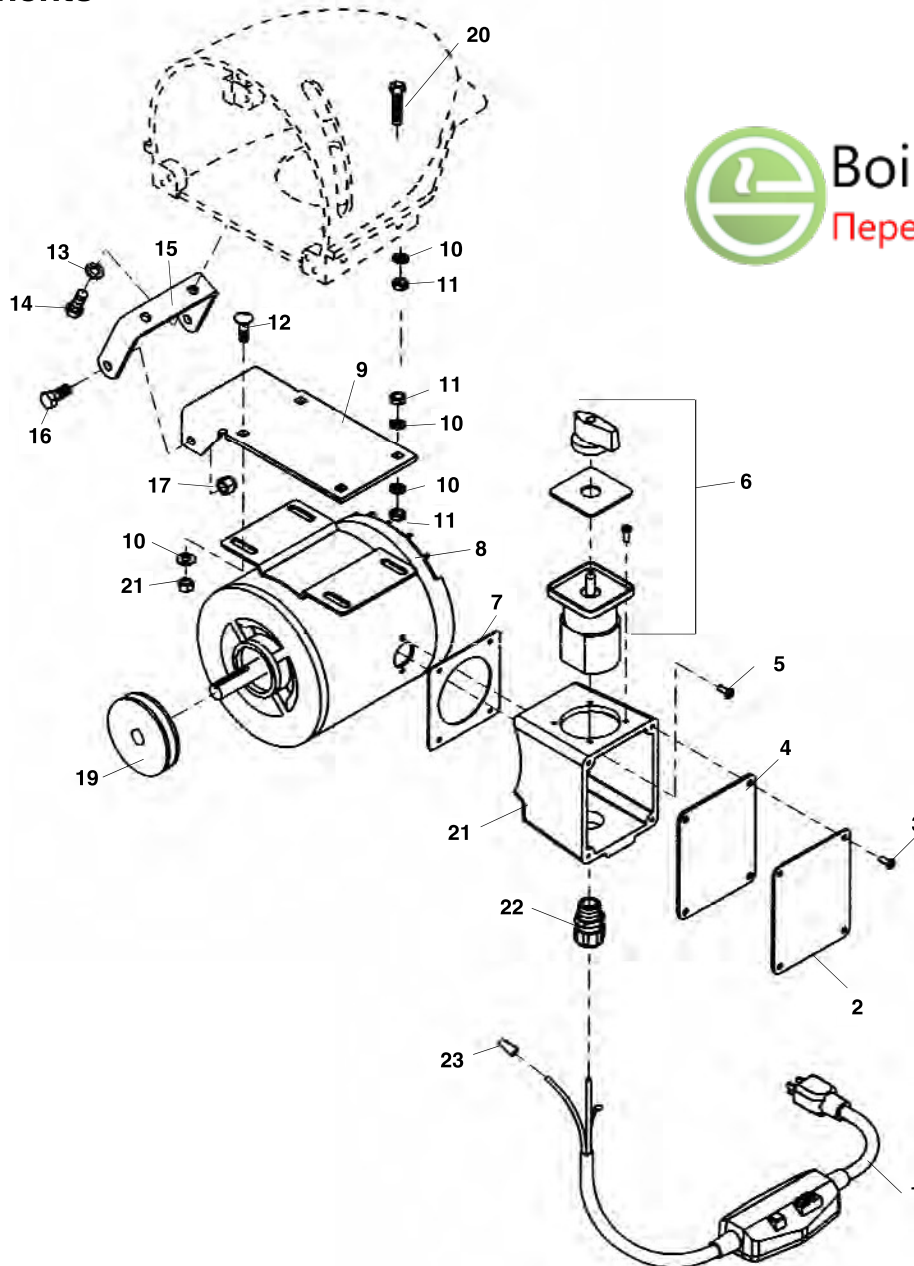


**NOTE: Order parts by Catalog Number Only.
DO NOT order by Reference Number.**

Ref. No.	Catalog No.	Description	Ref. No.	Catalog No.	Description
1	50507	Line Cord w/GFCI	11	96260	Carriage Bolt $\frac{5}{16}$ " - 18 x $\frac{3}{4}$ " (3)
2	23507	Rubber Boot	12	23642	Motor Bracket
3	61490	Switch Guard	13	60085	Lock Washer (2)
4	23512	Rubber Washer	14	60380	Screw (2)
5	23612	Switch	15	59785	Screw (2)
6	23687	FOR-REV Decal	16	43947	Lock Nut $\frac{3}{8}$ " - 16 (2)
7	23517	Motor $\frac{1}{2}$ Hp 120V 60Hz (K-75)	17	60230	Hex Nut $\frac{5}{16}$ " - 18 (3)
	23522	Motor $\frac{3}{4}$ Hp 120V 60Hz (K-1500)	18	23582	Pulley (K-1500)
	50567	Motor $\frac{3}{4}$ Hp 220/240V 50Hz (K-1500)		23587	Pulley (K-75)
8	54582	Motor Table	19	43847	Hex Screw $\frac{5}{16}$ " - 18 x $1\frac{1}{2}$ "
9	60080	Lock Washer $\frac{5}{16}$ " (2)	20	96265	Strain Relief
10	61115	Jam Nut $\frac{5}{16}$ " - 18 (2)	21	44635	Wire Nut

Motor Components

**K-1500ASP
K-1500BSP**

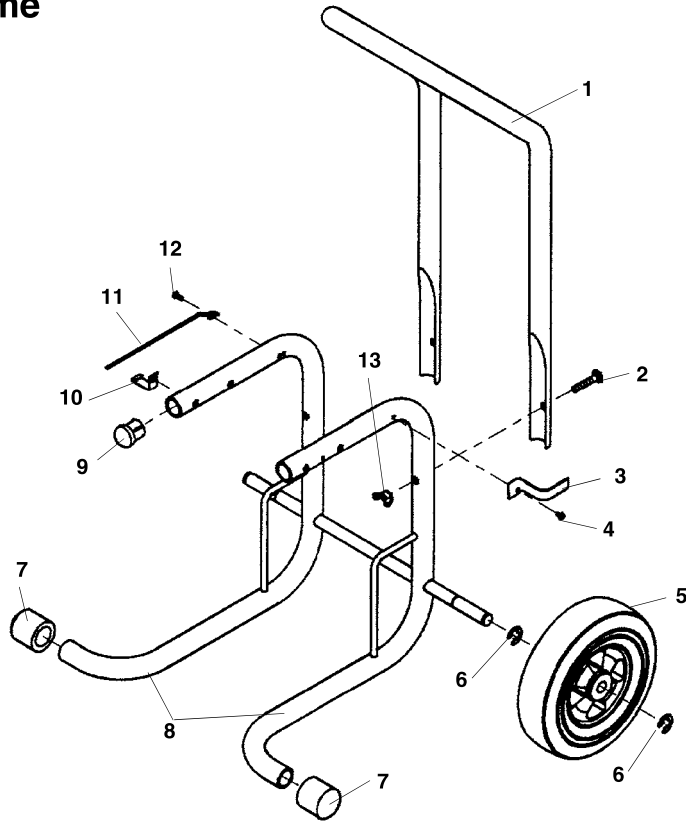


**NOTE: Order parts by Catalog Number Only.
DO NOT order by Reference Number.**

Ref. No.	Catalog No.	Description	Ref. No.	Catalog No.	Description
1	50502	Line Cord w/GFCI	11	61115	Jam Nut $\frac{5}{16}$ " - 18 (3)
	45022	Line Cord 110V - U.K.	12	96260	Carriage Bolt $\frac{5}{16}$ " - 18 x $\frac{3}{4}$ " (3)
	39562	Line Cord - Europe	13	60085	A-2290 Lock Washer (2)
	15707	Line Cord - Export	14	60380	A-2481 Screw (2)
2	45272	Cover Plate	15	23642	Motor Bracket
3	59990	Screw #10	16	59785	A-210 Screw (2)
4	45267	Cover Plate Gasket	17	43947	Lock Nut $\frac{3}{8}$ " - 16 (2)
5	43932	A-2256 Screw (2)	18	60230	Hex Nut $\frac{5}{16}$ " - 18 (3)
6	20113	Switch Assembly (Includes Ref. No. 6-8)	19	45227	Pulley
7	45257	Switch Box Gasket	20	43757	Hex Screw $\frac{5}{16}$ " - 18 x 2"
8	45237	Motor 1 Hp	21	45262	Switch Box
9	54582	Motor Table	22	50512	Strain Relief
10	60080	Lock Washer $\frac{5}{16}$ " (6)	23	44635	Wire Nut

A Frame

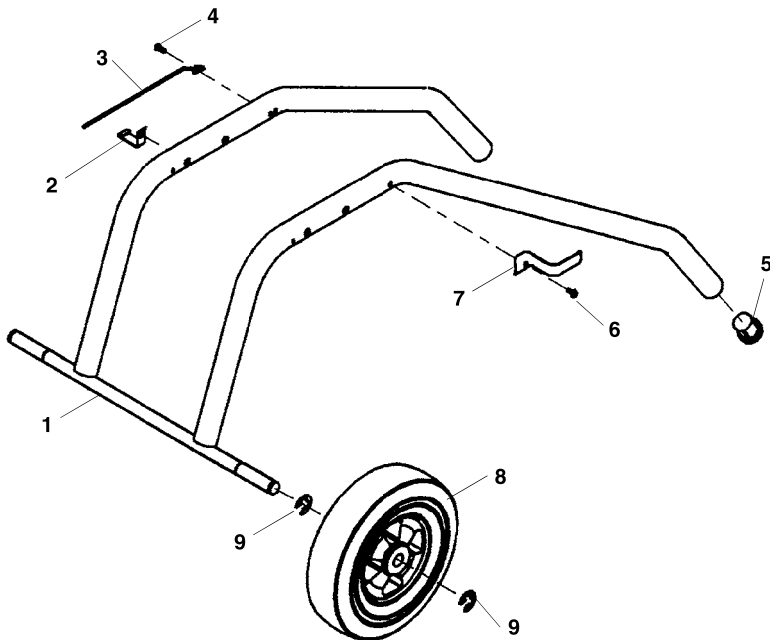
**K-75A
K-75B
K-1500A
K-1500B
K-1500ASP
K-1500BSP**



**NOTE: Order parts by Catalog Number Only.
DO NOT order by Reference Number.**

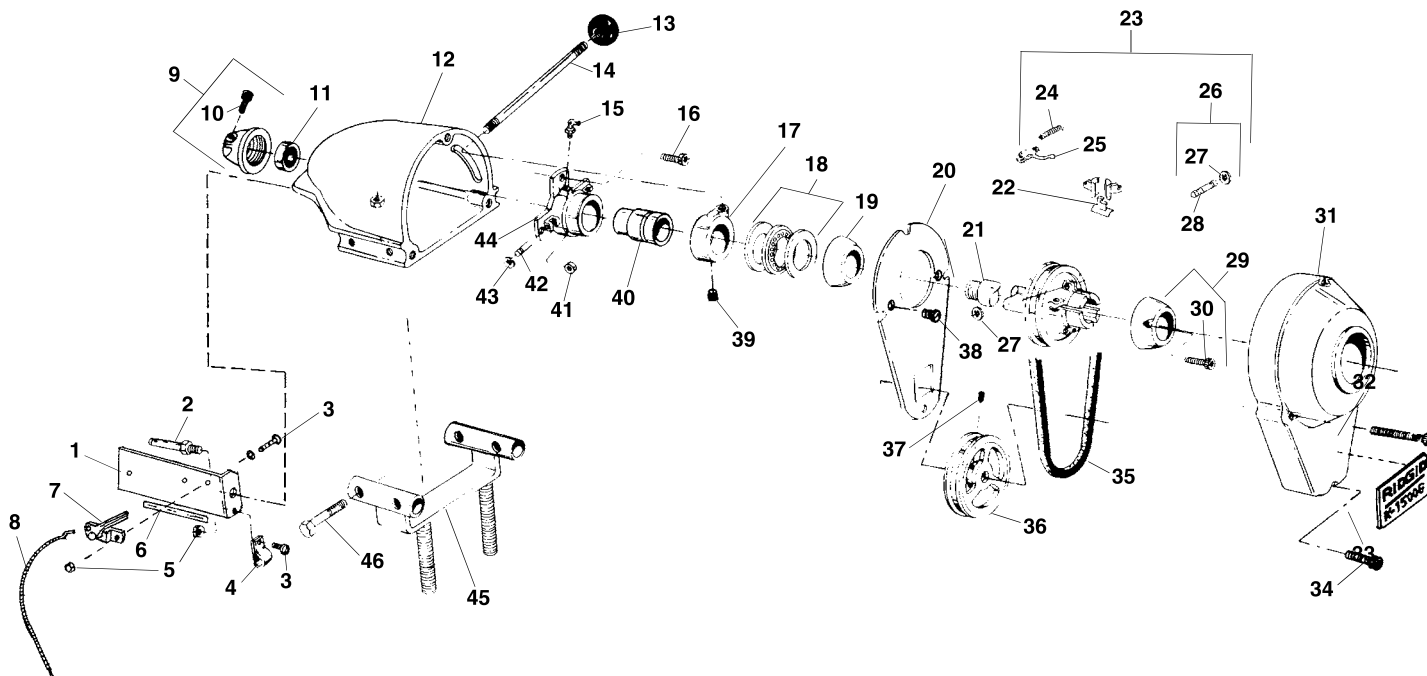
Ref. No.	Catalog No.	Description
1	23537	Handle (Type "A")
2	23617	Bolt (2)
3	61965	Cord Hook w/Screw (2)
4	61500	A-427 Screw (2)
5	23602	Wheel (K-75, K-1500) (2)
	23597	Wheel (SP Models Only) (2)
6	60050	A-2281 Retaining Ring (4)
7	23607	Leg End Cap (2)
8	23532	Frame Assembly
9	61470	A-394 Rubber Plug (2)
10	23647	Tool Clip Bracket
11	23622	Tool Clip
12	59990	A-2256 Screw
	45217	A-7875 Screw (SP Models Only)
13	45385	E-3328 Wing Nut (2)

B Frame



Ref. No.	Catalog No.	Description
1	23672	Frame Assembly
2	23647	Tool Clip Bracket
3	23622	Tool Clip
4	59990	A-2256 Screw
	45217	A-7875 Screw (SP Models Only)
5	61470	A-394 Rubber Plug (2)
6	61500	A-427 Screw (2)
7	61965	Cord Hook w/Screw (2)
8	23602	Wheel (K-75, K-1500) (2)
	23597	Wheel (SP Models Only) (2)
9	60050	A-2281 Retaining Ring (4)

Main Drive and Body Components



**NOTE: Order parts by Catalog Number only.
DO NOT order by Reference Number.**

Ref. No.	Catalog No.	Description	Ref. No.	Catalog No.	Description
1	43692	Splash Guard	26	60150	Rocker Arm Pin w/Clip (3)
2	59580	Guide Hose Pin (2)	27	78780	E-3562 Retaining Ring (3)
3	87975	R.H. Screw 10-24 x 5/8" (4)	28	90105	Pin (3)
4	43697	Cable Clamp (2)	29	59500	Nose Piece
5	87970	Nut 10 - 24 (4)	30	84425	Screw (2)
6	59282	Engine Throttle Decal	31	23547	Front Guard
7	58937	Lever Assy. - Throttle Control	32	23652	Soc. Hd. Screw 1/4" x 2 3/4" (3)
8	58942	Throttle Cable	33	43717	Label
9	60935	Lock and Adj. Nut (Incl. #7)	34	44510	Soc. Hd. Screw 1/4" - 20 x 2"
10	60910	Soc. Hd. Screw 1/4" - 20 x 5/8"	35	43722	V-Belt - Cable
11	60930	Ball Bearing	36	43727	Pulley - Cable
12	43702	Body		91002	Pulley - (Tecumseh Transmission)
13	59585	Knob	37	60025	Set Screw (2)
14	59575	Clutch Handle	38	60265	Hex Screw 1/4" - 20 x 1/2" (2)
15	89815	Grease Fitting	39	93560	Pan Screw 1/4" - 20 x 5/8"
16	68875	F.H. Screw 5/16" - 18 x 1" (3)	40	84435	Bronze Bushing
17	43707	Clutch Casting	41	61015	Roller (2)
18	23677	Thrust Bearing Assembly	42	23592	Pin (2)
19	23572	Clutch Cone	43	34175	Retaining Ring (2)
20	43712	Inside Guard	44	45247	Main Bearing with Bronze Bushing
21	23562	Pulley and Shaft Assembly	45	43762	Mounting Bracket
22	59325	7/8" Jaw Assembly		91022	Mounting Bracket (Tecumseh Transmission)
	59320	1 1/4" Jaw Assembly	46	43757	Hex Head Screw (4)
23	60145	Rocker Arm Kit			
24	60155	Spring (3)			
25	59530	Rocker Arm Set			