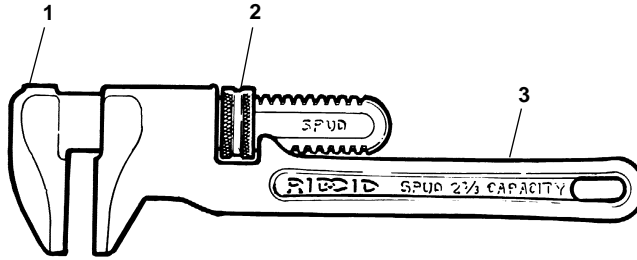


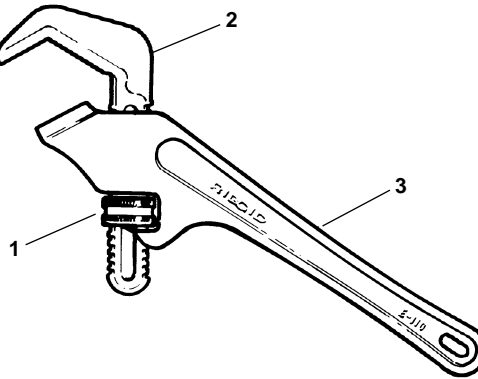
12" Spud Wrench
Capacity: 2⁵/₈"



**NOTE: Order parts by Catalog Number only.
DO NOT order by Reference Number.**

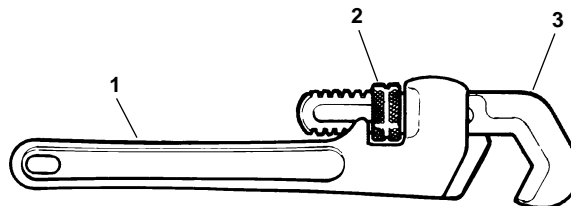
Ref. No.	Catalog No.	Description
—	31400	Spud Wrench
1	32785	Jaw
2	31665	Nut
3	32780	Handle

E-110 Offset Hex Wrench
Capacity: 1¹/₂" Drain Nuts



Ref. No.	Catalog No.	Description
—	31305	E-110 Offset Hex Wrench
1	31615	Nut
2	32690	Hook Jaw
3	32695	Handle

Straight Hex Wrench
Capacity: ³/₁₆" through 2"



Ref. No.	Description	#15	#17	#25
		1/4"-1"	5/8"-1 1/4"	1"-2"
1	Handle	Catalog No. 32640	Catalog No. 32650	Catalog No. 32660
2	Nut	31665	31685	31710
3	Hook Jaw	32635	32645	32655