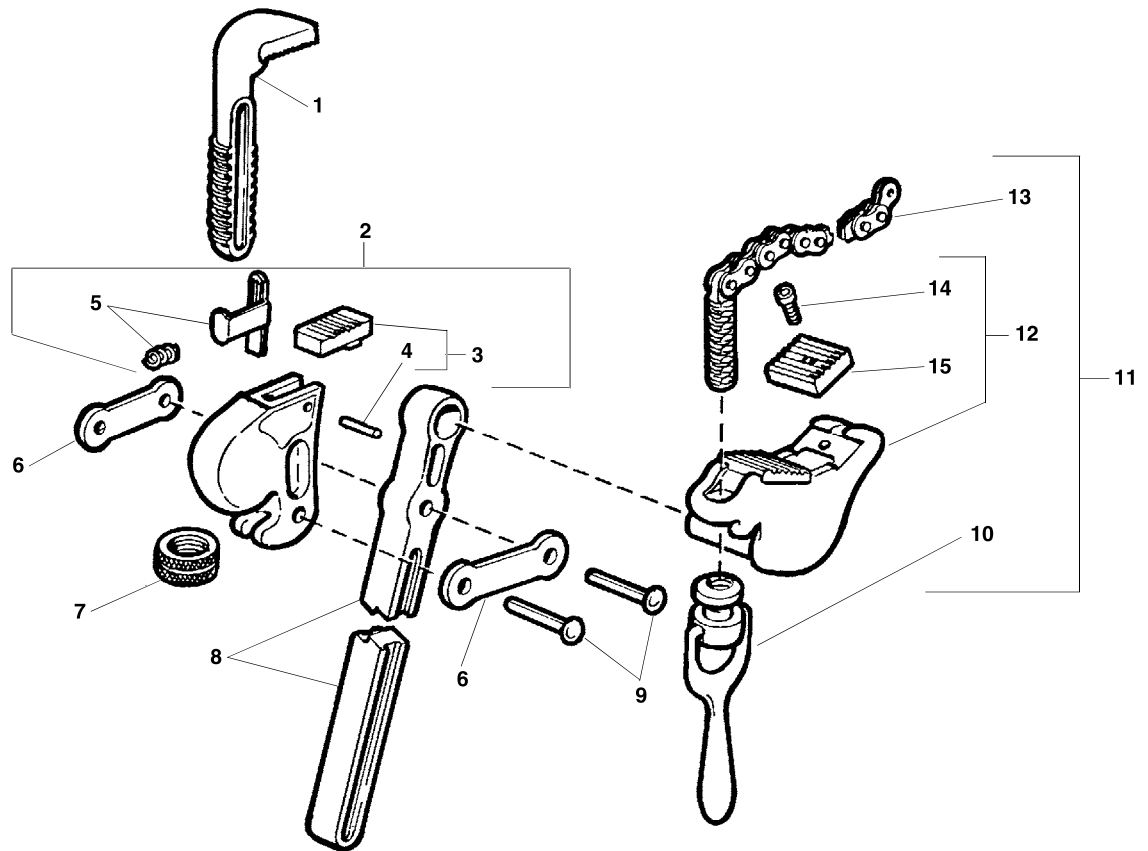


Compound Leverage Wrench



**NOTE: Order parts by Catalog Number only.
DO NOT order by Reference Number.**

Ref. No.	Description	S2	S4A	S6A	S8A
		Max. 2"	Max. 5"	Max. 6"	Max. 8"
Ref. No.	Description	Catalog No.	Catalog No.	Catalog No.	Catalog No.
1	Hook Jaw	31655	31720	31745	31770
2	Head Assembly	32105	32170	32245	32300
3	Heel Jaw Assembly	31635	31725	31750	31775
4	Pin	31650	31740	31765	31790
5	Spring Assembly	31660	31730	31755	31780
6	Side Bar (2)	23140	32210	32260	32260
7	Nut	31665	31735	31760	31785
8	Wrench Handle	32125	32195	32250	32250
9	Rivet (2)	74680	32215	32220	32220
10	Nut and Handle Assembly	32115	40765	40765	40810
11	Trunnion Assembly	32085	32150	32225	32280
12	Trunnion	32090	32155	32230	32285
13	Chain Assembly	32110	32180	32180	40800
14	Screw (2)	32145	32205	32275	32270
15	Trunnion Jaw (2)	32100	32165	32240	32295