

**BAXI**



Boiler-Gas.ru

Перейти на сайт



**LUNA 3 COMFORT**

**SPARE PARTS CATALOGUE**

**- January 2015 -**



## HOW TO READ THE SPARE PARTS CATALOGUE

In the spare part catalogue, after the exploded diagrams, there are the components lists of the boilers; this is the meaning of the different columns:

**Pos.** Identification number of the component in the exploded diagram of the boiler.

**Description** Short description of the component.

**Code** BAXI S.p.A. code of the component.

**Tab. XX** XX is the exploded diagram number of the boiler taken into consideration.

Until 31th December 2011

**From serial number** Date (year and week) identifying the beginning of production of a component (taken from the serial number of the boiler).

e.g. **B005: year 2000** (B identifies the decade 2000-2009; 0 identifies the year) – **5<sup>th</sup> week**.

If the box is empty, the component is in use from the beginning of production of the boiler.

**To serial number** Date (year and week) identifying the end of production of a component (taken from the serial number of the boiler).

e.g. **B012: year 2000** (B identifies the decade 2000-2009; 0 identifies the year) – **12<sup>th</sup> week**.

If the box is empty, the component is still in use.

**Interchangeable** It identifies the interchangeability between the new component and the old one.

YES: components are interchangeable.

NO: components are not interchangeable.

FROM 1<sup>st</sup> January 2102

**From serial number** Date (year and week) identifying the beginning of production of a component (taken from the serial number of the boiler).

e.g. **1201: year 2012** (1 identifies the decade 2010-2019; 2 identifies the year) – **1<sup>th</sup> week**.

If the box is empty, the component is in use from the beginning of production of the boiler.

**To serial number** Date (year and week) identifying the end of production of a component (taken from the serial number of the boiler).

e.g. **1225: year 2012** (1 identifies the decade 2010-2019; 2 identifies the year) – **25<sup>th</sup> week**.

If the box is empty, the component is still in use.

**Interchangeable** It identifies the interchangeability between the new component and the old one.

YES: components are interchangeable.

NO: components are not interchangeable.

**TABELLA COLLEGAMENTO CODICE CALDAIA - ESPLOSO**  
**TABLEAU CONNECTION CODEX CHAUDIERE - VUE ECLATEE**  
**BOILERS CONNECTION BOARD - EXPLODED VIEW**

<b>BOILER CODE</b>	<b>BOILER DESCRIPTION</b>	<b>EXPLODED REF.</b>
<b>CODICE CALDAIA</b>	<b>DESCRIZIONE CALDAIA</b>	<b>RIF. ESPLOSO</b>
<b>CODIGO CALDERA</b>	<b>DESCRIPCION CALDERA</b>	<b>REF. EXPLOSIONADO</b>
<b>CODE CHAUDIÈRE</b>	<b>DESCRIPTION CHAUDIÈRE</b>	<b>RÉF. EXPLOSÉE</b>
CSZ456243584	LUNA3 COMFORT 240Fi	Tab 343
CSZ456243582/3	LUNA3 COMFORT 240Fi	Tab 343
CSZ456243581	LUNA3 COMFORT 240Fi	Tab 94
CSZ456243580	LUNA3 COMFORT 240Fi	Tab 94
CSZ452243584	LUNA3 COMFORT 240i	Tab 344
CSZ452243582/3	LUNA3 COMFORT 240i	Tab 344
CSZ452243581	LUNA3 COMFORT 240i	Tab 95
CSZ452243580	LUNA3 COMFORT 240i	Tab 95
CSZ456313584	LUNA3 COMFORT 310Fi	Tab 343
CSZ456313582/3	LUNA3 COMFORT 310Fi	Tab 343
CSZ456313581	LUNA3 COMFORT 310Fi	Tab 94
CSZ456313580	LUNA3 COMFORT 310Fi	Tab 94

Pos	Code	Description code	CSZ452243580 1.240f	CSZ452243581 1.240f	CSZ452243582/3 1.240f	CSZ452243584 2.240f	CSZ452243580 240f	CSZ456243581 240f	CSZ456243582/3 240f	CSZ456243584 240f	CSZ456313580 310f	CSZ456313581 310f	CSZ456313582/3 310f	CSZ456313584 310f	To serial number	From serial number	Intercha ngeable:
1	5681330	SUPPORT FRAME		•			•					•			B750		
1	5681330	SUPPORT FRAME	•				•				•						
1	5683090	SUPPORT FRAME			•	•			•	•			•	•			
1	5683090	SUPPORT FRAME		•				•					•			B751	NO
2	5116190	LEFT PANEL	•	•	•	•											
2	5681390	LEFT PANEL					•	•	•	•	•	•	•	•			
3	5116170	RIGHT PANEL	•	•	•	•											
3	5681380	RIGHT PANEL					•	•	•	•	•	•	•	•			
4	5115970	FRONTAL PANEL LUNA3	•	•	•	•	•	•	•	•	•	•	•	•			
5	5110290	BRACKET-UPPER SUPPORT	•	•	•	•	•	•	•	•	•	•	•	•			
6	5109640	BRACKET-LOWER SUPPORT	•	•	•	•	•	•	•	•	•	•	•	•			
8	5408080	PRESSURE SWITCH PIPE L=270					•	•	•	•	•	•	•	•			
9	5108700	RESTRICTOR-AIR INTAKE					•	•	•	•	•	•	•	•			
10	5207060	FLUE ADAPTOR					•	•	•	•	•	•	•	•			
11	5407890	GASKET ADAPTOR					•	•	•	•	•	•	•	•			
12	5108690	PLATE BLANKING					•	•	•	•	•	•	•	•			
13	5407400	SUCTION CAP GASKET					•	•	•	•	•	•	•	•			
15	600530	JOINT ASSEMBLY					•	•	•	•	•	•	•	•			
17	5213750	CONVEYOR BEND LUNA3					•	•	•	•	•	•	•	•			
18	5407050	PRESSURE SENSING VENTURI					•	•	•	•			•	•			
18	5413850	PRESS.SENS.VENTURI SINGLE TAP									•	•					
21	5402050	WASHER-SEALING	•	•	•	•	•	•	•	•	•	•	•	•			
22	5653850	FAN - 80					•	•	•	•							
22	5655730	FAN - 105									•	•	•	•			
23	628610	PRESS.SWITCH ASS. 0,68mbar HONEYW.									•	•	•	•			
23	628640	PRESS.SWITCH ASS.1.2mbar HONEYW.					•	•	•	•							
23	710789900	PRESSURE SWITCH ASSEMBLY HUBA									•	•	•	•	1448		
23	710790300	FLUE PRESS.SWITCH 1,2mBAR HUBA					•	•	•	•					1448		



Pos	Code	Description code	CSZ452243580 1.240i	CSZ452243581 1.240i	CSZ452243582/3 2.240i	CSZ452243584 2.240i	CSZ452243580 2.40Fi	CSZ45243581 2.40Fi	CSZ456243582/3 2.40Fi	CSZ456243584 2.40Fi	CSZ456313580 3.10Fi	CSZ456313581 3.10Fi	CSZ456313582/3 3.10Fi	CSZ456313584 3.10Fi	To serial number	From serial number	Intercha ngeable:
35	5690740	EXPANSION VESSEL 10 L									•	•	•			C018	YES
36	5653290	PIPE - EXPANSION VESSEL	•	•	•	•	•	•	•	•	•	•	•	•			
37	5653710	PANEL COMBUSTION BOX FRONT 80					•	•								B734	YES
37	5653710	PANEL COMBUSTION BOX FRONT 80							•	•							
37	5655750	PANEL-COMBUSTION BOX											•	•			
37	5656490	PANEL COMBUSTION BOX FRONT 80					•	•								B733	
37	5656500	PANEL-COMBUSTION BOX FRONT 105									•	•					
38	5401610	VIEWING WINDOW GASKET					•	•	•	•	•	•	•	•			
39	5203930	VIEWING WINDOW					•	•	•	•	•	•	•	•			
40	5103360	SURROUND - VIEWING WINDOW					•	•	•	•	•	•	•	•			
41	5653300	BURNER ASSEMBLY (15 ELEMENTS)	•	•	•	•	•	•	•	•	•	•	•	•			
42	5604090	BURNER ELEMENT	•	•	•	•	•	•	•	•	•	•	•	•			
43	606140	MANIFOLD - BURNER	•	•	•	•	•	•	•	•							
43	5680970	GAS RAMP WITH INJECT. (D.1,28)									•	•	•	•			
44	601520	INJECTOR KIT D. 0,74	•	•	•	•	•	•	•	•							
44	608430	TRANSFORM. KIT N.G. (15x1,28)									•	•	•	•			
44	608440	TRANSFORM. KIT N.G. (18x1,18)	•	•	•	•	•	•	•	•							
44	608450	TRANSFORM.KIT LPG(15x 0,77)									•	•	•	•			
45	5407940	GASKET-BURNER MANIFOLD	•	•	•	•	•	•	•	•	•	•	•	•			
46	5657180	ADAPTOR-MANIFOLD	•	•	•	•	•	•	•	•	•	•	•	•			
47	5407810	GASKET-MANIFOLD ADAPTOR					•	•	•	•	•	•	•	•			
48	5116650	BURNER PROTECTION	•	•	•	•											
49	5207070	FLUE SAMPLE PLUG					•	•	•	•	•	•	•	•			
59	8419050	LEAD - IGNITION ELECTRODE	•	•	•	•	•	•	•	•	•	•	•	•			
61	5404920	INSULATION BOOT-ELECTRODES	•	•	•	•											
61	5407830	INSULATION BOOT - ELECTRODE					•	•	•	•	•	•	•	•			
62	5409570	SEALED CHAMBER HOSE ADAPTER					•	•	•	•	•	•	•	•			
63	8422570	ELECTRODE - IGNITION	•	•	•	•	•	•	•	•	•	•	•	•			

Pos	Code	Description code	CSZ452243580 1.240l	CSZ452243581 1.240l	CSZ452243582/3 1.240l	CSZ452243584 2.240l	CSZ456243580 240l	CSZ456243581 240l	CSZ456243582/3 240l	CSZ456243584 240l	CSZ456313580 310l	CSZ456313581 310l	CSZ456313582/3 310l	CSZ456313584 310l	To serial number	From serial number	Intercha ngeable:
70	5681020	EXCHANGER/PUMP PIPE ASSEMBLY	•	•													
70	5681020	EXCHANGER/PUMP PIPE ASSEMBLY					•	•			•	•			B719		
70	5688900	PIPE ASSEMBLY PUMP/EXCHANGER			•				•				•				
70	5688900	PIPE ASSEMBLY PUMP/EXCHANGER					•	•			•	•				B720	NO
70	711192200	PUMP/EXCHANGER PIPE ASSEMBLY				•								•			
72	5659550	PUMP UPS 15-60 AO & CONNECTOR									•	•	•	•			
72	5661200	PUMP UP 15-50/CONNECTOR	•	•	•	•	•	•	•	•	•	•	•	•			
73	607290	AUTOMATIC AIR VENT	•	•	•	•	•	•	•	•	•	•	•	•			
74	5406360	O-RING 14X1,78 EP	•	•	•	•	•	•	•	•	•	•	•	•			
75	5404670	GROMMET - PIPE ASSEMBLY					•	•	•	•	•	•	•	•			
76	5653660	DHW PLATE EXCHANGER -12 PLATES	•	•			•	•							B649		
76	5655780	DHW PLATE EXCHANG. 16 PLATES								•	•				B649		
76	5686670	DHW PLATE EXCHANGER 12 PLATES			•				•								
76	5686670	DHW PLATE EXCHANGER 12 PLATES	•	•			•	•								B650	YES
76	5686680	DHW PLATE EXCHANGER 14 PLATE											•				
76	5686680	DHW PLATE EXCHANGER 14 PLATE								•	•					B730	YES
76	5686690	DHW PLATE EXCHANGER 16 PLATES								•	•				B729	B650	YES
76	711612800	DHW PLATE EXCHANGER 12 PLATES				•				•							
76	711613000	DHW PLATE EXCHANGER 14 PLATES												•			
77	5404520	DHW PLATE EXCHANGER GASKET	•	•	•		•	•	•	•	•	•	•	•			
77	711613500	DHW PLATE EXCHANGER OR				•				•				•			
80	5680920	GROUP -15.0553-	•	•			•	•		•	•						
80	5693860	HYDR.INLET GR.WITH BYPASS			•				•				•				
80	711608300	HYDRAULIC INLET GROUP				•				•				•			
81	620340	FILTER-TRASDUC GROUP -100078-	•	•	•	•	•	•	•	•	•	•	•	•			
87	631680	PUMP CONNECTING ELEMENT/OR	•	•	•		•	•	•	•	•	•	•	•		1302	YES
87	5210710	PUMP CONNECTING ELEMENT	•	•	•		•	•	•	•	•	•	•	•	1301		
87	711652300	PUMP CONNECTING ELEMENT/OR				•				•				•			





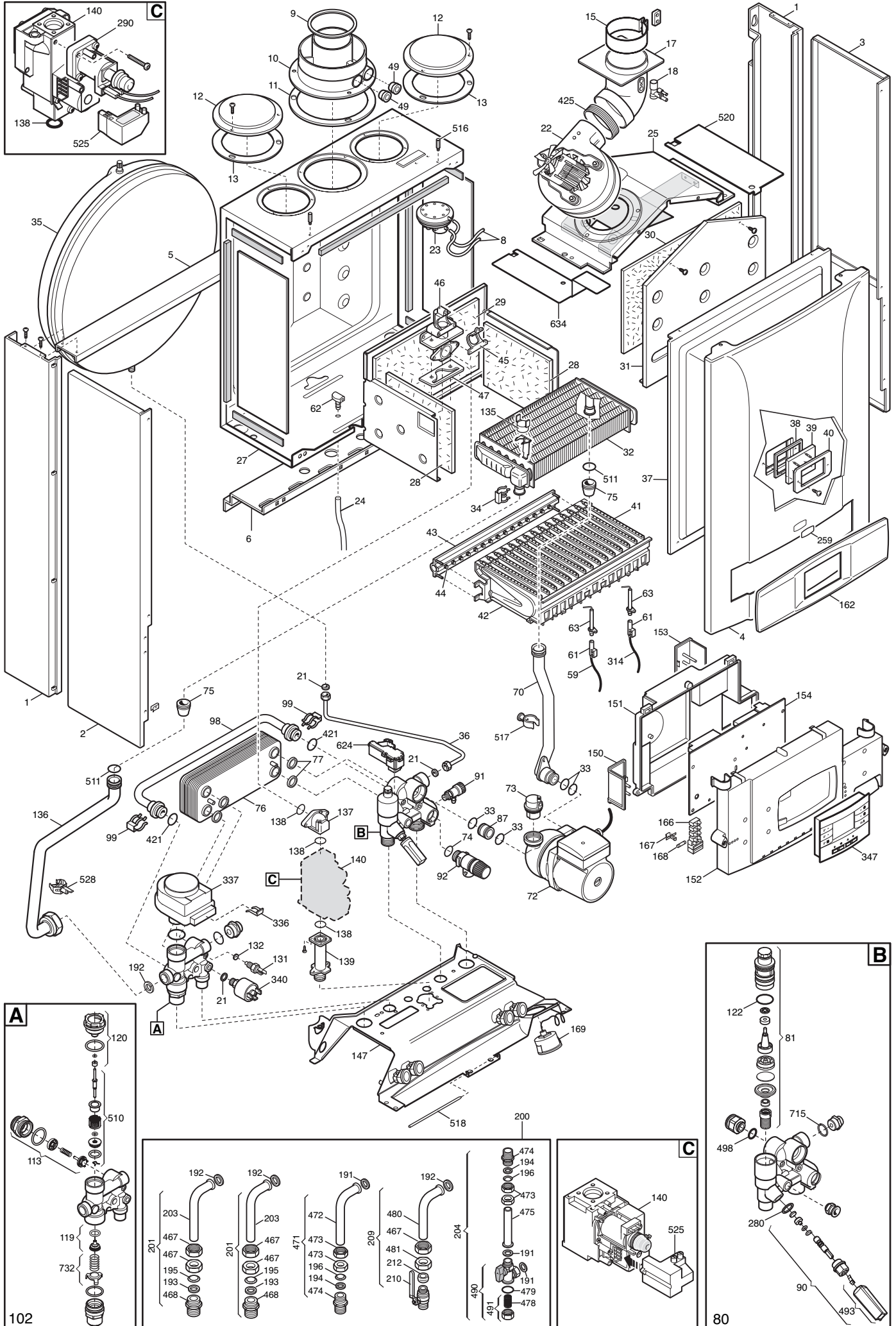
Pos	Code	Description code	CSZ452243580 1.240f	CSZ452243581 1.240f	CSZ452243582/3 1.240f	CSZ452243584 2.240f	CSZ452243580 2.40f	CSZ452243581 2.40f	CSZ452243582/3 2.40f	CSZ452243580 2.40f	CSZ452243581 2.40f	CSZ452243582/3 2.40f	CSZ452243584 2.40f	CSZ456313580 3.10f	CSZ456313581 3.10f	CSZ456313582/3 3.10f	CSZ456313584 3.10f	To serial number	From serial number	Intercha ngeable:
150	5412180	TERMINAL BLOCK COVER	•	•	•	•	•	•	•	•	•	•	•	•	•	•	•			
151	5412250	BOX COVER LUNA3	•	•	•	•	•	•	•	•	•	•	•	•	•	•	•			
152	5412490	LUNA3 COMFORT CONTROL PANEL	•	•	•	•	•	•	•	•	•	•	•	•	•	•	•			
153	5407660	PANEL - ACCESS	•	•	•	•	•	•	•	•	•	•	•	•	•	•	•			
154	5681760	P.C.B. LUNA3	•											•						
154	5687020	PCB LUNA3 COMFORT	•	•	•	•	•	•	•	•	•	•	•	•	•	•	•			
162	5682660	COVER ASSEMBLY	•	•	•	•	•	•	•	•	•	•	•	•	•	•	•			
166	8421590	TERMINAL BLOCK	•	•	•	•	•	•	•	•	•	•	•	•	•	•	•			
167	5405340	FUSE HOLDER	•	•	•	•	•	•	•	•	•	•	•	•	•	•	•			
168	9950580	FUSE	•	•	•	•	•	•	•	•	•	•	•	•	•	•	•			
169	9951650	MANOMETER D.40	•	•	•	•	•	•	•	•	•	•	•	•	•	•	•			
191	5408970	WASHER - SEALING G1/2	•	•	•	•	•	•	•	•	•	•	•	•	•	•	•			
192	5404650	SEALING WASHER G 3/4	•	•	•	•	•	•	•	•	•	•	•	•	•	•	•			
193	5400940	RUBBER GASKET G 3/4	•	•			•	•					•	•						
194	5400950	RUBBER GASKET G 1/2	•	•			•	•					•	•						
195	5101880	METAL RING G 3/4	•	•			•	•					•	•						
196	5101890	METAL RING G 1/2	•	•			•	•					•	•						
200	5626010	CONNECTION ASSEMBLY	•	•			•	•					•	•						
200	5626010	CONNECTION ASSEMBLY			•				•						•			B928		
200	5701230	CONNECTION ASSEMBLY PRIME HT								•						•				
200	5701230	CONNECTION ASSEMBLY PRIME HT			•				•						•				B929	
201	5625950	CONNECTION HEATING ASSEMBLY			•				•						•			B928		
201	5625950	CONNECTION HEATING ASSEMBLY	•	•			•	•					•	•						
203	5628020	CONNECTING PIPE	•	•			•	•					•	•						
204	5625980	CONNECT.SANITARY AND INLET TAP	•	•			•	•					•	•						
204	5625980	CONNECT.SANITARY AND INLET TAP			•				•						•			B928		
209	5627620	CONNECTION GAS INLET TAP	•	•			•	•					•	•						
209	5627620	CONNECTION GAS INLET TAP			•				•						•			B928		

Pos	Code	Description code	CSZ452243580 1.240H	CSZ452243581 1.240H	CSZ452243582/3 1.240H	CSZ452243584 2.240H	CSZ452243580 240H	CSZ456243581 240H	CSZ456243582/3 240H	CSZ456243584 240H	CSZ456313580 310H	CSZ456313581 310H	CSZ456313582/3 310H	CSZ456313584 310H	To serial number	From serial number	Intercha ngeable:
210	9950830	GAS TAP	•	•	•	•	•	•	•	•	•	•	•	•			
212	5408330	BICONIC GASKET	•	•			•	•			•	•					
241	5669470	AIR CHAMBER ASSEMBLY	•	•	•	•											
242	606930	FLUE SAFETY THERMOSTAT 60C	•	•	•	•											
259	5681120	BRAND BAXI LUNA3	•	•	•	•	•	•	•	•	•	•	•	•			
280	5207730	GASKET 14,2X18X1,5	•	•	•	•	•	•	•	•	•	•	•	•			
286	8240530	NUT M5	•	•	•	•											
290	5665230	MODULATION COIL ASSY	•	•	•		•	•	•		•	•	•				
314	8418870	LEAD - SENSING ELECTRODE	•	•	•	•	•	•	•	•	•	•	•	•			
336	8380680	CLIP-RETAINING	•	•	•	•	•	•	•	•	•	•	•	•			
337	5647340	MOTOR-3 WAY VALVE	•	•			•	•			•	•			B952		
337	5694580	3 WAY VALVE MOTOR			•	•			•	•			•	•			
337	5694580	3 WAY VALVE MOTOR	•	•			•	•			•	•				B953	YES
340	5663750	PRESSURE SWITCH	•	•			•	•			•	•			B714		
340	9951690	PRESSURE SWITCH			•	•			•	•			•	•			
340	9951690	PRESSURE SWITCH	•	•			•	•			•	•				B715	YES
347	5682690	REMOTE CONTROL ASSEMBLY	•	•	•	•	•	•	•	•	•	•	•	•			
421	5408270	O-RING 11,91 X 2,62 NBR	•	•			•	•			•	•					
425	5412270	GASKET FAN HT					•	•	•	•	•	•	•	•			
467	9950310	NUT G 3/4	•	•			•	•			•	•					
468	5627970	CONNECTING ELEMENT G 3/4	•	•			•	•			•	•					
471	5625960	DHW OUTLET	•	•			•	•			•	•					
471	5625960	DHW OUTLET			•				•				•		B928		
472	5627990	SANITARY OUTLET PIPE	•	•			•	•			•	•					
473	9950300	NUT G 1/2	•	•			•	•			•	•					
474	5627980	CONNECTING ELEMENT G 1/2	•	•			•	•			•	•					
475	5628000	SANITARY INLET PIPE	•	•			•	•			•	•					
478	624480	SANITARY FILTER ASSEMBLY	•	•			•	•			•	•					

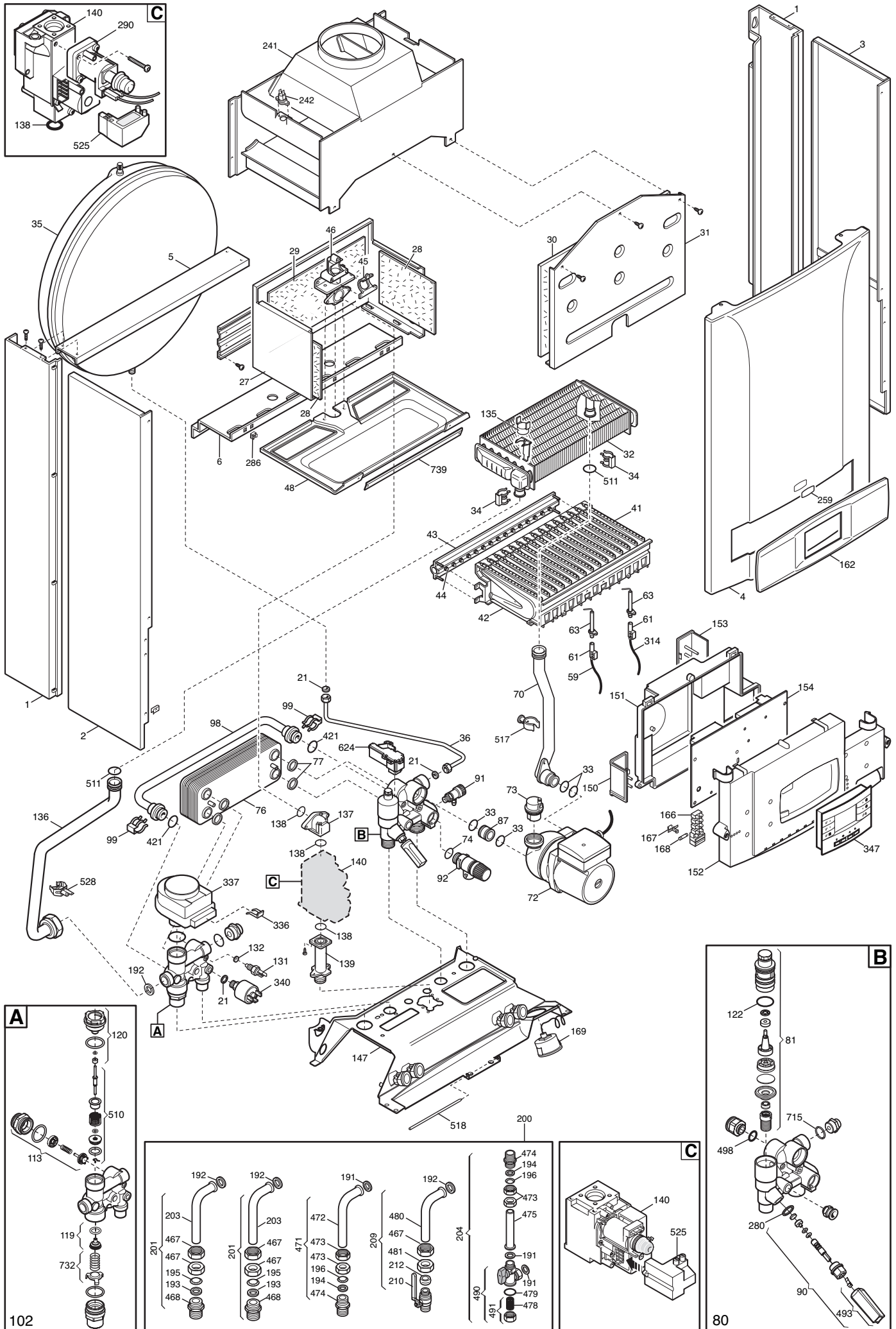




# Tab 94

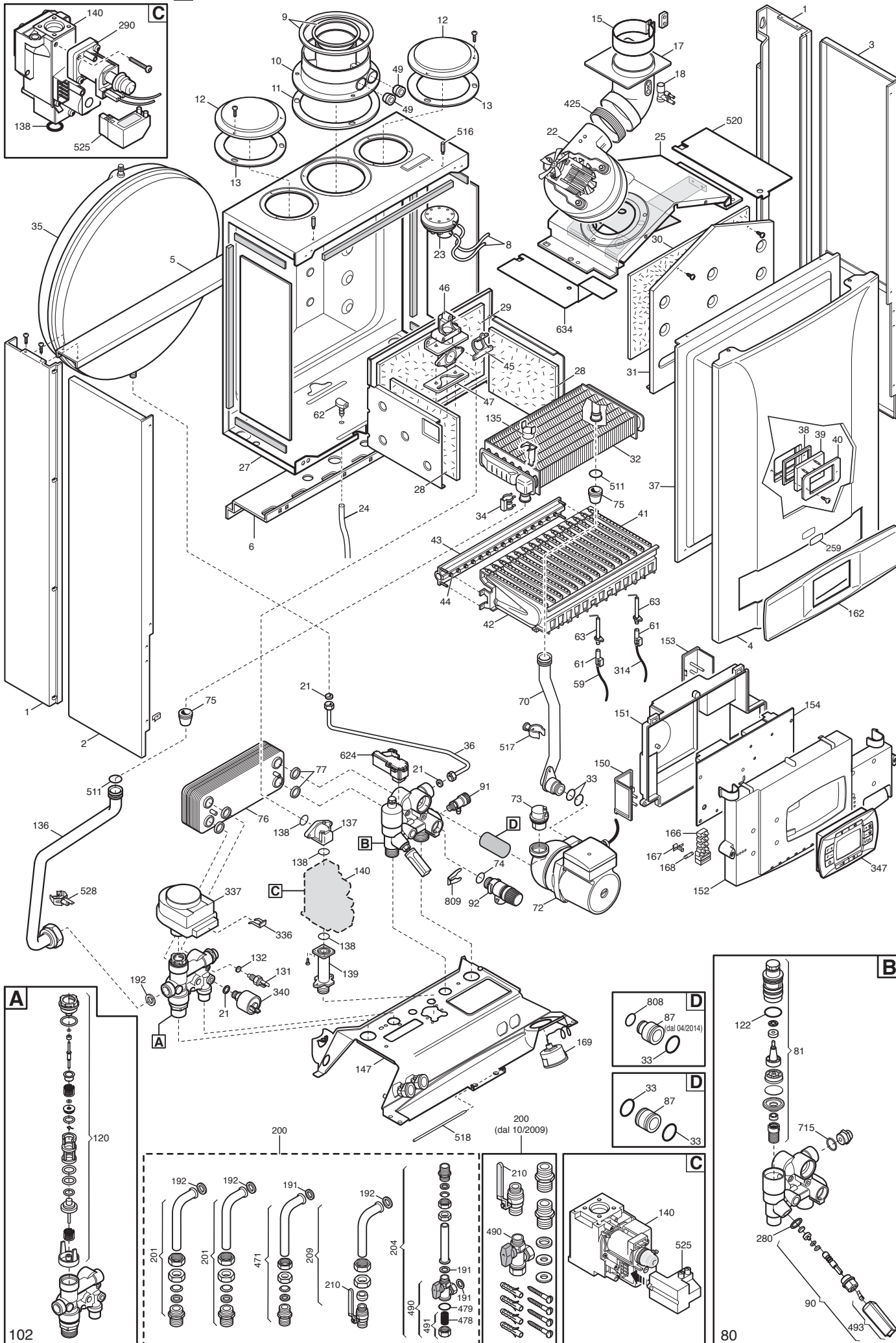


# Tab 95



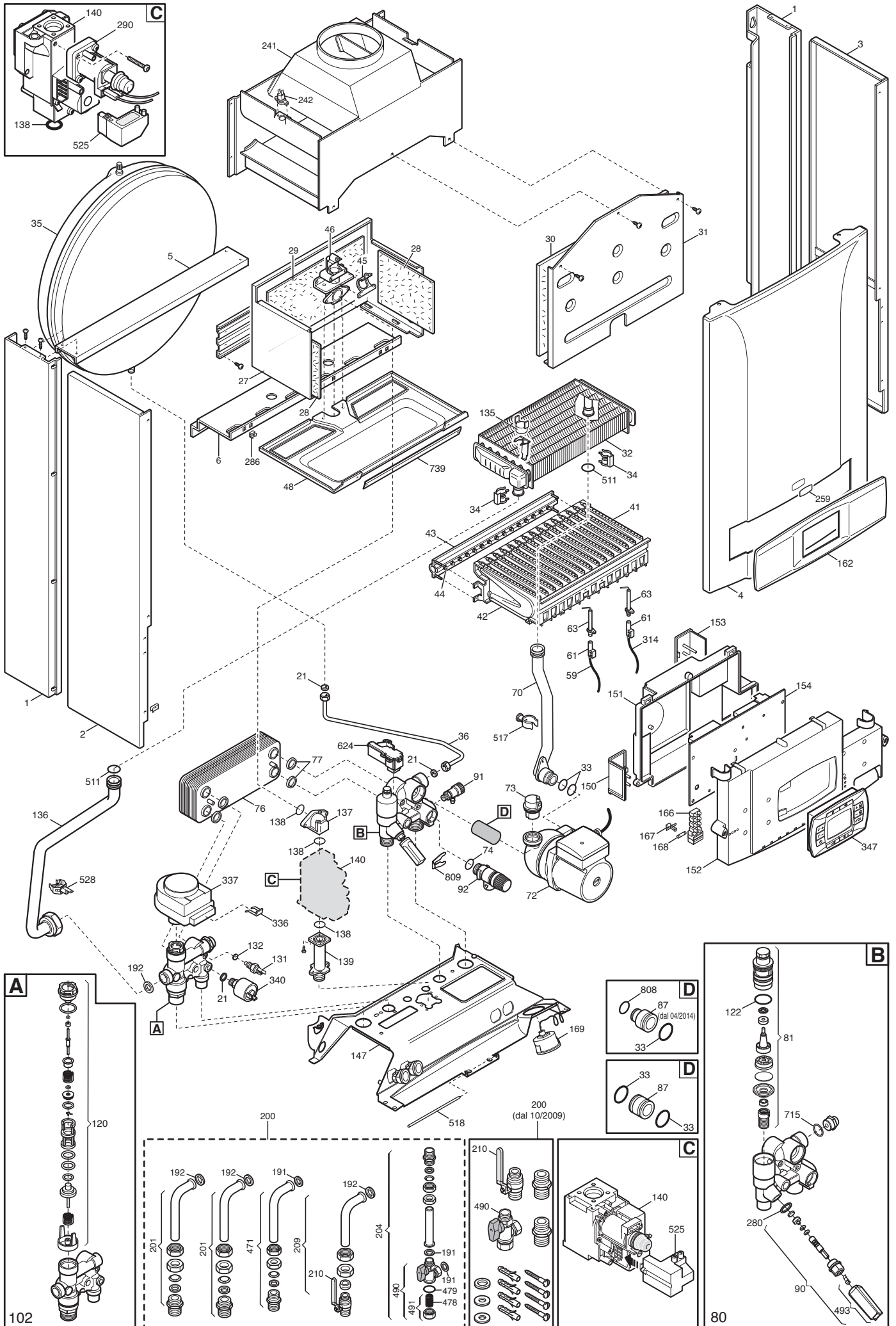


# Luna3 240\_310 Fi comfort





# Luna3 240 i comfort





**BAXI**

**BAXI S.p.A.**  
**Via Trozzetti, 20**  
**36061 BASSANO DEL GRAPPA (VI)**  
**ITALY**  
**Tel. +390424517111**  
**Telefax +390424517379**  
**E-mail. [service@baxi.it](mailto:service@baxi.it)**