

BAXI



Boiler-Gas.ru
Перейти на сайт



ECOFOUR

SPARE PARTS CATALOGUE

- January 2015 -

HOW TO READ THE SPARE PARTS CATALOGUE

In the spare part catalogue, after the exploded diagrams, there are the components lists of the boilers; this is the meaning of the different columns:

Pos. Identification number of the component in the exploded diagram of the boiler.

Description Short description of the component.

Code BAXI S.p.A. code of the component.

Tab. XX XX is the exploded diagram number of the boiler taken into consideration.
Until 31th December 2011

From serial number Date (year and week) identifying the beginning of production of a component (taken from the serial number of the boiler).
e.g. **B005: year 2000** (B identifies the decade 2000-2009; 0 identifies the year) – **5th week**.
If the box is empty, the component is in use from the beginning of production of the boiler.

To serial number Date (year and week) identifying the end of production of a component (taken from the serial number of the boiler).
e.g. **B012: year 2000** (B identifies the decade 2000-2009; 0 identifies the year) – **12th week**.
If the box is empty, the component is still in use.

Interchangeable It identifies the interchangeability between the new component and the old one.

YES: components are interchangeable.
NO: components are not interchangeable.

FROM 1st January 2102

From serial number Date (year and week) identifying the beginning of production of a component (taken from the serial number of the boiler).
e.g. **1201: year 2012** (1 identifies the decade 2010-2019; 2 identifies the year) – **1th week**.
If the box is empty, the component is in use from the beginning of production of the boiler.

To serial number Date (year and week) identifying the end of production of a component (taken from the serial number of the boiler).
e.g. **1225: year 2012** (1 identifies the decade 2010-2019; 2 identifies the year) – **25th week**.
If the box is empty, the component is still in use.

Interchangeable It identifies the interchangeability between the new component and the old one.

YES: components are interchangeable.
NO: components are not interchangeable.

HOW TO READ THE SPARE PARTS CATALOGUE

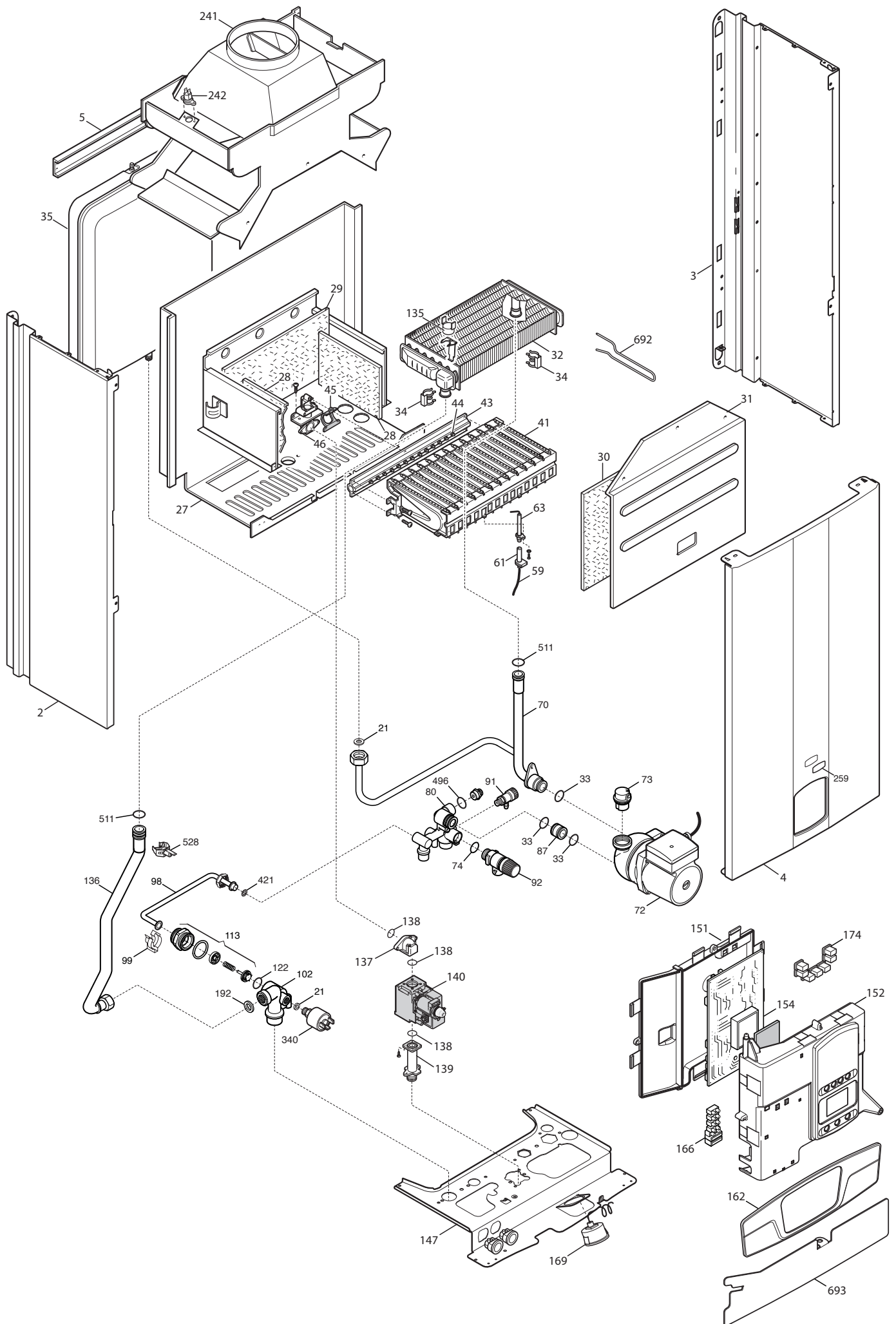
In the spare part catalogue, after the exploded diagrams, there are the components lists of the boilers; this is the meaning of the different columns:

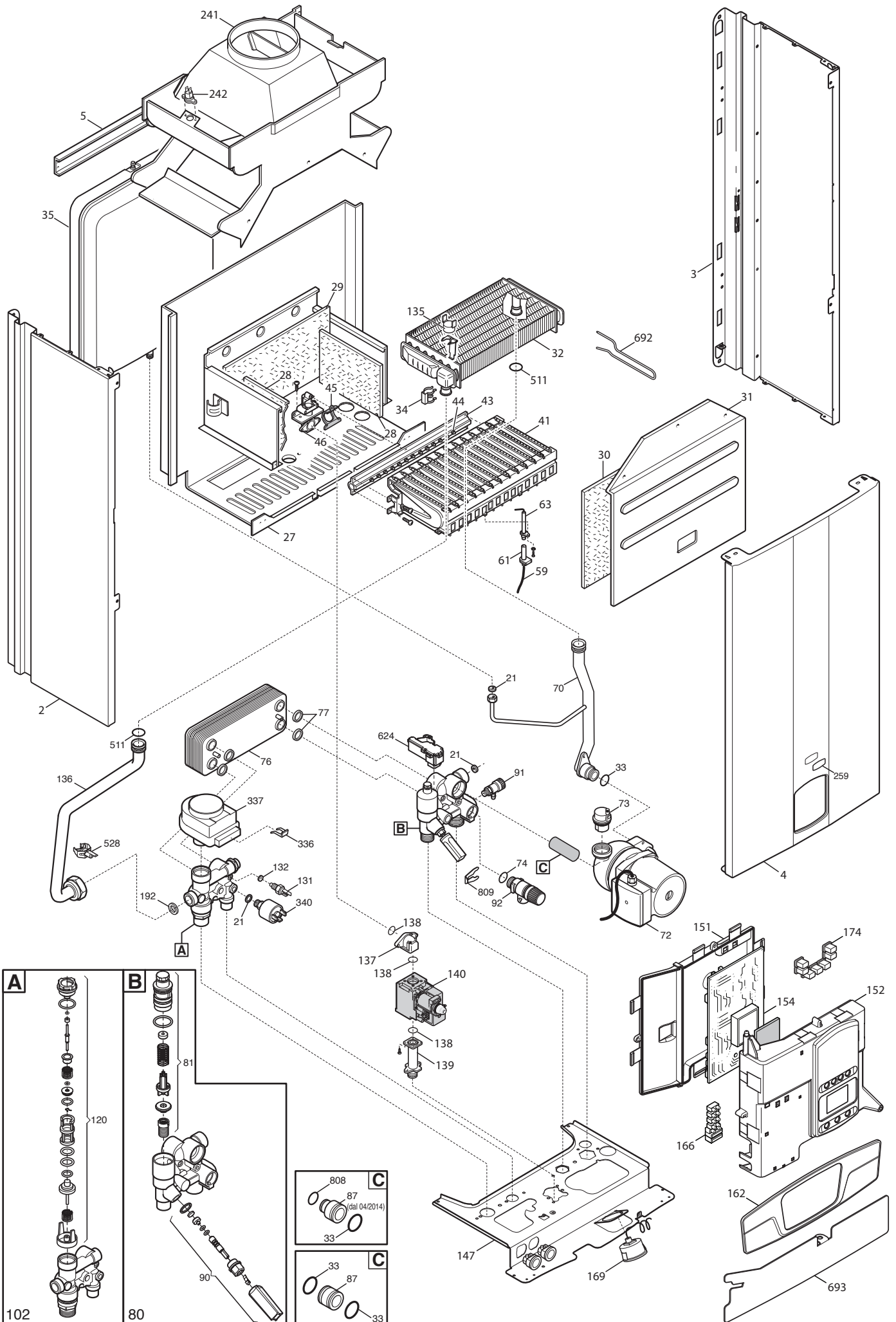
TABELLA COLLEGAMENTO CODICE CALDAIA - ESPLOSO
TABLEAU CONNECTION CODEX CHAUDIERE - VUE ECLATEE
BOILERS CONNECTION BOARD - EXPLODED VIEW

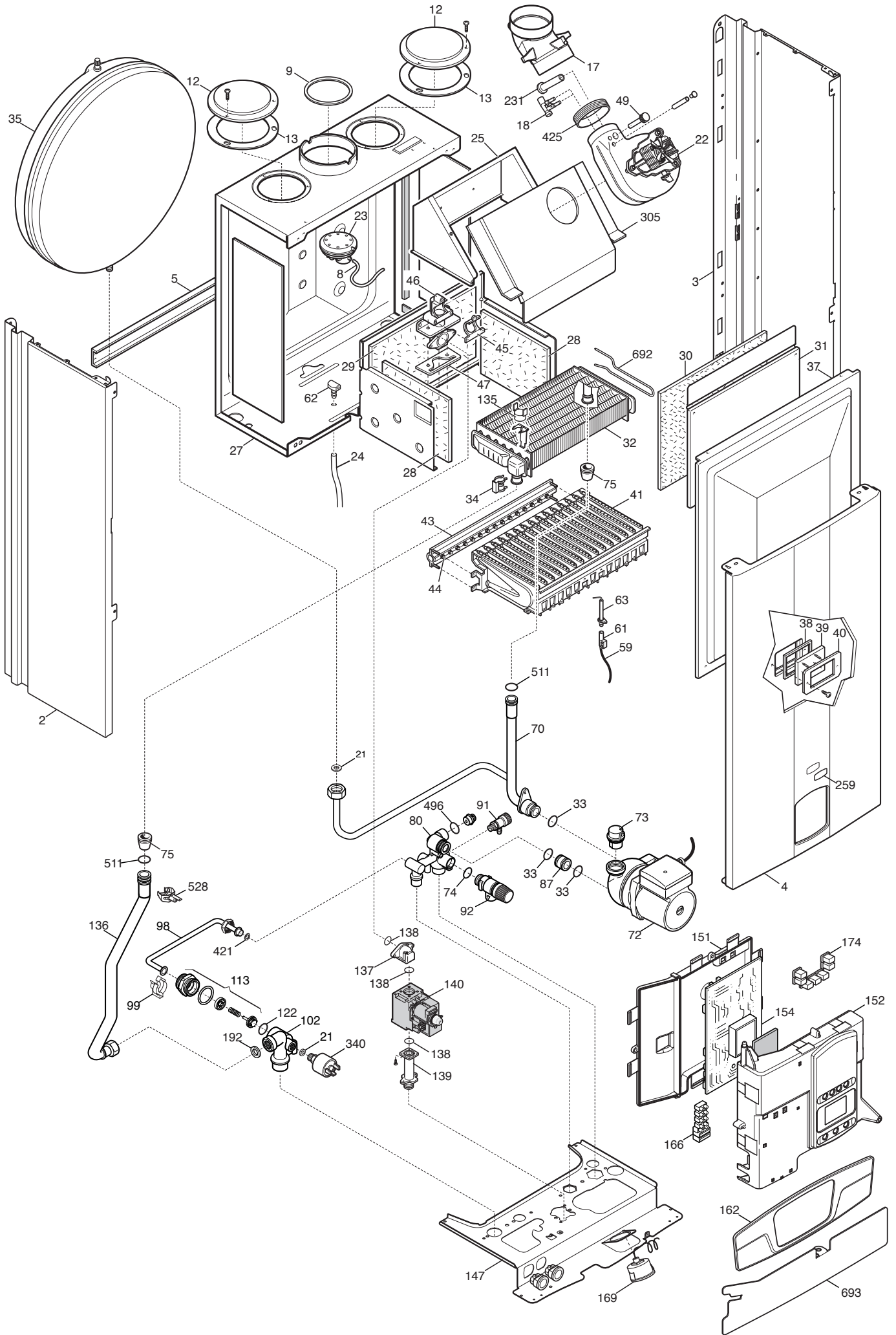
BOILER CODE	BOILER DESCRIPTION	EXPLODED REF.
CODICE CALDAIA	DESCRIZIONE CALDAIA	RIF. ESPLOSO
CODIGO CALDERA	DESCRIPCION CALDERA	REF. EXPLOSIONADO
CODE CHAUDIÈRE	DESCRIPTION CHAUDIÈRE	RÉF. EXPLOSÉE
CSE461143540	ECOFOUR 1.14	Tab 382
CSE465143541	ECOFOUR 1.14 F	Tab 433
CSE465143540	ECOFOUR 1.14 F	Tab 384
CSE461243540	ECOFOUR 1.24	Tab 382
CSE465243541	ECOFOUR 1.24 F	Tab 433
CSE465243540	ECOFOUR 1.24 F	Tab 384
CSE462243541	ECOFOUR 24	Tab 383
CSE462243540	ECOFOUR 24	Tab 383
CSE466243542	ECOFOUR 24 F	Tab 434
CSE466243541	ECOFOUR 24 F	Tab 434
CSE466243540	ECOFOUR 24 F	Tab 385

Pos	Code	Description code	CSE461143540 1,14	CSE465143540 1,14 F	CSE465143541 1,14 F	CSE461243540 1,24	CSE465243540 1,24 F	CSE465243541 1,24 F	CSE462243540 24	CSE462243541 24	CSE466243540 24 F	CSE466243541 24 F	CSE466243542 24 F	To serial number	From serial number	Intercha ngeable:
2	5698660	LEFT PANEL ASSEMBLY ECO4 ATM.	•			•		•	•							
2	5698680	LEFT PANEL ASSEMBLY ECO4 FF		•	•		•	•			•	•	•			
3	5698650	RIGHT PANEL ASSEMBLY ECO4 ATM.	•			•		•	•							
3	5698670	RIGHT PANEL ASSEMBLY ECO4 FF		•	•		•	•			•	•	•			
4	628820	FRONTAL PANEL ASS. ECO4 ATM	•	•	•	•	•	•	•	•	•	•	•			
5	5117420	TRAVERSE SIDES CONNECTION FF		•	•		•	•			•	•	•			
5	5117460	TRAVERSE SIDES CONNECTION-ATM-	•			•		•	•							
8	5408080	PRESSURE SWITCH PIPE L=270		•	•		•	•			•	•	•			
9	5117740	FLUE REDUCTION d.78mm		•	•		•	•			•	•	•			
12	5108690	PLATE BLANKING		•	•		•	•			•	•	•			
13	5407400	SUCTION CAP GASKET		•	•		•	•			•	•	•			
17	5214290	BEND FLUE EMISSIONS ECO4		•	•		•	•			•	•	•			
18	5409580	PRESSURE SENSING VENTURI 80E		•	•									C045		
18	5413850	PRESS.SENS.VENTURI SINGLE TAP					•	•			•	•	•			
18	710364700	PRESSURE SENSING VENTURI		•	•										C046	
21	5402050	WASHER-SEALING	•	•	•	•	•	•	•	•	•	•	•			
22	5678500	FAN 31W		•	•											
22	5682150	FAN					•	•			•	•	•			
23	628610	PRESS.SWITCH ASS. 0,68mbar HONEYW.					•								C121	YES
23	628610	PRESS.SWITCH ASS. 0,68mbar HONEYW.						•			•	•	•			
23	628630	PRESS.SWITCH ASS. 0.4mbar HONEYW.		•	•											
23	628770	FLUE PRESS.SWITCH 70-60Pa HUBA					•	•			•	•	•			
23	628800	FLUE PRESS.SWITCH 50-39Pa HUBA		•	•									1312		
23	5663820	PRESSURE SWITCH 80 ASS. IND.					•				•			C120		
23	710789900	PRESSURE SWITCH ASSEMBLY HUBA					•	•			•	•	•	1448		
23	711277100	FLUE PRESS. SWITCH 50-39Pa HUBA		•	•										1313	YES
23	721890300	FLUE PRESS.SWITCH 70-60Pa HUBA					•	•			•	•	•		1449	YES
24	5407930	PIPE - VALVE COMPENSATION		•			•				•			B923		
24	5414320	PIPE-VALVE COMPENS.4,5x8 L=170		•			•				•				B924	YES

Pos	Code	Description code	CSE461143540 1.14 F	CSE465143540 1.14 F	CSE465143541 1.14 F	CSE461243540 1.24 F	08465243540 1.24 F	CSE465243541 1.24 F	CSE462243540 24	CSE46243541 24	CSE46243540 24 F	CSE46243541 24 F	CSE46243541 24 F	CSE46243541 24 F	CSE46243541 24 F	To serial number	From serial number	Intercha ngeable:
137	5214280	GAS VALVE ELBOW OUTLET FF		•	•		•	•			•	•	•					
138	5402010	O RING 22.22x2.62	•	•	•	•	•	•	•	•	•	•	•					
139	5206620	CONNECTOR-GAS VALVE INLET	•	•	•		•	•		•	•	•	•					
140	5653610	GAS VALVE - SIGMA 845048	•	•	•	•	•	•	•	•	•	•	•					
140	5665220	GAS VALVE HON.	•	•	•	•	•	•	•	•	•	•	•					
147	5693850	CONNECTION TRAVERSE ECO4	•	•	•	•	•	•			•	•	•					
151	631660	CONTROL PANEL ECO4								•			•					
151	631660	CONTROL PANEL ECO4	•	•	•	•	•	•			•	•					1224	
151	5413650	CONTROL PANEL COVER ECO4	•	•	•	•	•	•			•	•				1223		
152	5698880	CONTROL PANEL ECO4 BAXI	•	•	•	•	•	•		•	•	•	•					
154	5702450	PCB GROUP BERT&PART HDIMS 02	•	•	•	•	•	•	•	•	•	•	•					
154	710825300	PCB SM11469	•	•	•	•	•	•	•	•	•	•	•					
162	5702560	PANEL PLATE ECOFOUR BAXI	•	•	•	•	•	•	•	•	•	•	•					
166	5688430	TERM.BOARD/DOUBLE FUSE HOLDER	•	•	•	•	•	•	•	•	•	•	•					
168	9950580	FUSE			•			•				•	•					
169	9951650	MANOMETER D.40	•	•	•	•	•	•	•	•	•	•	•					
174	5414010	KEYBOARD ECO4 BAXI	•	•	•	•	•	•	•	•	•	•	•					
192	5404650	SEALING WASHER G 3/4	•	•	•	•	•	•	•	•	•	•	•					
231	5409480	FLUE INTAKE		•	•		•	•			•	•	•					
241	5668420	CONVEYOR ASSEMBLY				•			•	•								
241	5678060	FLUE CHAMBER ASSEMBLY 14KW	•															
242	606930	FLUE SAFETY THERMOSTAT 60C	•															
242	616160	FLUE SAFETY THERMOSTAT 70ø				•			•	•								
259	5681120	BRAND BAXI LUNA3	•	•	•	•	•	•	•	•	•	•	•					
305	5113810	EVACUATION SMOKE CHIMNEY		•	•		•	•			•	•	•					
336	8380680	CLIP-RETAINING							•	•	•	•	•					
337	5694580	3 WAY VALVE MOTOR							•	•	•	•	•					
340	9951690	PRESSURE SWITCH	•	•	•	•	•	•	•	•	•	•	•					







Tab 385

