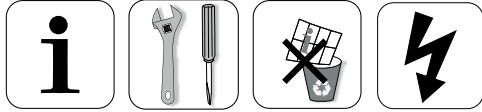


# ESBE

## SERIES CRA, CRB, CRC, CRD, CRS



Series CRA110, CRA140, CRA150  
 Series CRB100  
 Series CRC110, CRC140  
 Series CRD100  
 Series CRS130

LVD 2014/35/EU  
 EMC 2014/30/EU  
 RoHS 2011/65/EU  
 RED 2014/53/EU  
 EN 300220-2

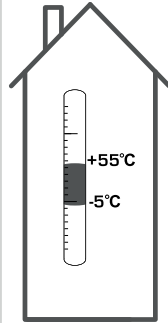


CE

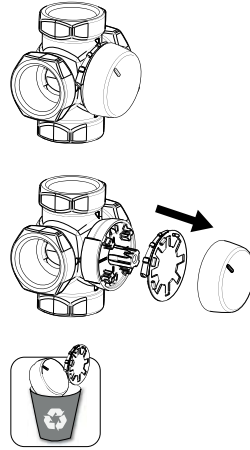


DECLARATION OF CONFORMITY  
<http://www.esbe.eu/global/en/support/download-documents> (Certificates)

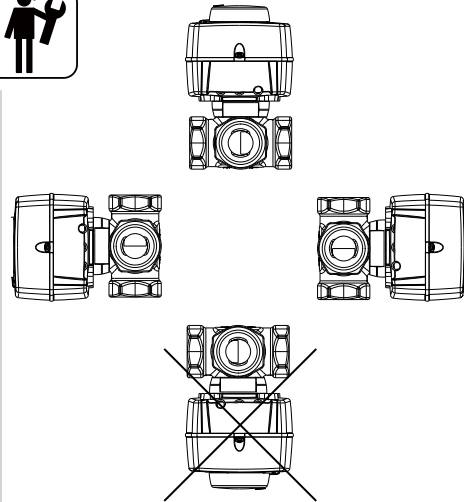
**i**



**1**



**2**

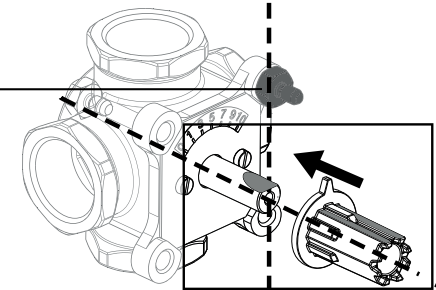


**3**

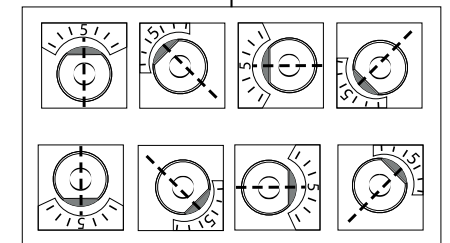
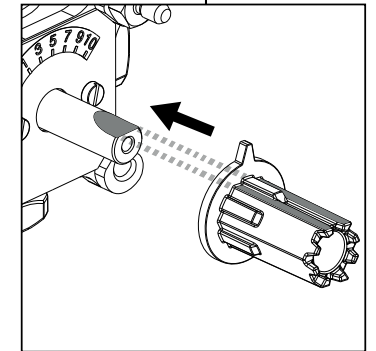


### MG, G, F, H, HG, BIV, T, TM

	DN15-25	
	DN20-40	
	DN50	
	DN20-25	
	DN32-50	
	H: DN25	
	H: DN32-50	
	HG: DN25	
	DN20-22	
	DN25	
	T: DN20-32	
	TM: DN20	



Boiler-Gas.ru  
 Перейти на сайт



**i**



CRA110, CRA140, CRA150  
 CRB100  
 CRC110, CRC140  
 CRD100  
 CRS130



VRG, VRB, VRH

3MG, 4MG



3G, 4G

3F, 4F ≤ DN50

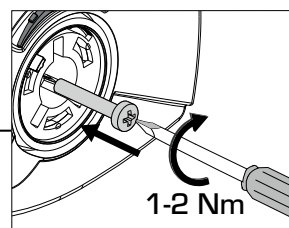
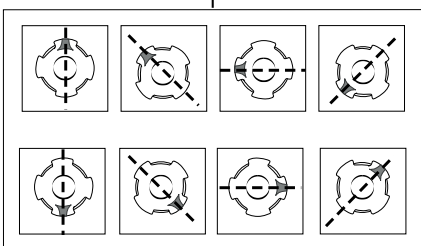
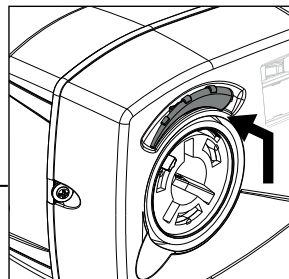
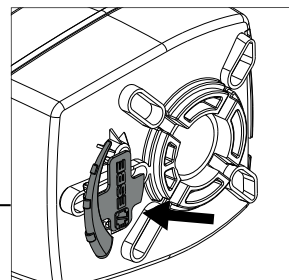
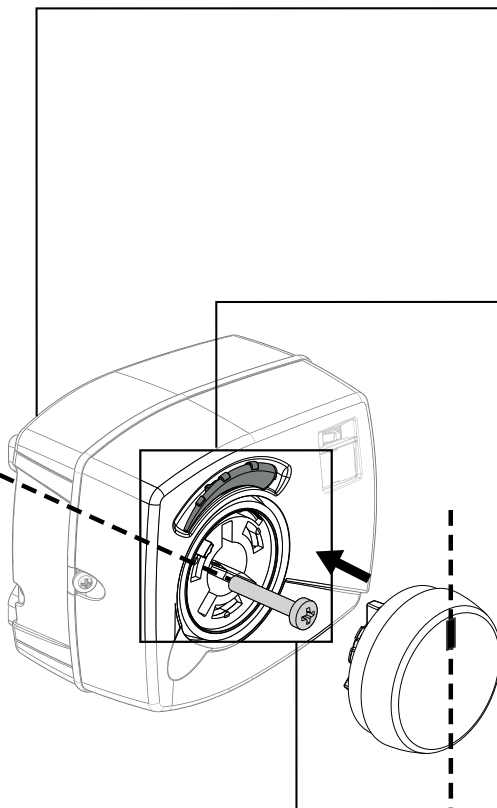
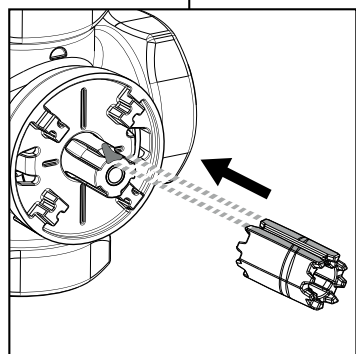
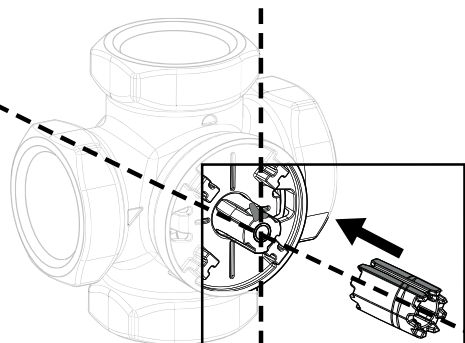
3HG, 4HG, 3H, 4H



BIV

T, TM

**VRG130, VRG140,  
VRG230, VRG330  
VRB140, VRH130**



**ESBE**<sup>®</sup>  
www.esbe.eu

 **Boiler-Gas.ru**  
Перейти на сайт

Mtrl.n: 98140403 • Ritn.n: 8308 utg. E • Rev. 1710



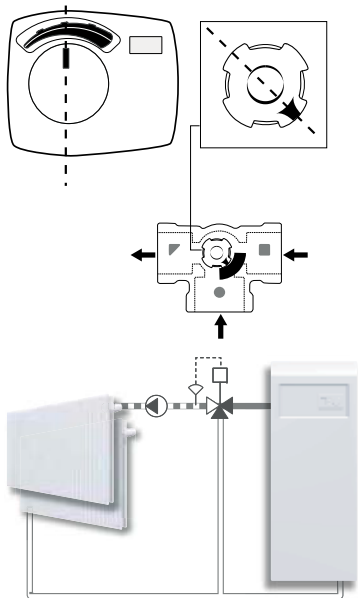
**SERIES**  
**CRA110, CRA140, CRA150, CRB100,  
CRC110, CRC140, CRD100, CRS130**

**ESBE**<sup>®</sup>

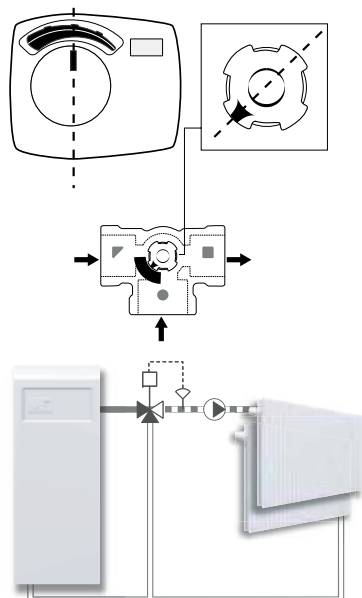
NO.1 IN HYDRONIC SYSTEM CONTROL

**SERIES VRG130**

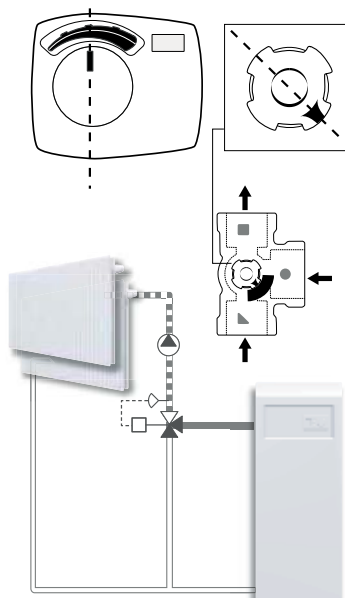
**a**



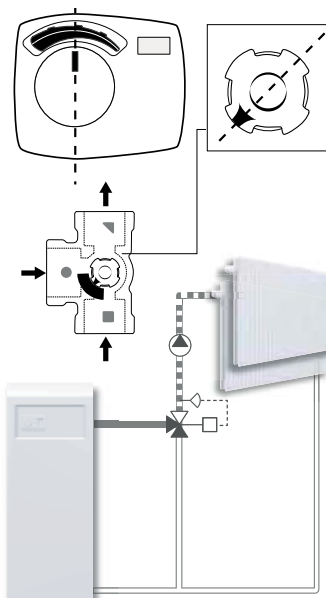
**b**



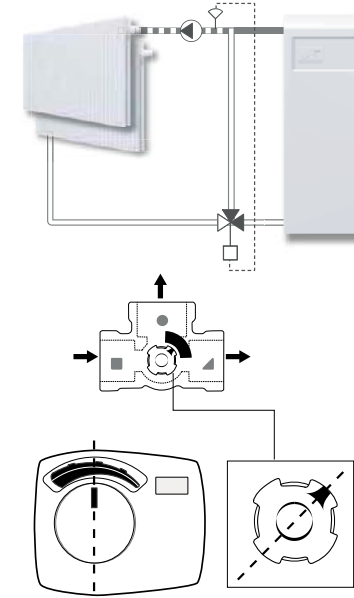
**c**



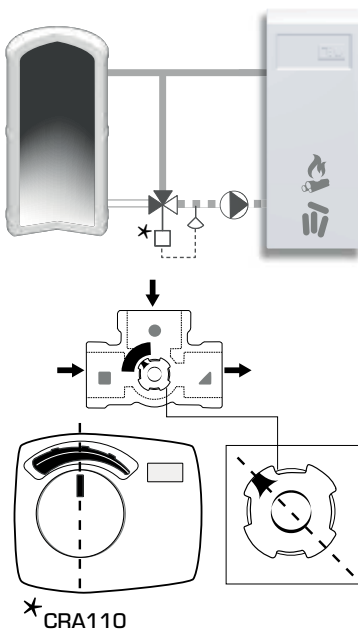
**d**



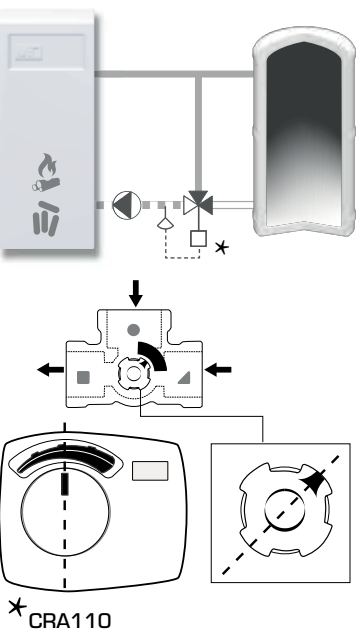
**e**



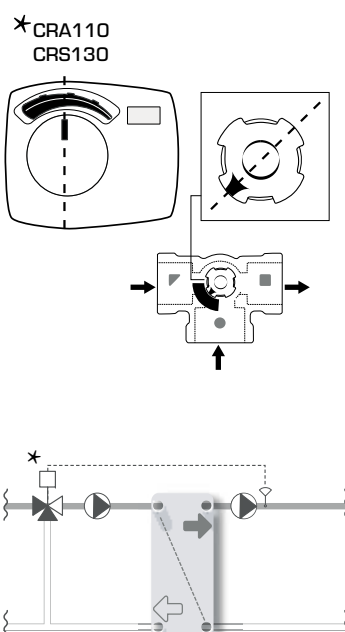
**k**



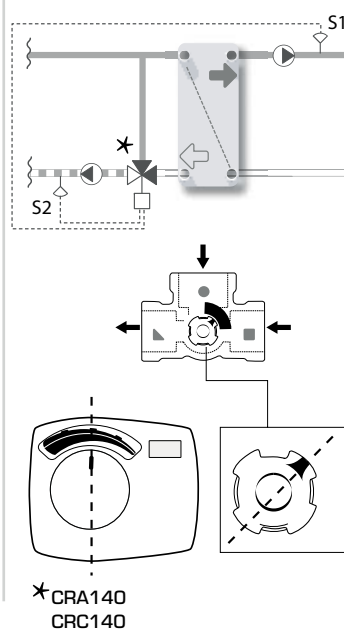
**l**



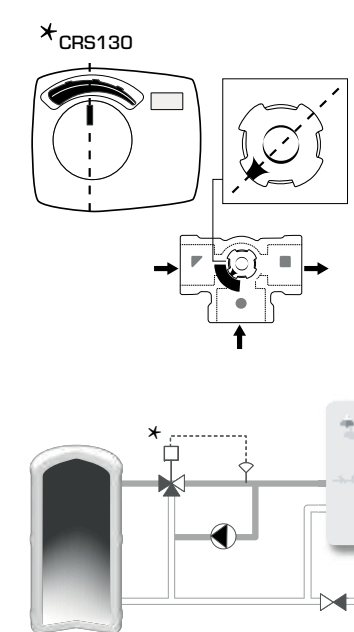
**m**



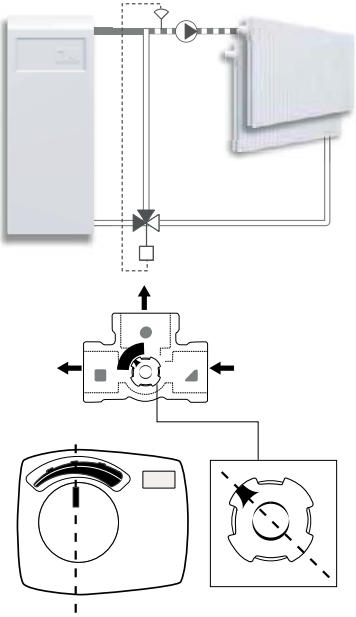
**n**



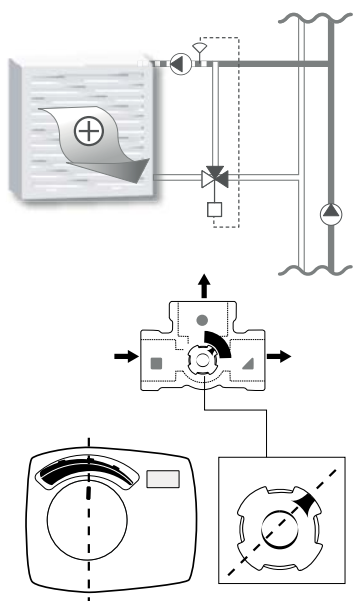
**o**



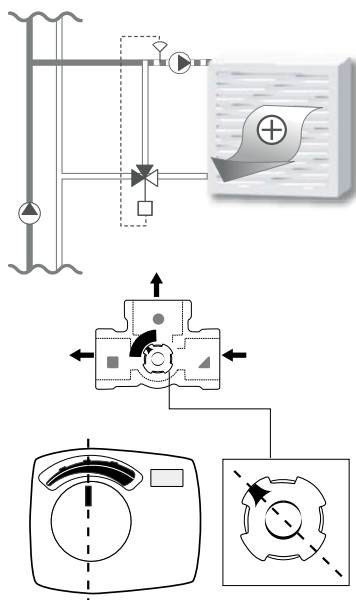
**f**



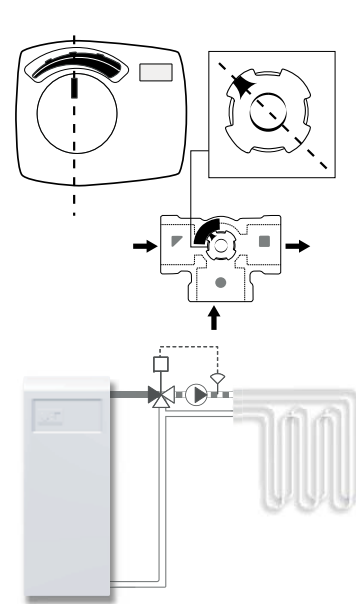
**g**



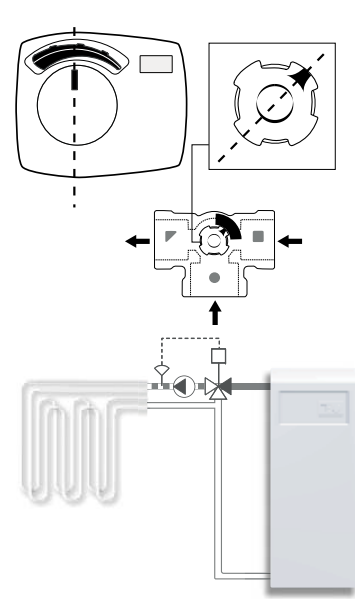
**h**



**i**

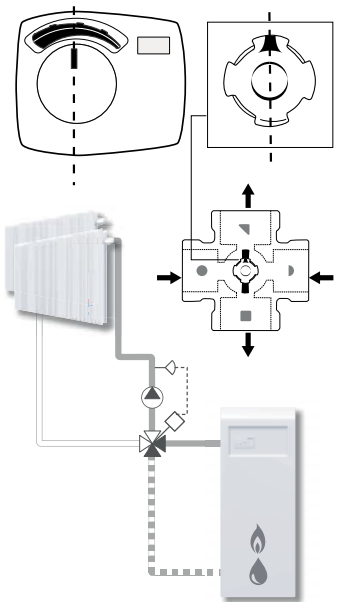


**j**

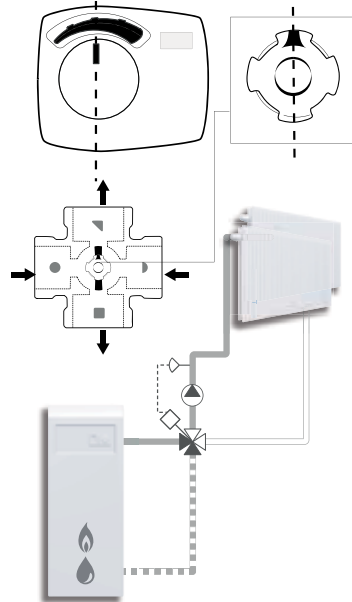


**SERIES VRG140**

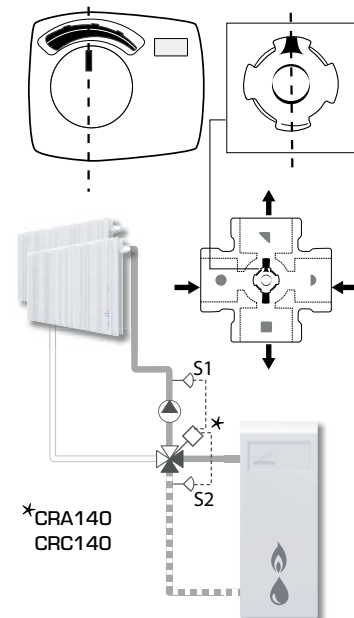
**a**



**b**

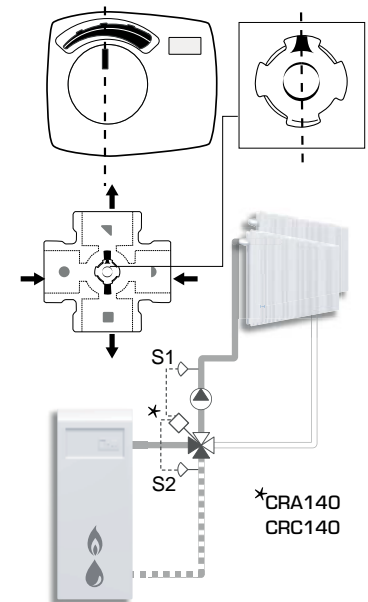


**c**



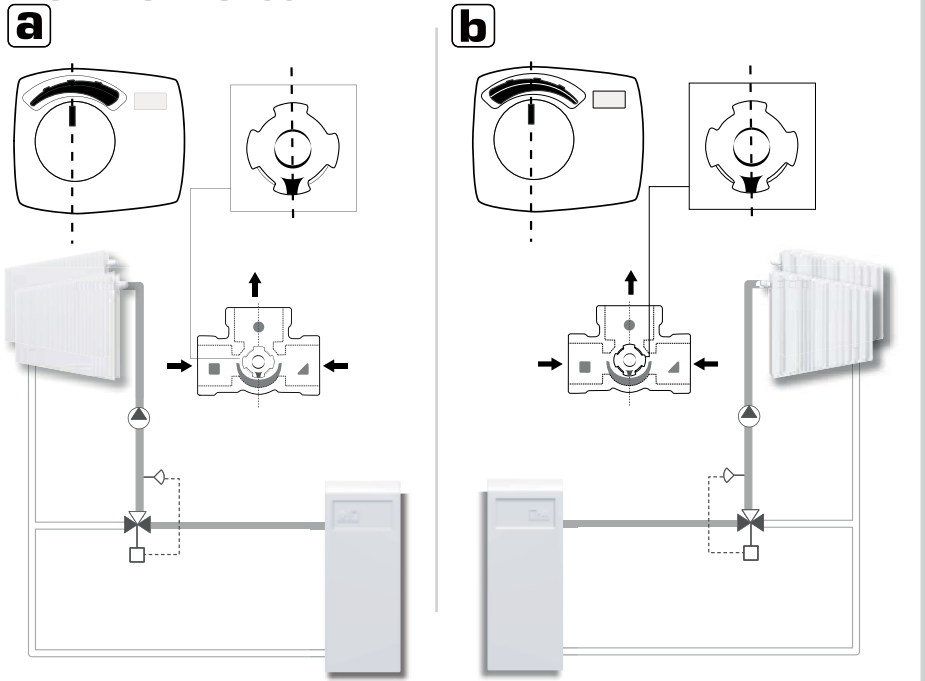
\*CRA140  
CRC140

**d**

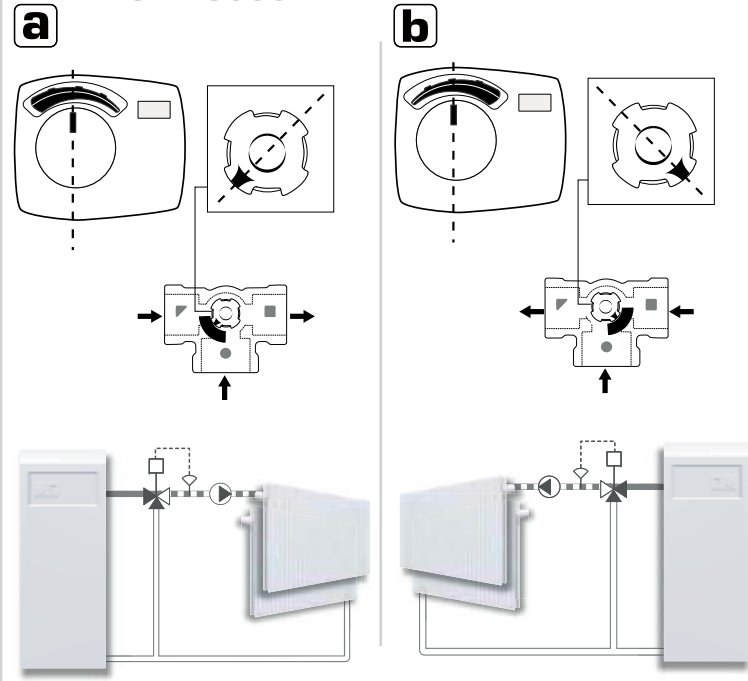


\*CRA140  
CRC140

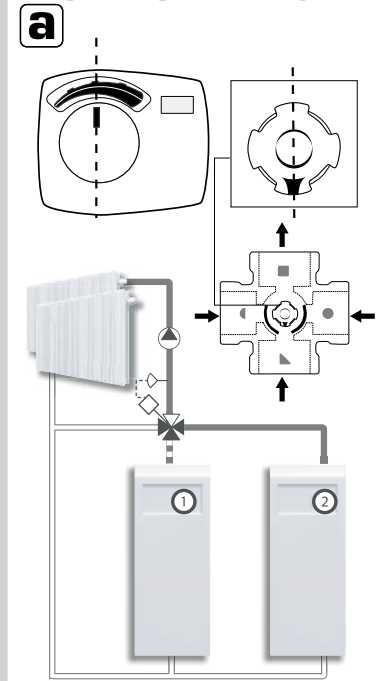
### SERIES VRG230



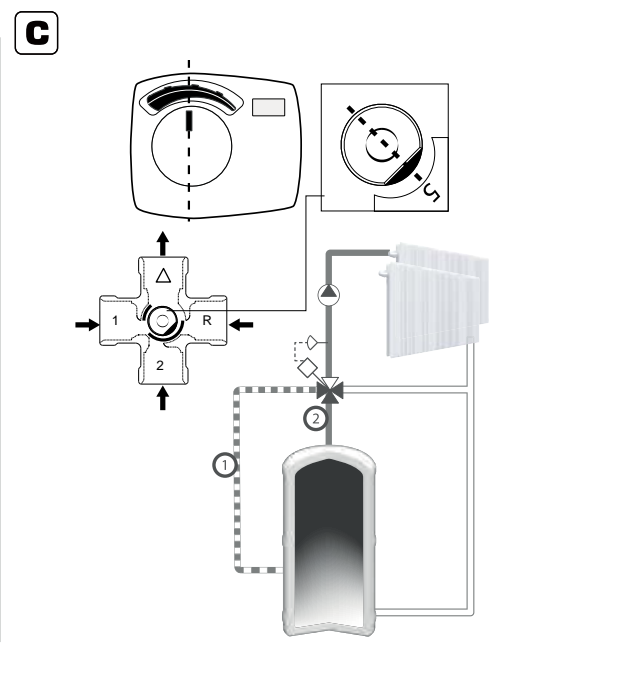
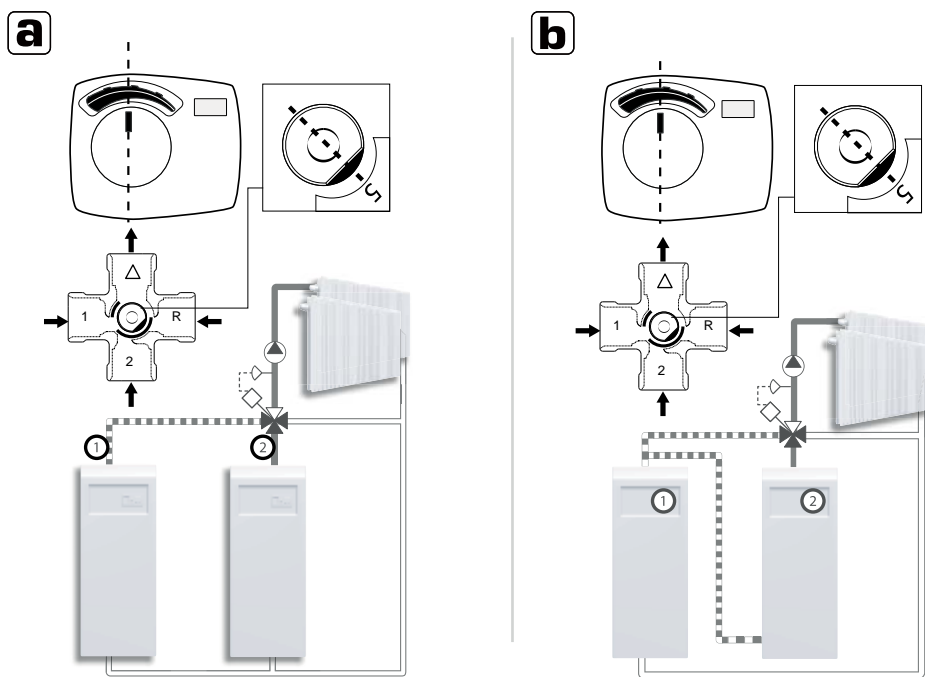
### SERIES VRG330



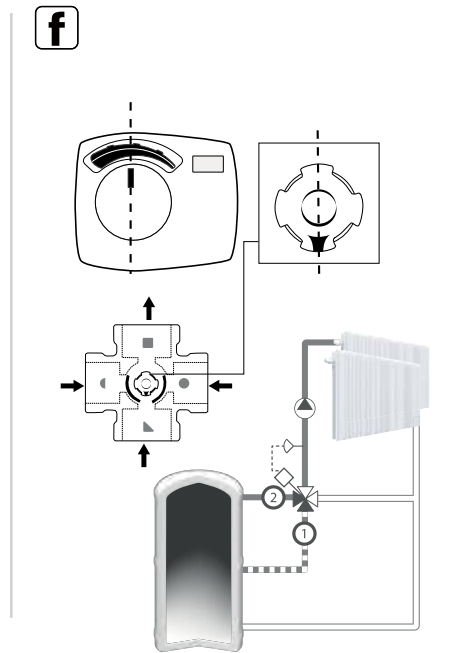
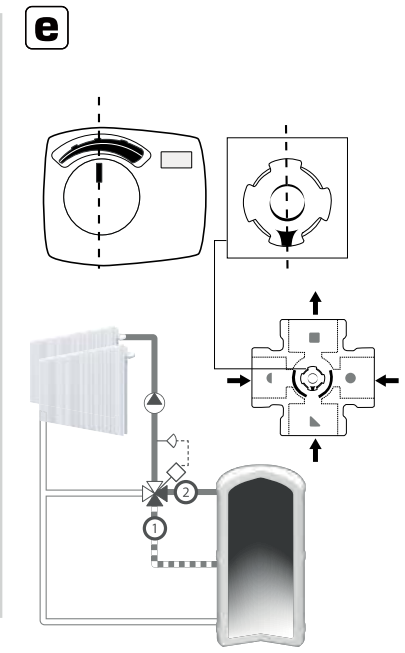
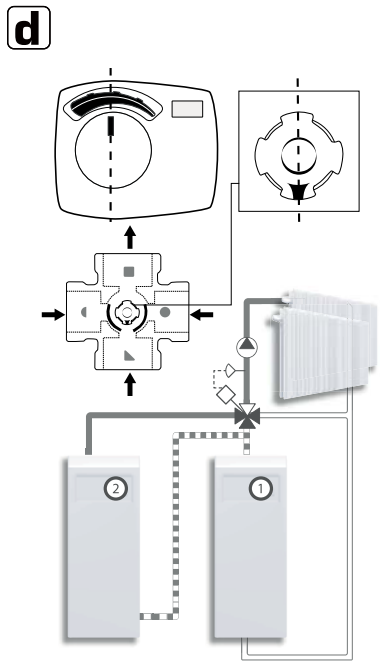
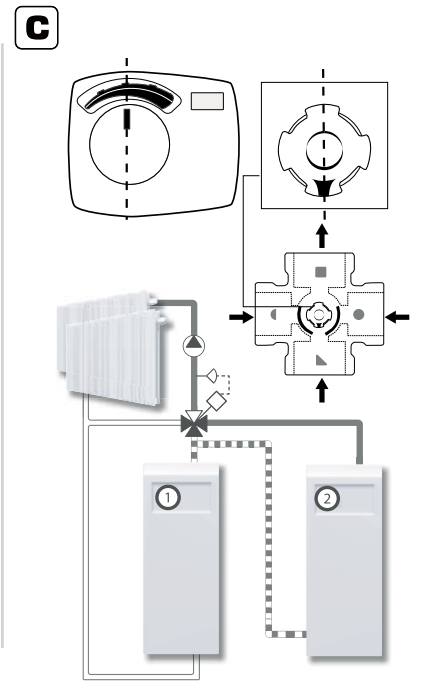
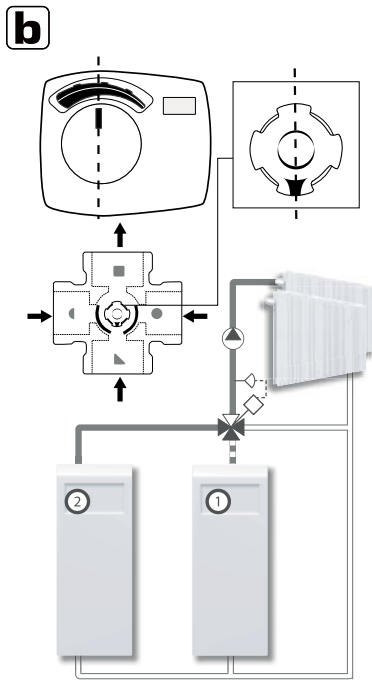
### SERIES VRB140



### SERIES BIV

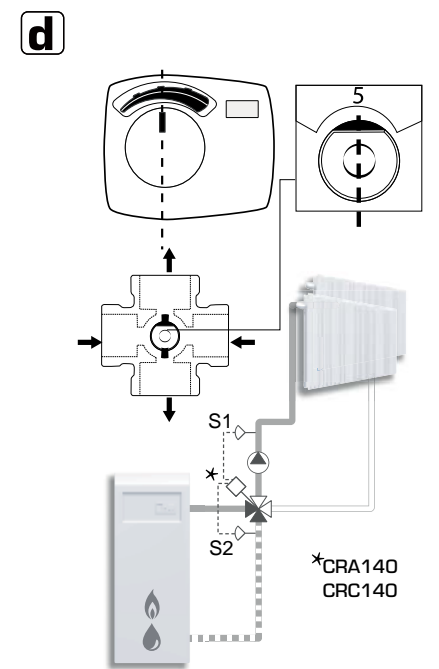
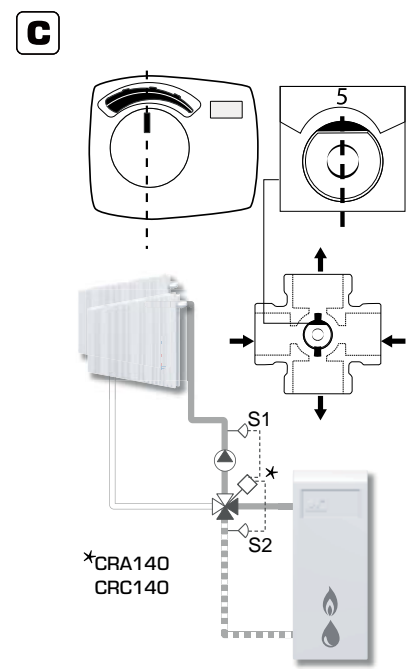
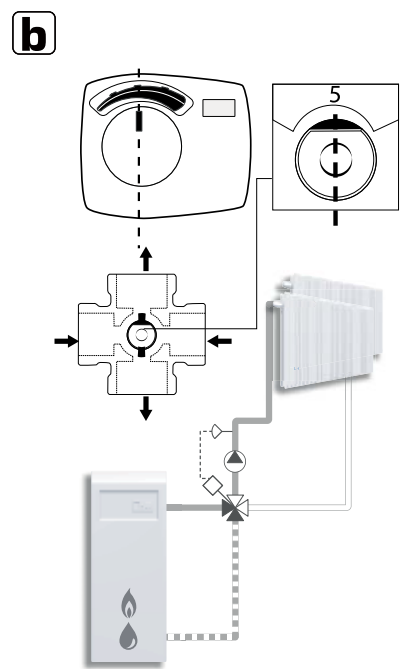
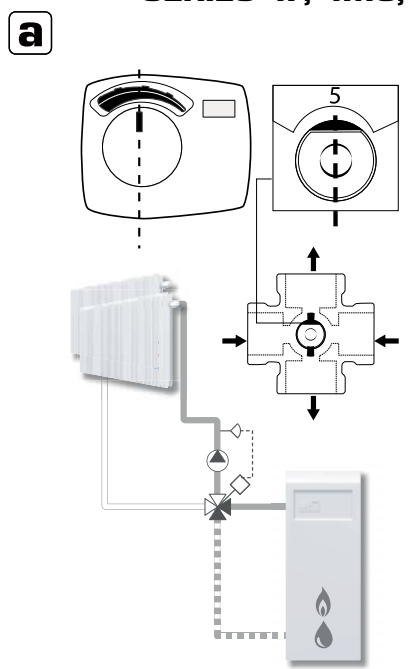


*\*We would like to point out the existence of a German patent DE 1 002 126/05 affecting the usage of bivalent 4-way valves in liquid circulation heating systems. In this patent the use of a 4-way bivalent valve in a type of heating system is proposed, in which 2 different heating circuits are operated in parallel, where the return of the first circuit is utilized as heat source for the parallel second heat circuit. A typical application would be a primary heat circuit with a heat source and a parallel floor heating, where the floor heating in a regulated manner is heated through its heat source and the return from the primary heat circuit is utilized as alternative secondary heat source for the floor heating. Such a utilization of our bivalent 4-way valve without approval of the patent holder is forbidden. All other applications our product group VRB are without restrictions possible.*



SERIES VRB140

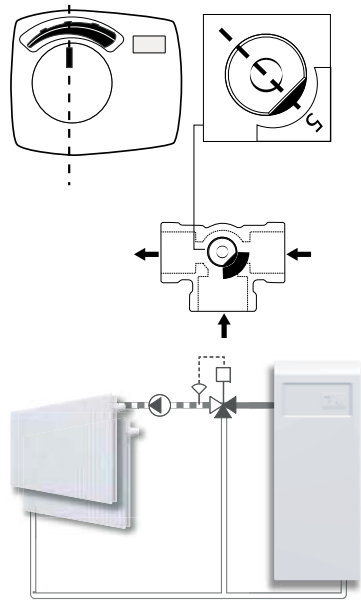
**SERIES 4F, 4MG, 4G**



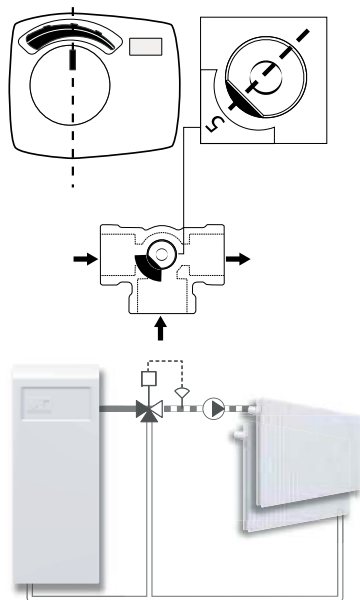


**SERIES 3F, 3MG, 3G**

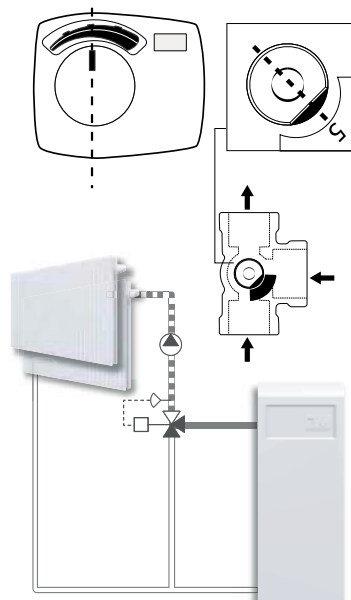
**a**



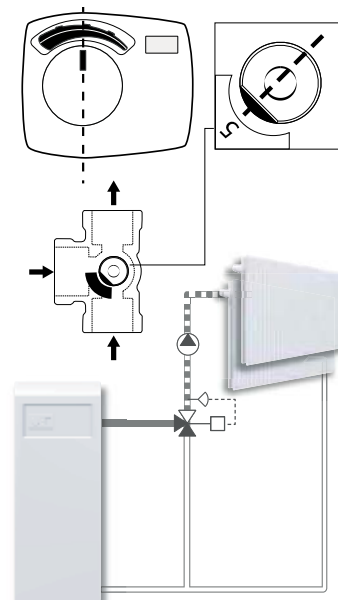
**b**



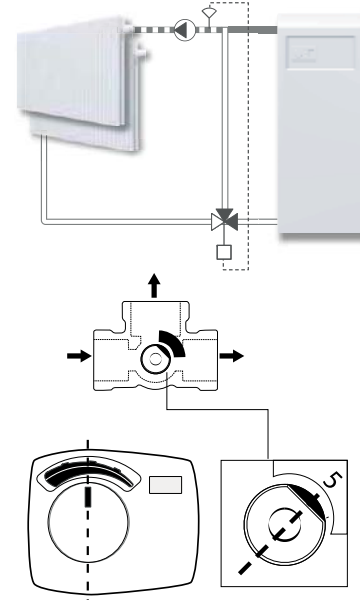
**c**



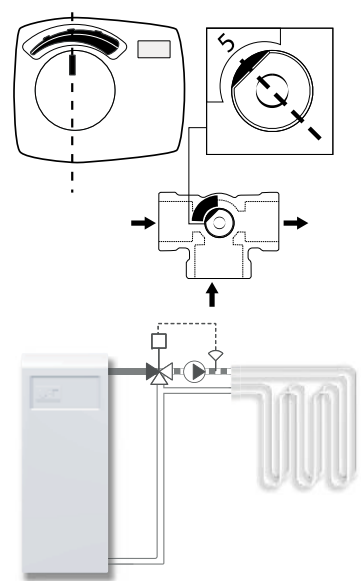
**d**



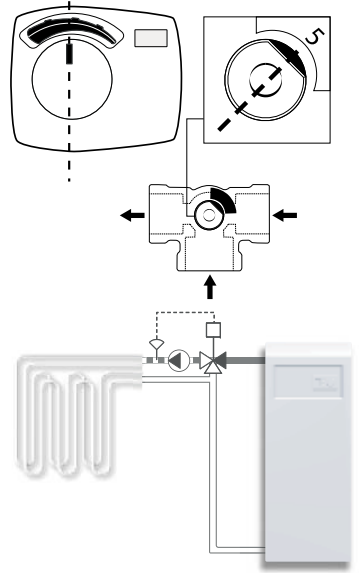
**e**



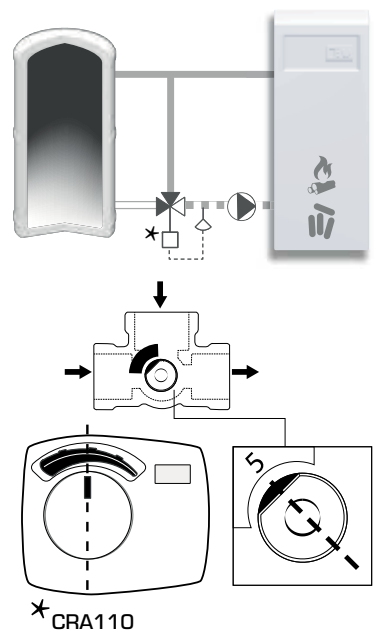
**k**



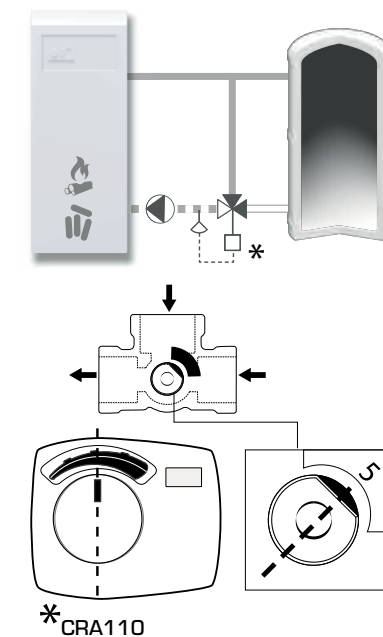
**l**



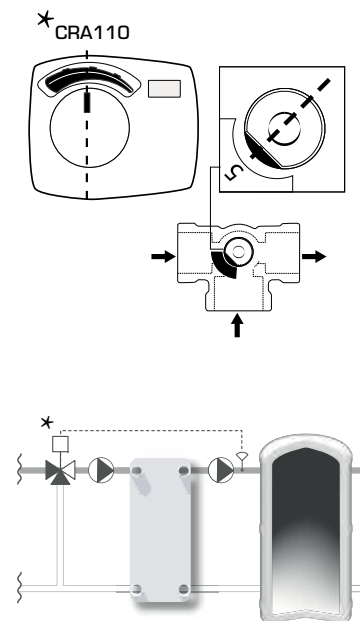
**m**

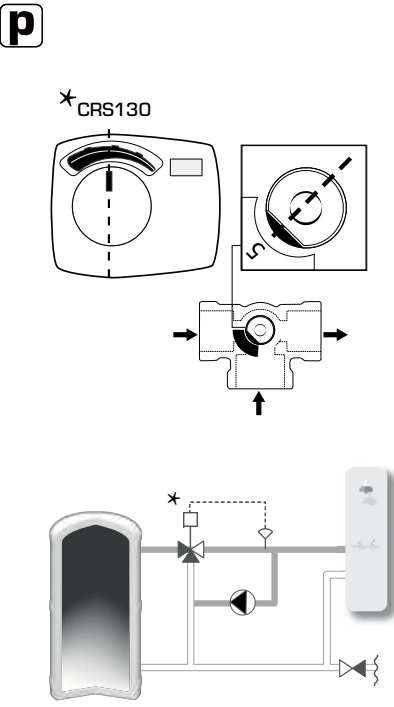
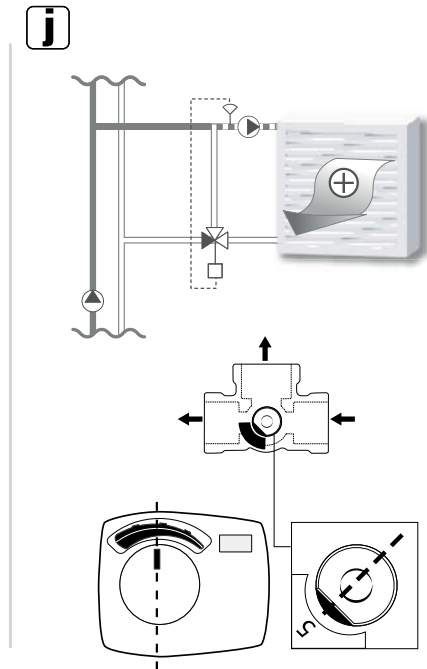
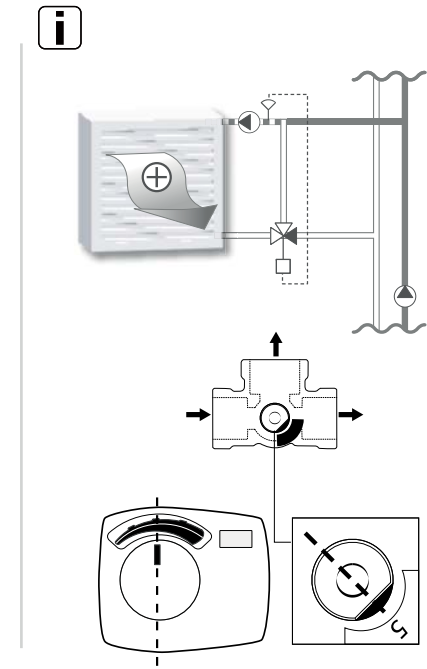
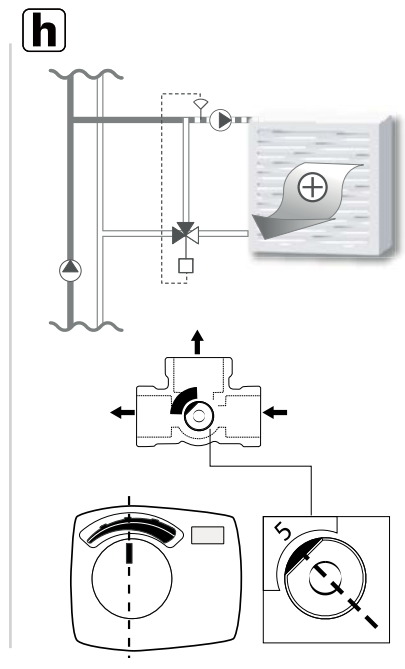
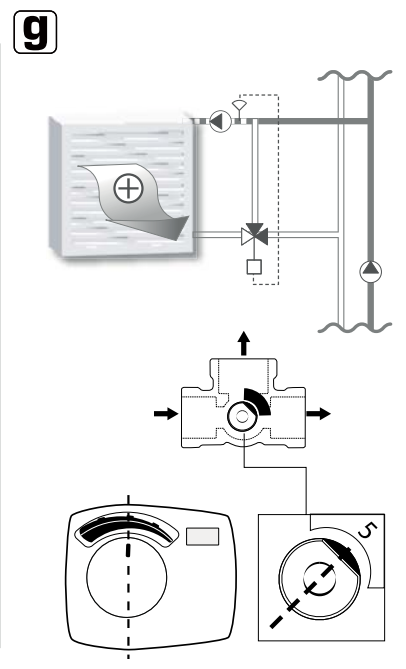
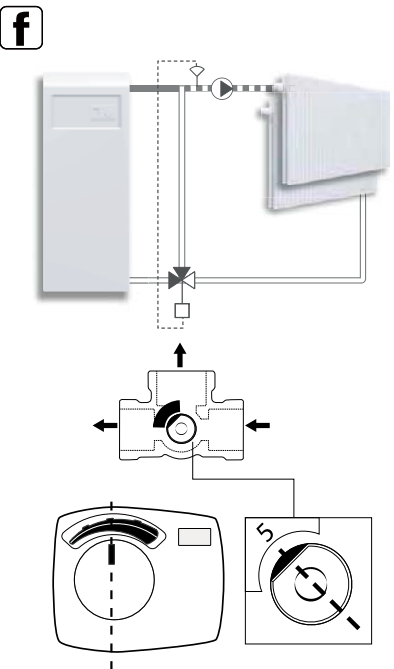


**n**



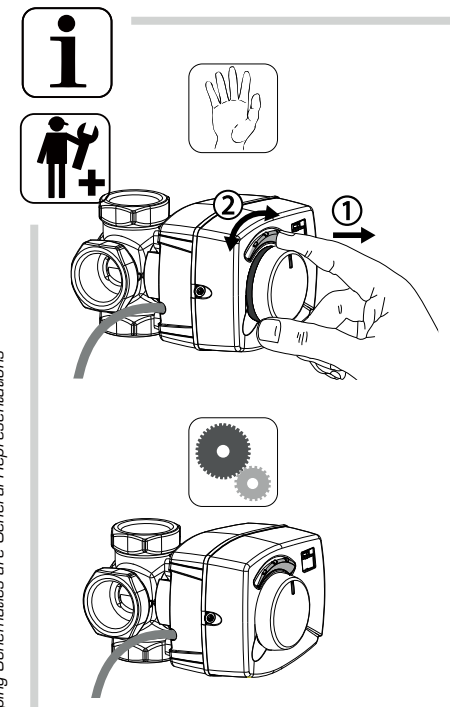
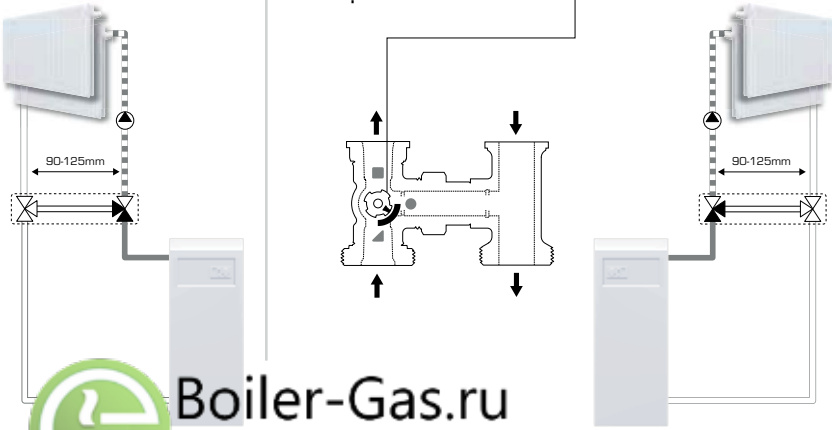
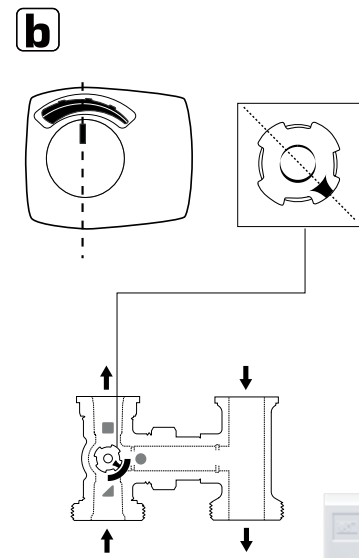
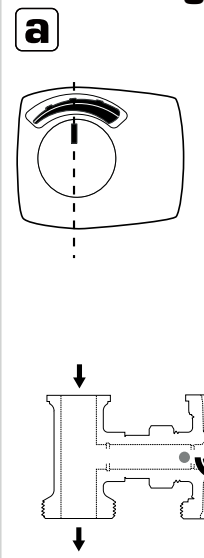
**o**





SERIES 3F, 3MG, 3G

**SERIES VRH130**



Piping Schematics are General Representations