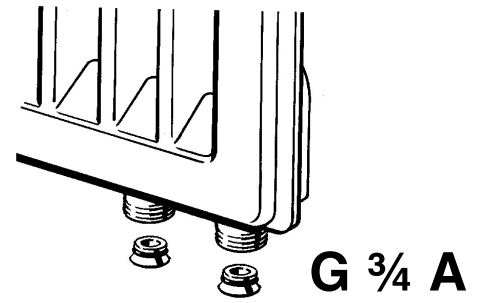
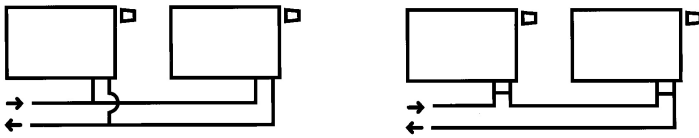
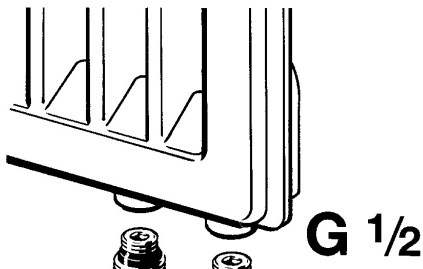
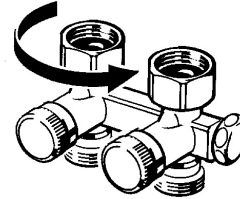


013R9262

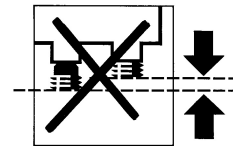
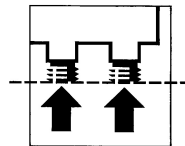
013R9262



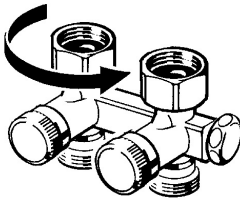
30 - 40 Nm



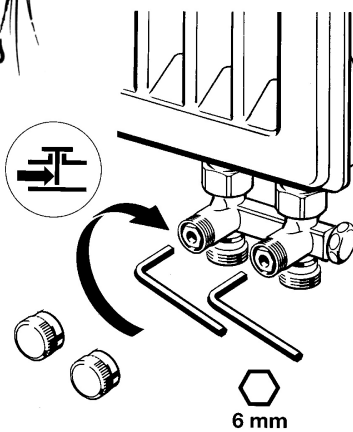
10 mm



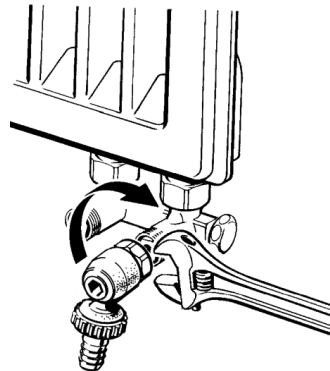
30 - 40 Nm



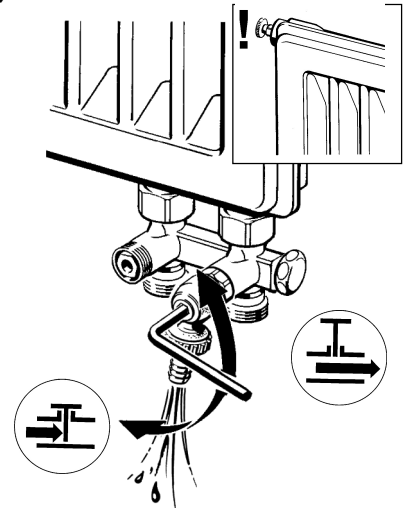
1)

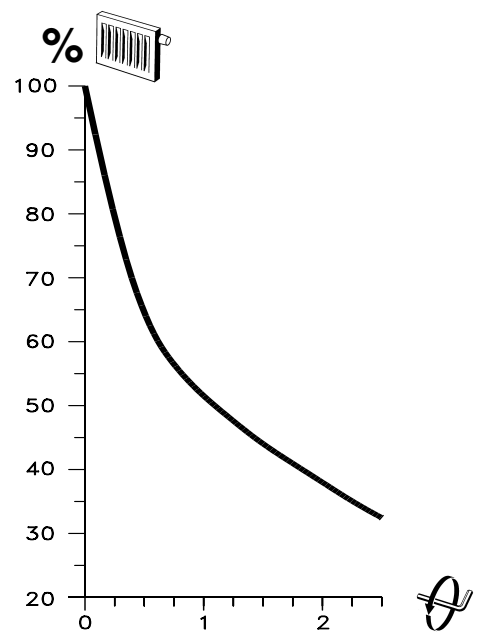
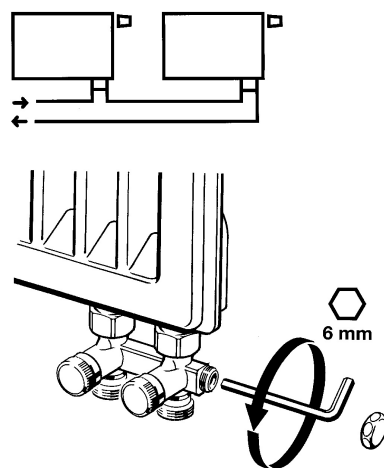
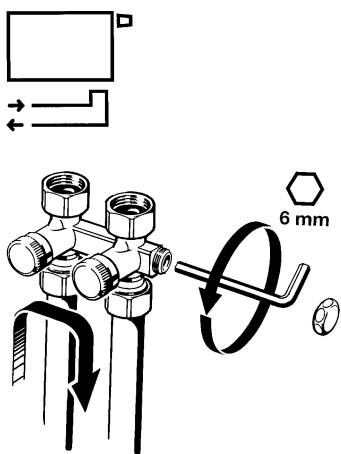
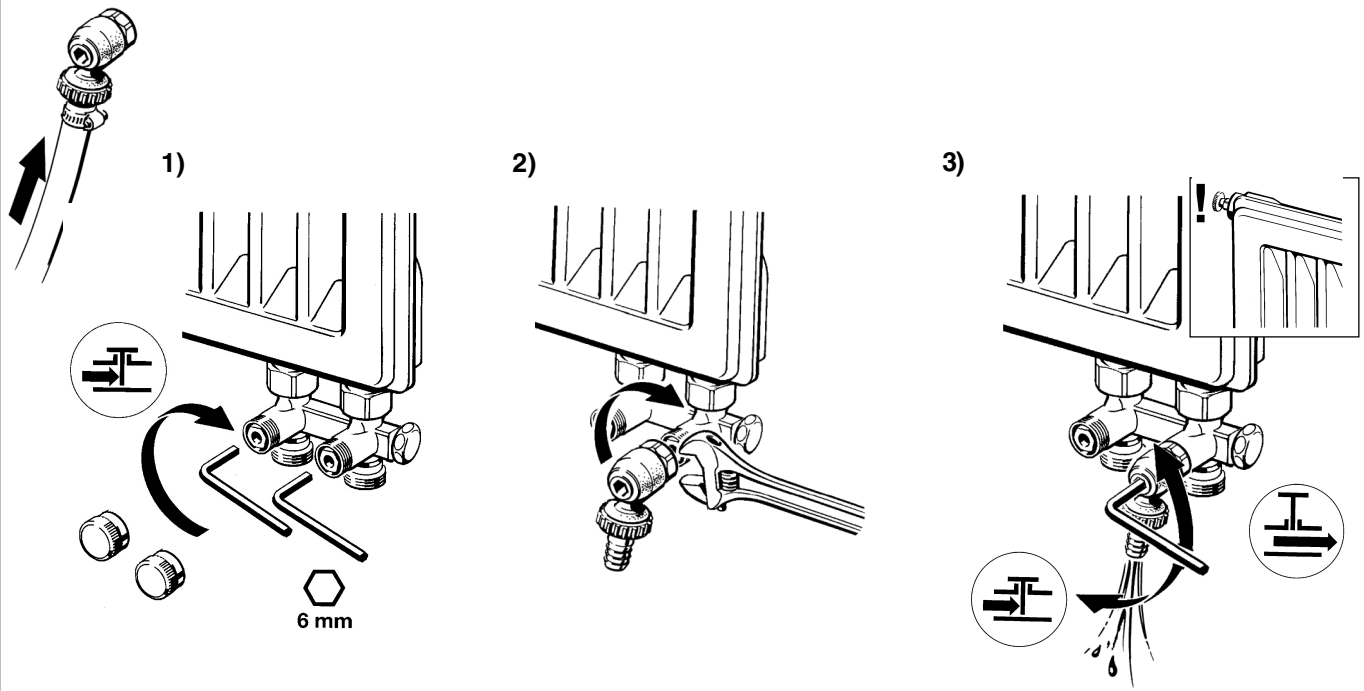
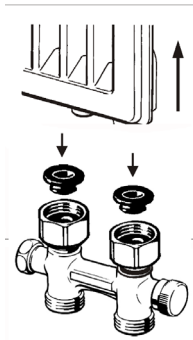


2)



3)







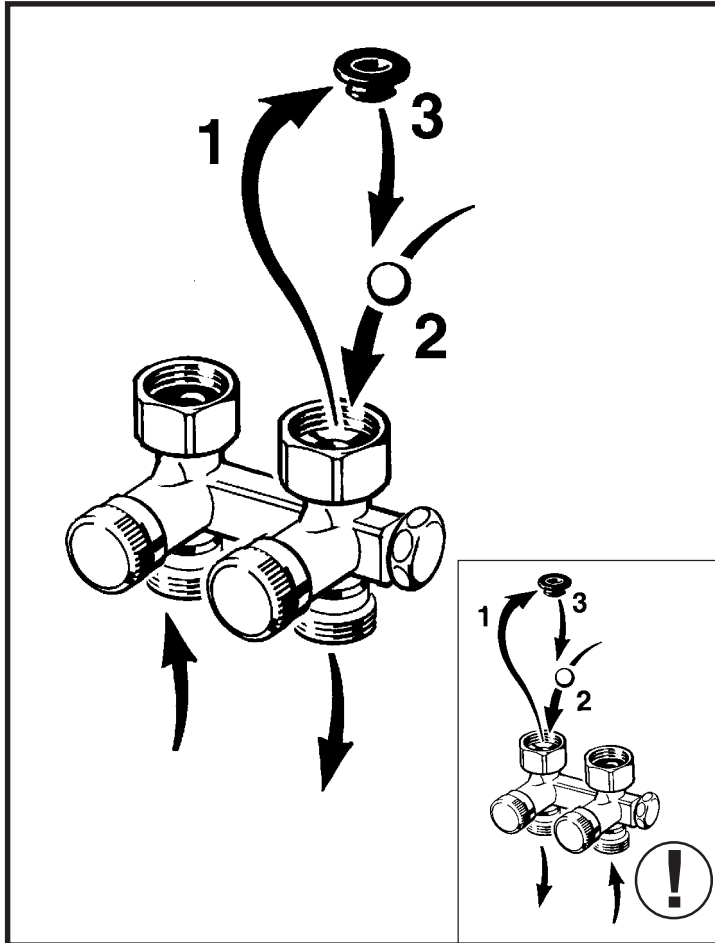
Danfoss

INSTRUCTIONS
Convection brake



013R9263

013R9263



CD-ST

02-1999 VI.16.B5.00

