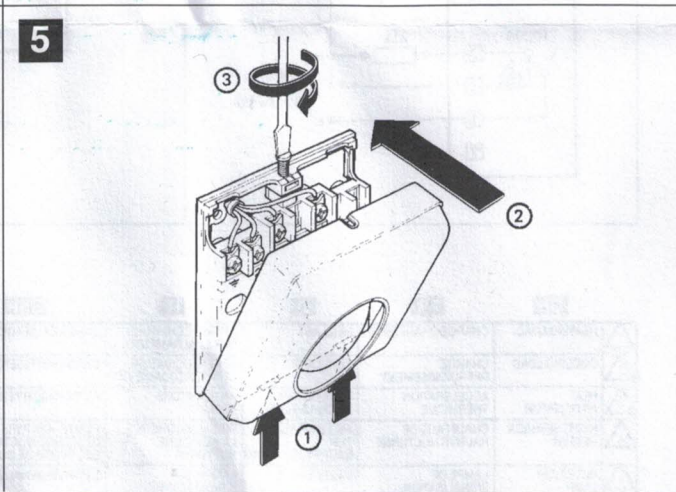
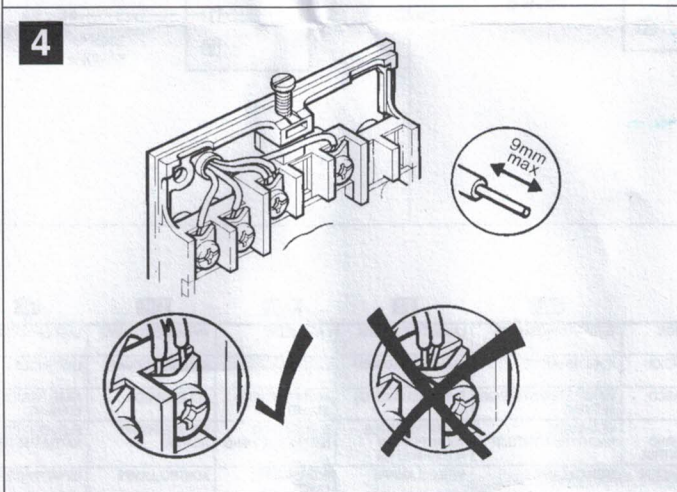
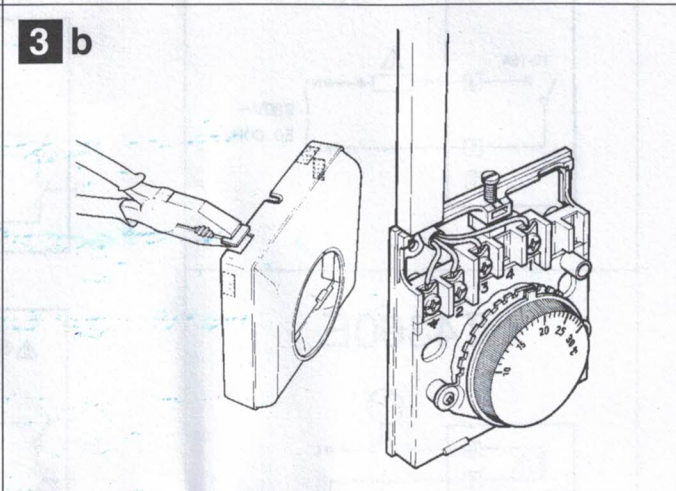
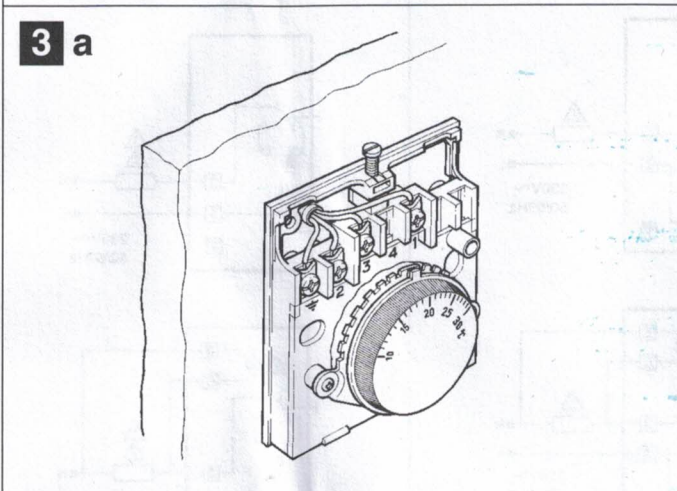
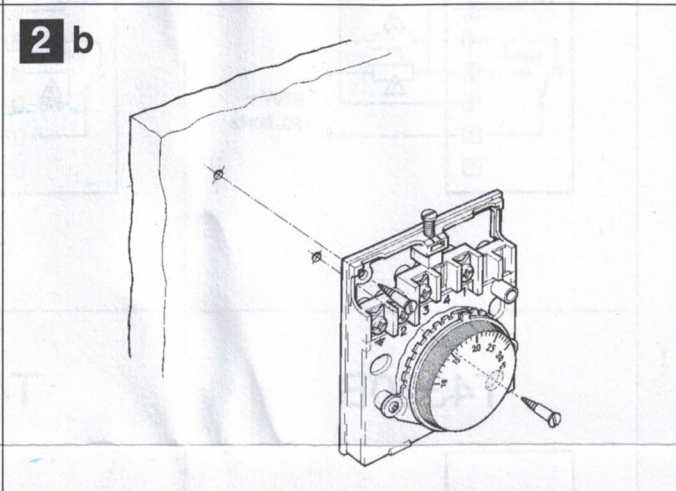
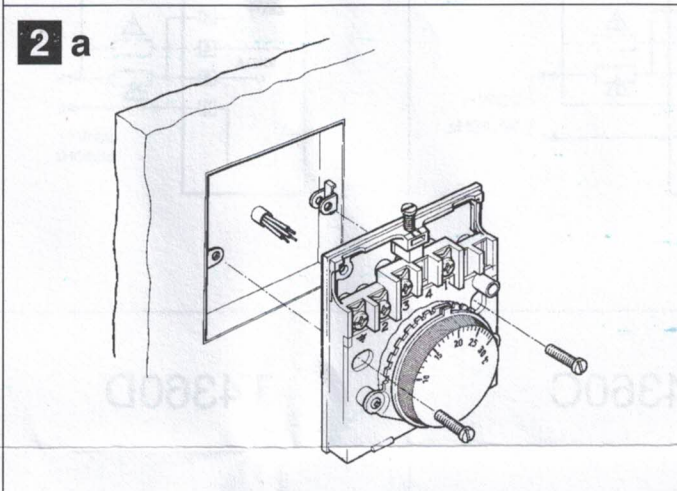
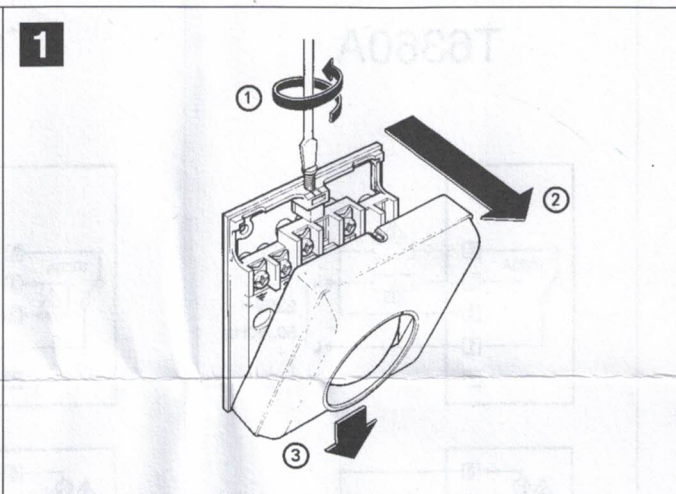
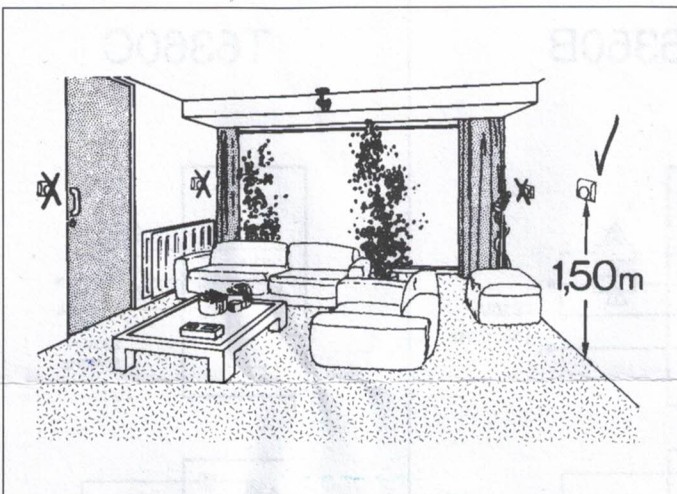
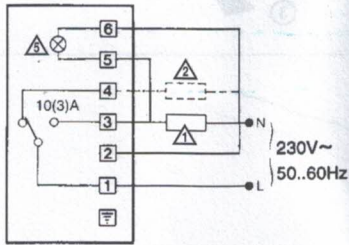
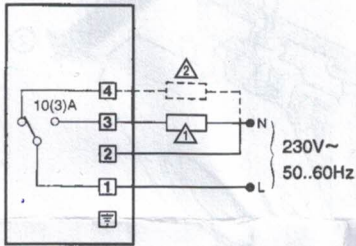


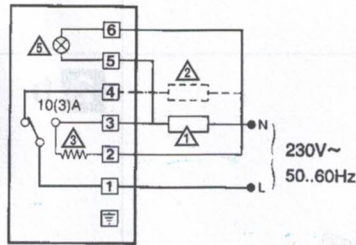
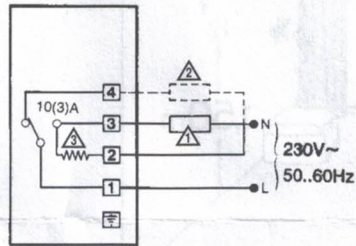
42010241-001 R2



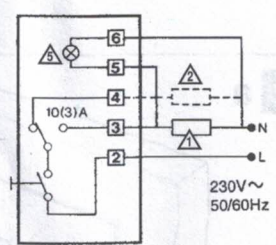
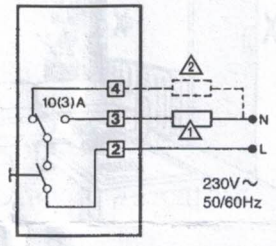
T6360A



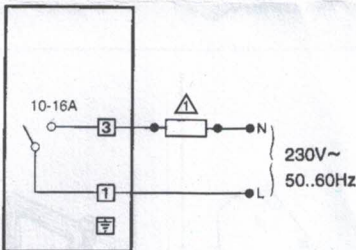
T6360B



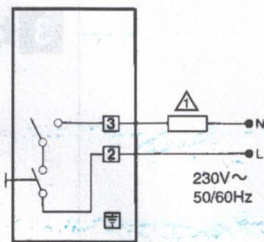
T6360C



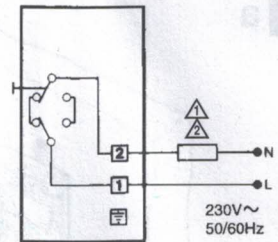
T4360B



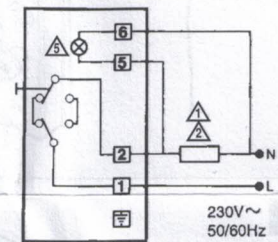
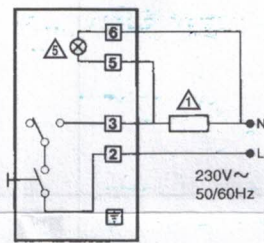
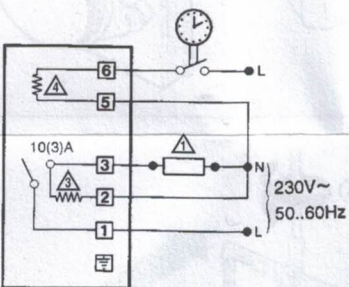
T4360C



T4360D



T4360E



GB	FR	D	IT	ESP	NL	FI	SW	DK	N
HEATING LOAD	CHARGE CHAUFFAGE	HEIZLAST	APPARECCHIATURE DI RISCALDAMENTO	CARGA CALEFACCION	VERWARMINGSKRING	LAMMITYSKUORMA	LAST-VARME	VARMEBELASTNING	LAST OPPVARMING
COOLING LOAD	CHARGE REFRIGERISSMENT	KUHLLAST	APPARECCHIATURE DI RAFFREDDAMENTO	CARGA REFRIGERACION	KOELINGSKRING	JAHDYTYSKUORMA	LAST-KYLA	KOLEBELASTNING	LAST KJØLING
HEAT ANTICIPATOR	ACCELERATION THERMIQUE	THERMISCHE RUCKFUHRUNG	ANTICIPATORE TERMICO	ANTICIPADOR TERMICO	WARMTEVERSNELLINGS ELEMENT	ENNAKOINTIVASTUS	ACCELERATIONS-ELEMENT	ACCELERATOR	AKSELRASJONS ELEMENT
NIGHT SETBACK HEATER	CHAUFFAGE DE RALENTI NOCTURNE	HEIZWIDERSTAND FÜR NACHTABSENKUNG	RISCALDATORE PER LA RIDUZIONE NOTTURNA	RESITENCIA PARA DESCENSO NOCTURNO DEL PUNTO DE CONTROL	VERLAAGDE NACHTTEMPERATUUR	LAMMITYSVASTUS YOLAMPOTILAN ALENTAMISEKSI	ELEMENT FOR NATTNEDSATNING	NAT SAENKNING HEATER	ELEMENT FOR NATTNEDSETTING
INDICATOR LAMP	LAMPE DE SIGNALISATION	MELDELAMPE	LAMPADA D'INDICAZIONE	LAMPARA SENALIZACION	SIGNAALLAMP	MERKKILAMPPU	INDIKERINGS-LAMPA	KONTROLLAMPE	INDIKERINGSLAMPE