
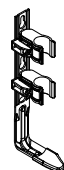
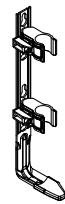

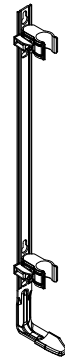
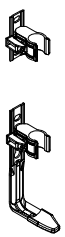

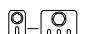
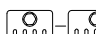
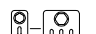

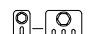
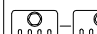

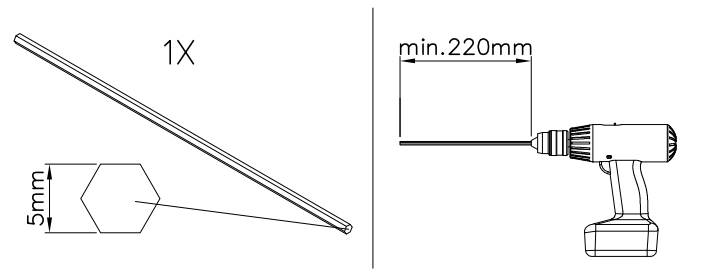
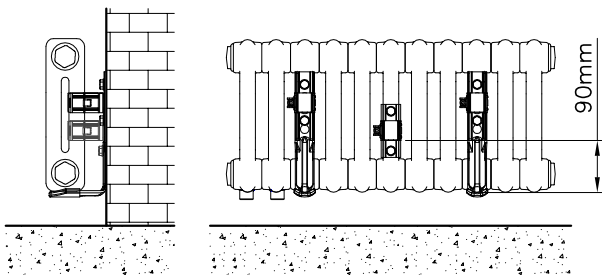
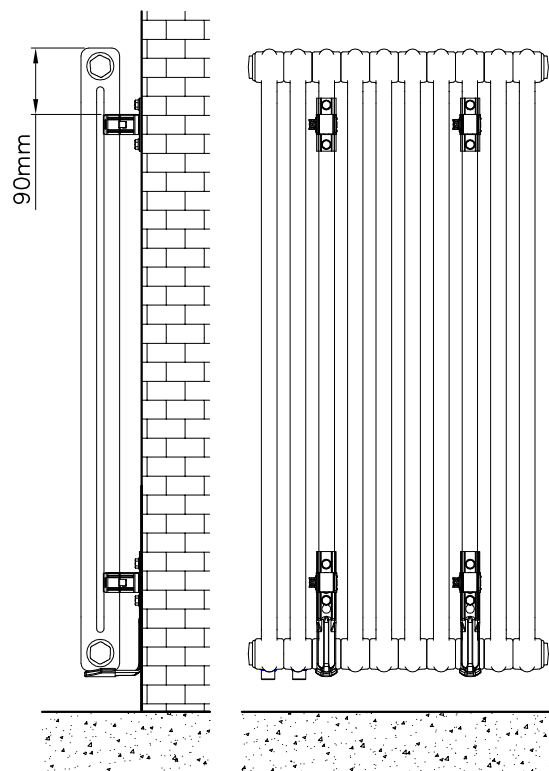


H mm	245-299	300-369	370-484	485-679	680-1000	1001-1500	1501-2200	
	SMB2T	SMB30	SMB40	SMB50	SMB75	SMB2T		
	max. 100kg	max. 100kg	max. 100kg	max. 100kg	max. 100kg	max. 100kg		
								
Model								
2xSMB	4-20 El.	4-20 El.	4-20 El.	4-20 El.	4-15 El.	4-15 El.	4-10 El.	4-12 El.
3xSMB	21-35 El.	21-35 El.	21-35 El.	21-35 El.	16-30 El.	16-30 El.	11-20 El.	13-22 El.
4xSMB	36-50 El.	36-50 El.	36-50 El.	36-45 El.	31-45 El.	31-45 El.	21-30 El.	23-32 El.
5xSMB	51-65 El.	51-65 El.	51-60 El.	46-60 El.	46-60 El.	46-60 El.	31-40 El.	33-42 El.

SMB2T H=245-299mm

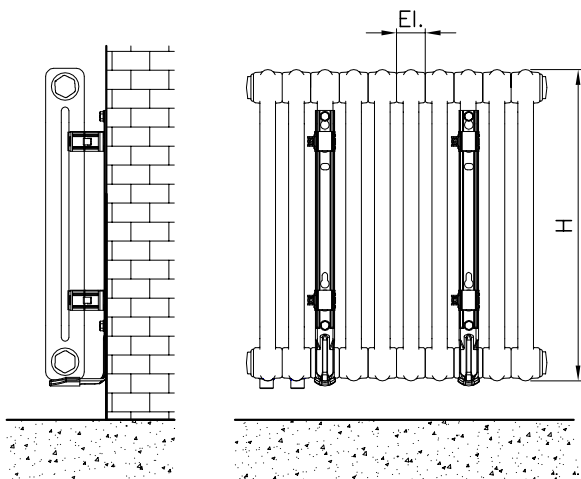


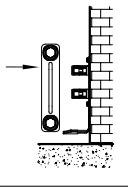
SMB2T H=1001-2200mm



 Boiler-Gas.ru
Перейти на сайт

SMB30/40/50/75

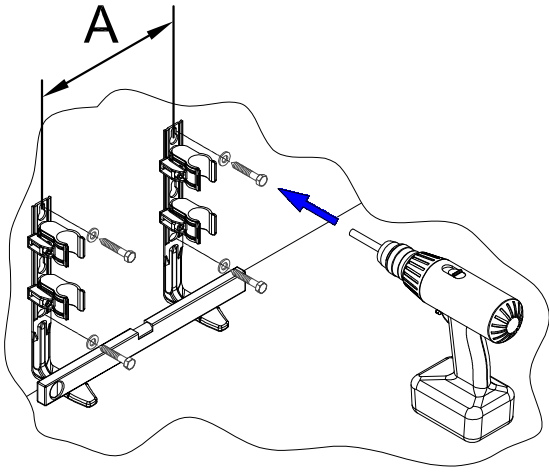
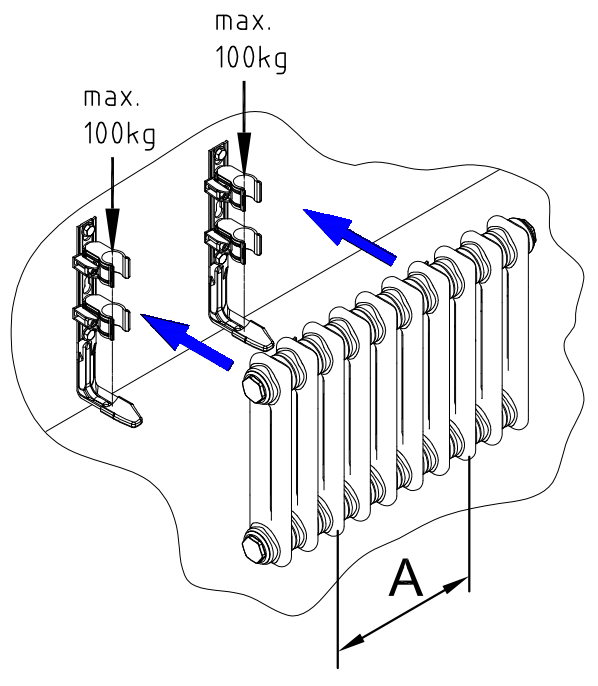
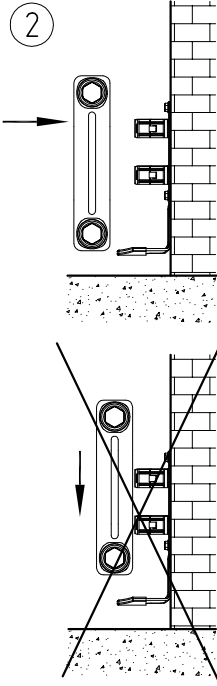




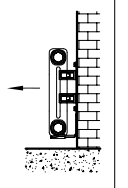
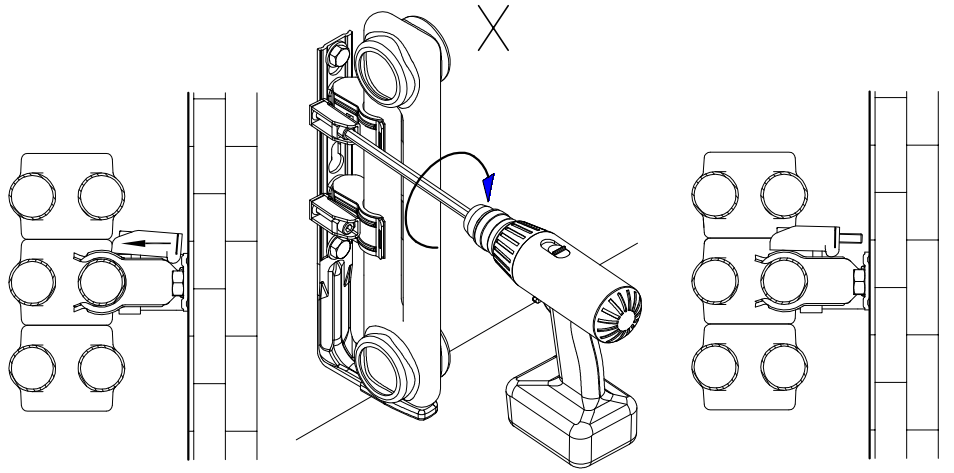
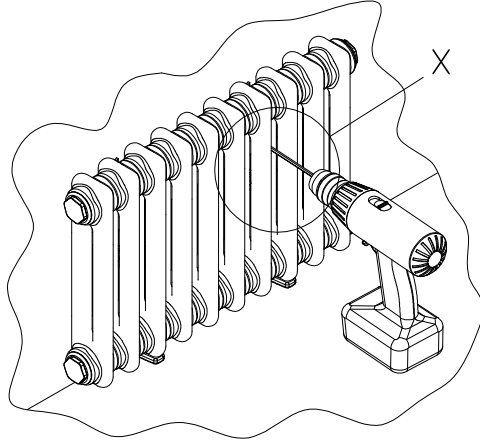
1

Boiler-Gas.ru
Перейти на сайт

2

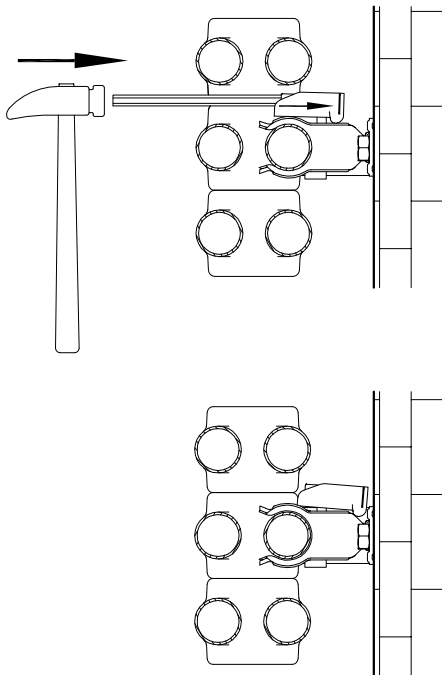


3



1

2



3

