


EMMETI

UK

Engineered Water Solutions

 Boiler-Gas.ru
Перейти на сайт



BUYERS GUIDE 2018
www.emmeti.co.uk

Company Overview

The Group

Emmeti S.p.A. was founded in 1976, initially marketing components for heating systems. A strategic shift to direct production was made in 1984 with the establishment of FIV S.r.l as CNC and assembly division, with Emmeti focussing on automated assembly and distribution. Since then Emmeti has expanded rapidly and now operates in more than 65 countries worldwide with sales and marketing offices in Spain, France, Brazil and North America as well as the UK. In 2009 Emmeti Group began production of MLCP (MultiLayer Composite Pipe), supplying worldwide.

Emmeti has a wide range of products targeted at the heating, plumbing, renewable and air conditioning markets and is committed to developing products which reduce and monitor energy consumption. In recent years they have developed significant renewable energy products, and continue to innovate in this emerging field. They also operate to the highest possible standards and satisfy the requirements of ISO 9001:2000 for its Quality Management System and ISO 14001:2004 for its Environmental Management System.

In 2015 the industrial Group RETTIG ICC acquired a controlling share in the Emmeti Group. RETTIG ICC - Indoor Climate Control is part of the Finnish group RETTIG Ltd, and is the European leader in the production and distribution of radiators in steel, with a growing presence in the markets of radiant systems, valves and controls for HVAC systems. The acquisition of Emmeti Group provides an excellent synergy between the two organisations and will support the strategic plans for growth and innovation of RETTIG ICC, allowing entry into new geographic markets and the transfer of new technologies.

Emmeti UK

We established Emmeti UK in Burford, Oxfordshire in 2004, to support Emmeti Group from a UK base. Distributing Emmeti and OEM products through wholesalers, merchants, system houses and renewable companies nationwide who serve the needs of the rapidly growing underfloor heating market as well as the heating and plumbing sector. We have achieved a reputation for excellence in fast order turnaround together with sales and technical support for our customers.

From our central warehouse located near Oxford we are able to offer ex-stock next day. This is supported by weekly shipments from our manufacturing base in Italy.

We are able to offer innovative new products to the UK market, with the substantial resources and back-up of the Emmeti Group as well as tailoring products to a customer's own specification. We have recently gained BBA approval for our manifold and pipe and many of our products are WRAS approved for use in potable water systems.

Products

We have developed a product portfolio specially designed to cater for the UK plumbing and heating markets, in particular the Underfloor Heating, Wall Hung Radiator heating and hot and cold water sectors. Core products for the markets we serve are:

- Manifolds and fittings for radiator and underfloor heating systems
- Manifolds and fittings for sanitary water distribution
- Multilayer pipe and press fitting systems from 16mm to 75mm
- Pipe, insulation and accessories for underfloor heating
- Zone controls for radiator and underfloor heating, including thermostats, actuators and wiring centres
- Expansion vessels for both heating and potable water applications
- Manual and thermostatic radiator valves
- Manual and motorised ball valves
- Pressure reducing valves
- Heat Interface Units (HIU)

Product Standards & Customer Support

All of our products are manufactured to comply with European standards wherever possible. Additionally, where appropriate, our products also satisfy the requirements of WRAS for use in potable water systems. More recently, we have gained BBA approval for our manifold systems as can be seen in our technical product guides available on-line. In addition, we have provided individual installation guides with each product and copies can be obtained by going on-line or by contacting our sales office.

To receive regular product updates, news and technical articles, please register via our website or, if you are viewing this page electronically, simply click on the link <http://www.emmeti.co.uk/news-update>

Our Emmeti UK website offers on-line access to literature, product data, technical information, articles, and the latest product launches: www.emmeti.co.uk



How to Order

We accept orders by email and fax only, we can take enquiries by telephone.

When ordering please provide the following details:

- Company name, contact name and telephone number
- Product code
- Product description
- Quantity required
- Delivery address with contact name, telephone number and email address
- Required delivery service (see below for options)
- Delivery date
- Type of Site: ie Domestic or Commercial
- Site Access Restrictions. If private/domestic address, please let us know if a dwelling is isolated or down a narrow lane
- Your purchase order number
- Invoice address

An order acknowledgement will be sent to confirm your requirements. Please check this carefully and notify the internal sales team if any changes are required as soon as possible, on (+44) 01993 824900 or via e-mail sales@emmeti.co.uk. If the order has been despatched, we will inform you of the options available.

By Email:

Please send to sales@emmeti.co.uk with the information above.

By Fax:

Please send to (+44) 01993 824990 with the same information as above.

By Telephone:

Please call (+44) 01993 824900 from 8.30am to 5pm, Monday to Friday except bank holidays.

Talk to our internal sales team who will discuss your requirements and advise on delivery and pricing. Written purchase orders can be accepted by email or fax only. Please refer to details above.

Carriage and Delivery

Premium Delivery Service

Our Premium service includes a variety of delivery options designed to suit business needs. You can choose to receive your goods from 10am, before midday or at a specific time to suit you. We can also deliver on Saturdays with our Premium service.

Irrespective of order value, delivery charges for Premium Service are as follows:

AM (BEFORE NOON, but NOT before 10.30AM)	£30.00
TIMED (10.30AM earliest)	£40.00
SATURDAY	£60.00

Next Day Delivery Service

Our Next Day delivery service is for deliveries needing to reach their destination within 24 hours. This service operates throughout most of the UK. Along with our Premium service, it is designed for those deliveries that need to get there as quickly as possible.

Delivery charges for Next Day Delivery:

FREE for order value £1000 and above
£15.00 for order value up to £1000

Economy Delivery Service

The 48 Hour service accommodates deliveries throughout all of the UK that are not quite as urgent but still need to get there within 48 hours. This provides a more cost-effective option but still offers the same security and customer service.

Delivery charges for Economy Delivery:

FREE for order value £1000 and above
£10.00 for order value up to £1000

With all delivery options, irrespective of order value, an additional surcharge of £39.50 is applicable for orders containing lengths of Gerpex 4M bars (P10 refers). Any deliveries for 4M bars beyond a 100 mile radius from our warehouse (OX29 5UX) would be subject to individual quote.

With all delivery service options, if we cannot deliver to the required postcode on the required date, we will inform you.

- Please note, orders must be received before 2.30pm in order to arrange next day delivery service.
- Please indicate which delivery service you require on your p/o, inclusive of the cost.
- Emmeti UK reserve the right to charge the purchaser for failed deliveries, which have occurred through no fault of Emmeti UK.
- Emmeti UK cannot be held responsible or accept claims for consequential loss as a result of a failed delivery where you have provided incorrect or insufficient delivery details or for reasons beyond our control, eg weather or vehicle breakdown.

Customer Collections

Our warehouse can accommodate customer collections based on the following terms.

Emmeti UK will provide the customer with an order confirmation, notifying the customer of

- date/time from when your order will be ready to collect from the address shown below
- the number of pallets (or parcels) that your order contains

The Customer shall

- Present a copy of the Emmeti UK order confirmation upon collection from the address shown below
- Accept responsibility to organise a suitable vehicle to collect the goods. Failure to do this, may result in the collection being aborted. Should this be the case, Emmeti UK can arrange delivery of the order; please request a quote from Emmeti UK.

Please note, same day collections may be declined subject to time constraints

Collection address: Oxford Carriers, Unit 25 Stanton Harcourt I.E, Stanton Harcourt, Witney, OX29 5UX.

Product Queries

Please call (+44) 01993 824900 from 8.30am to 5pm, Monday to Friday except bank holidays.

Our internal sales team will be pleased to answer your product queries and where applicable, our technical or external sales team are available to answer your technical queries.

If you wish to discuss your requirements with one of our sales team or arrange for them to call and see you, please contact us on the above number for details of the member of our team best able to help you.

For full terms and conditions see page 126.

Contents

	Page
Company Overview	2
How to Order	3
New Products for 2018	5
Introduction to Buyers Guide	6

Gerpex Pipe & Fittings

Gerpex System Overview	8
Gerpex MultiLayer Composite Pipe.....	10
Gerpex Fittings	11 - 16
Gerpex Tooling	16 - 18
Gerpex Accessories.....	18

Hot and Cold Plumbing Manifold Systems

Hot and Cold Manifold Overview	20
Manifolds.....	22 - 26
Pipe and Accessories	27 - 29
Manifold Accessories	29 - 33

Underfloor Heating Systems

Underfloor Heating Overview.....	35
Underfloor Heating Manifold	38
UFH Control Groups	39 - 40
Ball Valves	41
Pipe and Accessories	42 - 44
Underfloor Heating Fixings.....	44 - 48
Zone Controls	49 - 57
Manifold Accessories and Spares	58 - 64

Wall Hung Radiator Systems

Wall Hung Radiator Manifold Overview	66
Manifolds.....	69 - 75
Ball Valves	76
Pipe and Accessories	77 - 80
Radiator Valves	80 - 83
Zone Controls	84 - 92
Manifold Accessories and Spares	92 - 100

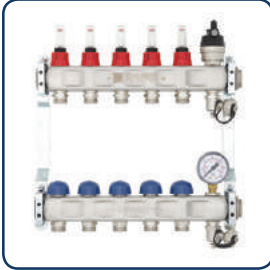
System Components

System Components Overview	102
Heat Interface Units	105
Smart System Components	106
Sealed System Components (Heating).....	107 - 108
Expansion Vessels.....	108 - 109
Pressure Reducers	110
Motorised Ball Valves.....	110 - 113
Ball Valves	113 - 119
Threaded Fittings.....	120 - 121
Low Loss Headers.....	121 - 122
System Accessories.....	122 - 125
Terms and Conditions	126



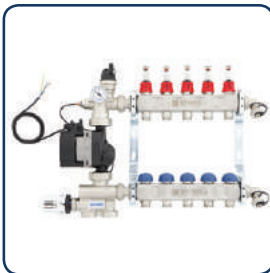
New Products for 2018

T2 Topway Plus FM Pre-Assembled Heating Manifold



Stainless-steel manifold for use with underfloor and wall hung radiator systems available with between 2 and 12 ways. Complete with flowmeters, a 6-bar pressure gauge and Tecno-Varia automatic air vent as standard. The 1" pre-assembled Topway manifold is suitable for use with a combined mixing valve and circulating pump set such as the TM3-R Mixing Unit.

FMU-3 Floor Mixing Unit



The FMU-3 Floor Mixing Unit is a pre-assembled regulation group control group and stainless-steel manifold assembly available with between 2 and 12 ways. It integrates both temperature and flow management, making the single piece unit very easy to install, saving time on site. Supplied with our TM3-R control group, it offers an integrated thermostatic mixing valve with remote actuation giving accurate mixed temperature. A Grundfos UPM3 Auto 7m pump included, this pump includes 3 control modes and double de-blocking system. ErP 2015 compliant.

TM3-R Control Group



The TM3-R is a control group for use with underfloor heating manifolds (T2 Topway). The mixing valve is adjustable between 20° - 65°C which complies with the requirement of BS 1264-4 2009 for initial warm up temperatures of between 20° - 25°C. The TM3-R has an additional probe pocket for an optional over temperature device, a throttle to increase the Kv of the mixing valve for larger systems, and a built in non-return valve above the circulation pump to prevent back filling during the system fill which also reduces water loss if the circulation pump needs to be removed for maintenance. A Grundfos UPM3 Auto 7m pump included, this pump includes 3 control modes and double de-blocking system. ErP 2015 compliant.

Ball Valves



A set of straight and angled progress ball valves for use with Topway Plus Stainless-Steel Manifolds FMU3 Mixing units and TM3-R control group. Available in 1" Female BSP x 1" Male BSP connections with O-ring seal and loose nut union, with or without thermometer pocket and 0° - 80° thermometer

CS-17 Touchscreen Programmable Thermostat



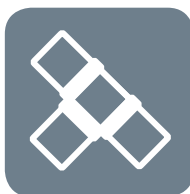
A touchscreen programmable thermostat for underfloor and wall hung radiator systems. Features include touchscreen operation, remote sensing for air and floor, temperature limiting function, frost protection and optimum start.

Introduction to Buyers Guide

Emmeti UK are passionate about our products and systems, be it for underfloor heating, wall hung radiator systems or hot and cold plumbing. Throughout this Buyers Guide each of our products has been identified in system specific colour coded sections to ease selection of each item, with technical information and product overviews for each section. The coloured icons below have been created as a selection aide to identify each system section and in turn the product pages you require.

For further information or technical details on our range of products and systems, please visit www.emmeti.co.uk or see the relevant technical guide to each system.

Gerpex Pipe & Fittings



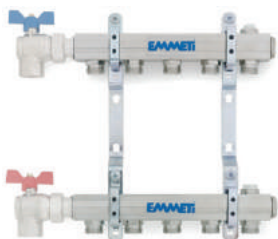
The fitting symbol denotes Emmeti's Gerpex press fit plumbing system. This system is designed for use with hot and cold water, heating, chilled water and compressed air. Consisting of Multi-Layer Composite Pipe, brass bodied press fittings and associated tooling for branch plumbing applications, the system is also fully compatible with our comprehensive range of hot and cold water and heating manifolds for use in point-to-point installations. The wide range of pipe sizes, fittings, accessories and various fastening options make the Gerpex System a complete and highly reliable solution for any project.

Hot and Cold Plumbing Manifolds



The tap symbol denotes WRAS approved plumbing manifolds for use in hot and cold water distribution systems. These brass manifolds are designed to facilitate central and/or local distribution with individual outlet isolation in some cases. The use of manifolds in plumbing systems allows for smaller outlet distribution pipework to be installed in a point to point system, which reduces the number of joints as well as providing easy access to system isolation in the event of a fault.

Wall Hung Radiator Manifolds



The radiator symbol denotes manifolds suitable for use with point to point radiator systems. The centrally located heating manifold can be a simple Type 1 (no electrical control) or Type 2 (full electrical control). Both types allow for central distribution with point to point pipework (P2P) which reduces the number of joints in the system. Type 1 can also include individual radiator isolation whereas Type 2 combines P2P, individual isolation and full electrical time/temperature zone control.

Underfloor Heating Manifolds

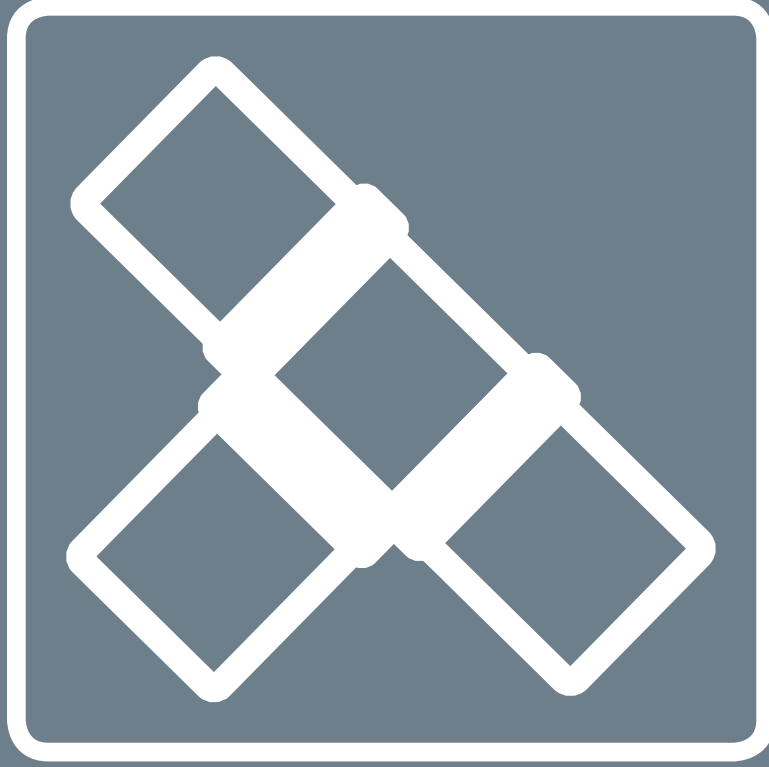


The underfloor symbol denotes manifolds for use with Underfloor Heating systems. Most commonly FMU3 manifolds which incorporate flow temperature management and circulation pump. Type 2 manifolds can be used where there is no requirement for flow temperature control or additional circulation, generally with low temperature heat sources such as Heat Pumps.

System Components



The spanner symbol denotes Emmeti's offering of plumbing and heating system components. A range of products for use across plumbing and heating systems including Heat Interface Unit's (HIU's) and supporting accessories, expansion vessels, sealed system components and a wide range of ball valves, fittings and accessories.



Gerpex Pipe & Fittings



Buyers Guide 2018

Gerpex System Overview

The Gerpex system has been designed for use with hot and cold water, heating, chilled water and compressed air systems. Gerpex Multi-Layer Composite Pipe can be used in both traditional branch plumbing and point-to-point plumbing in conjunction with our manifold systems. It is suitable for use in both the domestic and commercial projects and is fully WRAS approved for use in hot and cold water supplies.

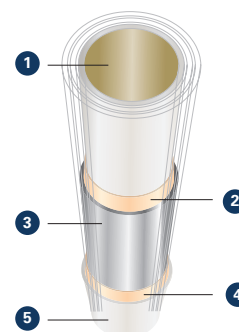
For branch plumbing applications, the system includes high quality metal press and compression fittings, together with tooling and a full range of accessories. Gerpex MLCP is also fully compatible with our comprehensive range of hot and cold water and heating manifolds for use in point-to-point installations using our patented Monoblocco fittings.

The wide range of pipe sizes, fittings, accessories and various fixing options make the Gerpex System a complete and highly reliable solution for any project.

Gerpex MultiLayer Composite Pipe

Gerpex Multi-Layer Composite Pipe is the optimum solution for modern building projects, offering all of the advantages of both plastic and metal pipes combined with excellent value for money and peace of mind. Gerpex can be used in a wide range of applications including hot and cold water systems, heating (wall hung radiator and underfloor heating), chilled water and compressed air. The pipe is available in a range of sizes from 16-75mm making it ideal for both domestic and commercial applications.

- 1 Cross linked polyethylene inner pipe (PE-Xb)
- 2 Adhesive layer which bonds the inner pipe to the aluminium core
- 3 Butt welded aluminium core which ensures a consistent pipe diameter, thickness min 0.2mm
- 4 Adhesive layer which bonds the outer pipe to the aluminium core
- 5 Cross linked polyethylene outer pipe (PE-Xb) size 14-32mm
High density polyethylene outer pipe (PE-HD) size 40-75mm

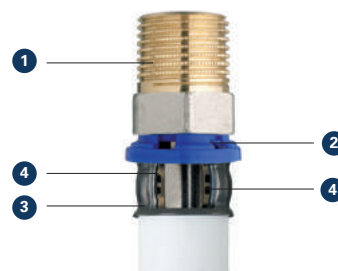


Gerpex Press Fittings

Gerpex Press Fittings have been developed to be used with Multi-Layer Composite Pipe as a clean, simple and more efficient alternative to traditional jointing methods such as soldered copper and threaded steel fittings. The positive sealing action of the press system will also give greater confidence to the installer, developer and end user than push fittings.

The brass bodied fittings with double o-ring technology, combined sight hole, dielectric ring and jaw alignment collar help to ensure that the pipe is fully inserted and pressed correctly, every time.

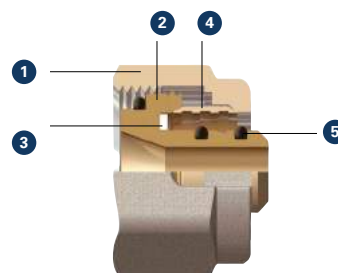
- 1 The Gerpex range of fittings are constructed with a brass nickel plated body (nickel plating is only on surfaces not in contact with the carried fluid)
- 2 The blue plastic collar has sight holes which allow the installer to be sure that the pipe has been inserted fully into the fitting and also acts as a jaw alignment collar to ensure a correct fit.
- 3 The stainless steel collar is marked with the fitting size and Emmeti branding and when crimped onto the pipe and fitting gives clear visual indication of crimping.
- 4 The two O-ring system gives greater confidence when fitting, these are made from EPDM peroxide 70SH.



Compression Fittings

Emmeti have developed a range of MLCP to copper compression fittings to allow Gerpex to be connection to copper via a compression fitting. The single piece fitting allows for total elimination of hot works and will connect onto any 15, 22 or 28mm compression thread such as our WRAS approved range of compression lever valves.

- 1 Nut in CW617N (UNI EN 12165)
- 2 Adapter in CW614N (UNI EN 12164)
- 3 Washer in PTFE
- 4 Split Olive to CW614N (UNIEN12164)
- 5 Sealing O-Ring in EPDM



Gerpex Tooling

A range of pressing tools, including battery operated REMS Mini and Akku-Press hand held tooling and compatible jaws to suit 16mm up to 75mm. Also included are pipe preparation, cutting and bending tools.

Gerpex PE-X - AL - PE-X MultiLayer Composite Pipe



Five layer composite pipe ranging from 16mm up to 75mm. Inner layer of cross linked PE-Xb with outer layer of PE-Xb upto 32mm and PE-HD from 40 up to 75mm. Internal aluminium layer which provides a solid oxygen barrier, rigidity and form retention. Fully WRAS approved for use with plumbing systems as well as heating, cooling and compressed air. Includes coils up to 500m, 4m straight bars and insulated coils. Suitable for use up to 10 bar at 95°C.



Certificate No.
1404093

Gerpex Fittings



A range of WRAS approved, brass bodied, press fittings for use with Emmeti Gerpex MLCP. Profiles are TH for all sizes, B up to 32mm, U, H and F up to 20mm.

A selection of Monoblocco fittings developed to allow MLCP to be connected to standard copper sizes. The 16, 20 and 26mm Monoblocco will allow connection onto 15, 22 and 28mm compression connections respectively.



Certificate No.
1404093

Gerpex Tooling & Accessories



A range of pressing tools and jaws to suit 10mm up to 110mm with multi-profile compatible tooling. Also included are pipe cutting, preparation tools and bending equipment. Includes battery operated, Mini and Akku-Press, as well as replacement jaws.

A range of plastic flexi hinged clips to suit between 16 and 32mm pipe as well as metal rubber lined clips between 16 and 75 mm.



Buyers Guide 2018

Gerplex MultiLayer Composite Pipe

Gerplex MultiLayer pipe (PE-X/AL/PE-X) for Plumbing systems, Wall Hung Radiator and Underfloor Heating

Certificate No.
1404093

Description	Coils	Code	Unit Price £/m
16 x 2	100m	28106000	1.51
16 x 2	200m	28106010	1.51
16 x 2	500m	28106050	1.51
20 x 2	100m	28106004	1.99
20 x 2	200m	28106002	1.99
26 x 3	50m	28106006	3.49
32 x 3	50m	28106008	4.71
Description	4m Bar	Code	Unit Price £/m
16 x 2	96m*	28108010	1.99
20 x 2	96m*	28108014	2.55
26 x 3	40m*	28108016	4.63
32 x 3	28m*	28108018	6.41
40 x 3.5	20m*	28100090	17.03
50 x 4	20m*	28100092	22.88
63 x 4.5	12m*	28100094	33.51
75 x 5	12m*	28100070	58.15

WRAS approved, 5 layer pipe constructed using PE-Xb-AL-PE-Xb up to 32mm with PE-Xb-AL-PE-HD from 40mm to 75mm. Available in coils up to 32mm and in 4 metre bars throughout the range. Maximum operating pressure 10 bar, maximum operating temperature 95°C.

* Packs of 4m bar lengths, subject to transport surcharge, see carriage and delivery terms on page 4.

Gerplex Insulated MultiLayer pipe (PE-Xb-AL-PE-Xb) for Plumbing systems and Wall Hung Radiators

Certificate No.
1404093

Description	Insul. Thick	Coil	Code	Unit Price £/m
16 x 2	6mm	50m	28106108	2.36
16 x 2	6mm	100m	28106100	2.32
20 x 2	6mm	50m	28106104	2.88
20 x 2	9mm	50m	28106106	3.16
26 x 3	9mm	50m	28102880	4.81
32 x 3	9mm	25m	28102872	6.74

WRAS approved, 5 layer pipe constructed using PE-Xb-AL-PE-Xb. Available in coils up to 32mm. Insulation thickness 6mm up to 20mm pipe and 9mm insulation thickness for sizes 20, 26 and 32mm pipe. Maximum operating pressure 10 bar, maximum operating temperature 95°C.

Gerplex MultiLayer Composite Pipe (Insulated and Colour Coded)

Certificate No.
1404093

Description	Colour/Insul. Thick	Coil	Code	Unit Price £/m
16 x 2	Red / 6mm	100m	28106140	2.32
16 x 2	Blue / 6mm	100m	28106142	2.32
20 x 2	Red / 6mm	50m	28106144	2.92
20 x 2	Blue / 6mm	50m	28106146	2.88
16 x 2	Blue / 10mm	50m	28102540	2.36
20 x 2	Blue / 13mm	50m	28102542	3.45
26 x 3	Blue / 13mm	25m	28102870	5.56
32 x 3	Blue / 13mm	25m	28102874	7.63

WRAS approved, 5 layer pipe constructed using PE-Xb-AL-PE-Xb. Available in coils up to 32mm. 16mm and 20mm available in both red and blue. 26 and 32mm available only in blue. Maximum operating pressure 10 bar, maximum operating temperature 95°C.

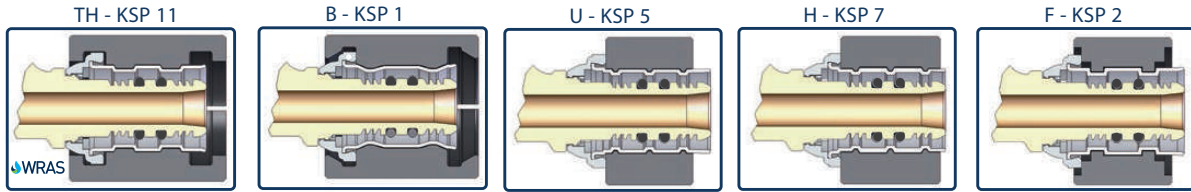
Gerplex Multilayer Composite Pipe in Corrugated Conduit

Certificate No.
1404093

Description	Colour	Coil	Code	Unit Price £/m
16 x 2	Red	50m	28102350	2.60
16 x 2	Blue	50m	28102360	2.60

Description: 16 x 2 Gerplex MLCP encased within flexible conduit.

Pressing Profile Options



Profile and dimensions of the jaws that can be used with Multi-Jaw Gerpex Fittings

	16	20	26	32	40	50	63	75
TH	OK	OK	OK	OK	OK	OK	OK	OK
B	OK	OK	OK	OK	-	-	-	-
U	OK	OK	-	-	-	-	-	-
H	OK	OK	-	-	-	-	-	-
F	OK	OK	-	-	-	-	-	-

Gerpex Fittings

Equal Elbow 16-75mm



Description	Profile	Pcs/Pack	Code	Unit Price £
16mm x 16mm	TH	10	28101352	5.05
20mm x 20mm	TH	10	28101356	6.78
26mm x 26mm	TH	5	28101358	10.54
32mm x 32mm	TH	5	28101480	15.91
40mm x 40mm	TH	1	28115200	27.59
50mm x 50mm	TH	1	28115210	42.87
63mm x 63mm	TH	1	28115220	59.28
75mm x 75mm	TH	1	28115540	124.10

WRAS approved TH profile press fitting, for all other profiles please refer to compatibility chart above.

Equal Tee 16 - 75mm



Description	Profile	Pcs/Pack	Code	Unit Price £
16mm x 16mm x 16mm	TH	5	28101362	7.01
20mm x 20mm x 20mm	TH	5	28101366	9.39
26mm x 26mm x 26mm	TH	5	28101368	14.76
32mm x 32mm x 32mm	TH	5	28101490	22.34
40mm x 40mm x 40mm	TH	1	28115250	40.89
50mm x 50mm x 50mm	TH	1	28115260	62.82
63mm x 63mm x 63mm	TH	1	28115270	89.00
75mm x 75mm x 75mm	TH	1	28115544	184.50

WRAS approved TH profile press fitting, for all other profiles please refer to compatibility chart above.

Straight Coupler 16mm-75mm



Description	Profile	Pcs/Pack	Code	Unit Price £
16mm x 16mm	TH	10	28101422	5.05
20mm x 20mm	TH	10	28101426	6.66
26mm x 26mm	TH	5	28101428	9.32
32mm x 32mm	TH	5	28101510	12.97
40mm x 40mm	TH	1	28115050	25.68
50mm x 50mm	TH	1	28115060	38.87
63mm x 63mm	TH	1	28115070	53.15
75mm x 75mm	TH	1	28115554	113.80

WRAS approved TH profile press fitting, for all other profiles please refer to compatibility chart above.



Gerpex Fittings (continued)

Reducing Tee 16mm-75mm



Certificate No.
1404093



Please note branch description
and size when ordering.

Description (1 x 2 x 3)	Profile	Pcs/Pack	Code	Unit Price £
16mm x 16mm x 20mm	TH	5	28101396	8.99
20mm x 16mm x 16mm	TH	5	28101382	8.91
20mm x 20mm x 16mm	TH	5	28101372	9.21
20mm x 16mm x 20mm	TH	5	28101385	9.16
20mm x 20mm x 26mm	TH	5	28101398	13.73
20mm x 20mm x 32mm	TH	5	28101503	21.06
26mm x 20mm x 16mm	TH	5	28101386	13.37
26mm x 26mm x 16mm	TH	5	28101376	13.89
26mm x 16mm x 20mm	TH	5	28101388	13.44
26mm x 20mm x 20mm	TH	5	28101390	13.55
26mm x 26mm x 20mm	TH	5	28101379	14.06
26mm x 16mm x 26mm	TH	5	28101391	13.89
26mm x 20mm x 26mm	TH	5	28101392	13.95
26mm x 26mm x 32mm	TH	5	28101499	21.76
32mm x 32mm x 16mm	TH	5	28101497	21.47
32mm x 20mm x 20mm	TH	5	28101501	20.61
32mm x 26mm x 20mm	TH	5	28101508	21.11
32mm x 32mm x 20mm	TH	5	28101502	21.64
32mm x 20mm x 26mm	TH	5	28101495	21.01
32mm x 26mm x 26mm	TH	5	28101509	21.53
32mm x 32mm x 26mm	TH	5	28101506	22.04
32mm x 16mm x 32mm	TH	5	28101493	21.01
32mm x 20mm x 32mm	TH	5	28101504	21.23
32mm x 26mm x 32mm	TH	5	28101507	21.76
40mm x 32mm x 26mm	TH	1	28115518	37.55
40mm x 40mm x 26mm	TH	1	28115514	39.85
40mm x 32mm x 32mm	TH	1	28115516	37.66
40mm x 40mm x 32mm	TH	1	28115300	39.05
40mm x 32mm x 40mm	TH	1	28115520	38.87
50mm x 50mm x 26mm	TH	1	28115522	65.12
50mm x 50mm x 32mm	TH	1	28115320	59.23
50mm x 40mm x 40mm	TH	1	28115524	65.70
50mm x 50mm x 40mm	TH	1	28115310	61.36
50mm x 32mm x 50mm	TH	1	28115526	64.88
50mm x 40mm x 50mm	TH	1	28115528	67.49
63mm x 63mm x 50mm	TH	1	28115330	88.94
75mm x 75mm x 40mm	TH	1	28115546	181.80
75mm x 75mm x 50mm	TH	1	28115548	183.80

WRAS approved TH profile press fitting, for all other profiles please refer to compatibility chart on page 11.

Reducing Coupler 20mm-75mm



Certificate No.
1404093



Description	Profile	Pcs/Pack	Code	Unit Price £
20mm x 16mm	TH	10	28101430	6.43
26mm x 16mm	TH	5	28101434	8.41
26mm x 20mm	TH	5	28101436	8.57
32mm x 16mm	TH	5	28101512	11.65
32mm x 20mm	TH	5	28101514	11.82
32mm x 26mm	TH	5	28101516	12.39
40mm x 26mm	TH	1	28115500	22.69
40mm x 32mm	TH	1	28115100	22.97
50mm x 32mm	TH	1	28115502	33.55
50mm x 40mm	TH	1	28115110	35.82
63mm x 40mm	TH	1	28115120	47.83
63mm x 50mm	TH	1	28115130	50.55
75mm x 40mm	TH	1	28115556	104.00
75mm x 50mm	TH	1	28115558	105.20
75mm x 63mm	TH	1	28115560	107.00

WRAS approved TH profile press fitting, for all other profiles please refer to compatibility chart on page 11.

Equal Elbow 40-75mm 45°



Certificate No.
1404093



Description	Profile	Pcs/Pack	Code	Unit Price £
40mm x 40mm	TH	10	28101720	29.44
50mm x 50mm	TH	6	28101722	41.64
63mm x 63mm	TH	4	28101724	57.72
75mm x 75mm	TH	1	28115542	116.60

WRAS approved TH profile press fitting, for all other profiles please refer to compatibility chart on page 11.



Gerpex Fittings (continued)

Female Elbow 16 - 32mm



Certificate No.
1404093



Description	Profile	Pcs/Pack	Code	Unit Price £
16mm x 1/2"	TH	10	28101330	4.59
20mm x 1/2"	TH	10	28101334	5.40
20mm x 3/4"	TH	10	28101335	7.82
26mm x 3/4"	TH	5	28101336	8.23
32mm x 1"	TH	5	28101484	14.53

WRAS approved TH profile press fitting, for all other profiles please refer to compatibility chart on page 11.

Male Elbow 16-63mm



Certificate No.
1404093



Description	Profile	Pcs/Pack	Code	Unit Price £
16mm x 1/2"	TH	10	28101342	4.46
20mm x 1/2"	TH	10	28101346	5.27
20mm x 3/4"	TH	10	28101347	7.65
26mm x 3/4"	TH	5	28101348	8.11
32mm x 1"	TH	5	28101482	14.06
40mm x 1 1/4"	TH	1	28115150	25.06
50mm x 1 1/2"	TH	1	28115160	35.06
63mm x 2"	TH	1	28115170	57.66

WRAS approved TH profile press fitting, for all other profiles please refer to compatibility chart on page 11.

Male BSP Branch Tee 16mm - 26mm



Certificate No.
1404093



Description (1 x 2 x 3)	Profile	Pcs/Pack	Code	Unit Price £
16mm x 16mm x 1/2"	TH	5	28101410	6.50
20mm x 20mm x 1/2"	TH	5	28101414	8.06
20mm x 20mm x 3/4"	TH	5	28101415	11.57
26mm x 26mm x 3/4"	TH	5	28101418	12.44

WRAS approved TH profile press fitting, for all other profiles please refer to compatibility chart on page 11.

Female BSP Branch Tee 16mm - 75mm



Certificate No.
1404093



Please note branch description and size when ordering.

Description (1 x 2 x 3)	Profile	Pcs/Pack	Code	Unit Price £
16mm x 16mm x 1/2"	TH	5	28101400	6.43
16mm x 16mm x 3/4"	TH	5	28101401	11.35
20mm x 20mm x 1/2"	TH	5	28101404	8.06
20mm x 20mm x 3/4"	TH	5	28101405	11.76
26mm x 26mm x 1/2"	TH	5	28101702	13.59
26mm x 26mm x 3/4"	TH	5	28101408	12.63
32mm x 32mm x 3/4"	TH	5	28101494	22.34
32mm x 32mm x 1"	TH	5	28101496	21.11
40mm x 40mm x 3/4"	TH	1	28115350	45.12
40mm x 40mm x 1"	TH	1	28115360	44.66
40mm x 40mm x 1 1/4"	TH	1	28115530	75.07
50mm x 50mm x 3/4"	TH	1	28115370	49.79
50mm x 50mm x 1"	TH	1	28115380	48.76
50mm x 50mm x 1 1/4"	TH	1	28115532	78.66
63mm x 63mm x 1"	TH	1	28115390	69.51
63mm x 63mm x 1 1/4"	TH	1	28115400	67.78
75mm x 75mm x 1"	TH	1	28115550	174.00

WRAS approved TH profile press fitting, for all other profiles please refer to compatibility chart on page 11.



Buyers Guide 2018

Gerpex Fittings (continued)

Straight Male - BSP 16mm - 75mm



Certificate No.
1404093



Description	Profile	Pcs/Pack	Code	Unit Price £
16mm x 1/2"	TH	10	28101440	3.77
20mm x 1/2"	TH	10	28101445	4.41
20mm x 3/4"	TH	10	28101446	5.22
26mm x 3/4"	TH	5	28101448	6.38
26mm x 1"	TH	5	28101450	9.49
32mm x 1"	TH	5	28101520	10.31
32mm x 1 1/4"	TH	5	28115510	18.12
40mm x 1"	TH	1	28115512	21.29
40mm x 1 1/4"	TH	1	28115000	19.96
50mm x 1 1/2"	TH	1	28115010	25.45
63mm x 2"	TH	1	28115020	36.68
75mm x 2 1/2"	TH	1	28115552	99.69

WRAS approved TH profile press fitting, for all other profiles please refer to compatibility chart on page 11.

Straight Female - BSP 16mm- 32mm



Certificate No.
1404093



Description	Profile	Pcs/Pack	Code	Unit Price £
16mm x 1/2"	TH	10	28101454	4.07
20mm x 1/2"	TH	10	28101459	4.70
20mm x 3/4"	TH	10	28101460	6.26
26mm x 3/4"	TH	5	28101462	6.83
26mm x 1"	TH	5	28101464	10.14
32mm x 1"	TH	5	28101522	11.00

WRAS approved TH profile press fitting, for all other profiles please refer to compatibility chart on page 11.

Monoblocco 16-20mm (for all Emmeti manifold connections)



Certificate No.
1404093



Description	Profile	Pcs/Pack	Code	Unit Price £
16mm - 24 x 19	TH	10	28101650	4.99
20mm - 24 x 19	TH	10	28101654	6.14

WRAS approved TH profile press fitting, for all other profiles please refer to compatibility chart on page 11.

Female Union Adaptors 16-63mm



Certificate No.
1404093



Description	Profile	Pcs/Pack	Code	Unit Price £
16mm x 1/2"	TH	10	28102600	5.10
16mm x 3/4"	TH	10	28102598	5.80
20mm x 1/2"	TH	10	28102608	5.40
20mm x 3/4"	TH	10	28102606	6.08
26mm x 3/4"	TH	5	28102612	6.38
26mm x 1"	TH	5	28102610	8.46
32mm x 1"	TH	5	28102614	9.49
32mm x 1 1/4"	TH	1	28102620	14.99
40mm x 1 1/2"	TH	1	28102622	27.77
50mm x 2"	TH	1	28102624	47.13
63mm x 2 1/2"	TH	1	28102626	71.43

WRAS approved TH profile press fitting, for all other profiles please refer to compatibility chart on page 11.

Female Union Adaptor Elbow - BSP 16mm -20mm



Certificate No.
Pending



Description	Profile	Pcs/Pack	Code	Unit Price £
16mm x 1/2"	TH	1	28102630	5.51
20mm x 3/4"	TH	1	28102632	7.01

TH profile press fitting, for all other profiles please refer to compatibility chart on page 11.



Gerpex Fittings (continued)

Wall Mounted Female Elbow 16 - 26mm



Certificate No.
1404093



Description	Height	Profile	Pcs/Pack	Code	Unit Price £
16mm x 1/2"	48mm	TH	10	28101300	6.43
16mm x 1/2"	68mm	TH	10	28116202	7.99
20mm x 1/2"	48mm	TH	10	28101304	7.07
20mm x 1/2"	68mm	TH	10	28116206	8.17
20mm x 3/4"	56mm	TH	10	28101696	10.95
26mm x 3/4"	56mm	TH	10	28101698	11.40

WRAS approved TH profile press fitting, for all other profiles please refer to compatibility chart on page 11.

Tee with Chromed Copper Pipe Branch



Certificate No.
1404093



Description	Profile	Pcs/Pack	Code	Unit Price £
20mm x 15mm x 20mm	TH	5	28101694	15.24

WRAS approved TH profile press fitting, for all other profiles please refer to compatibility chart on page 11. Branch length 290mm. Obsolete product, available while stocks last.

Chrome Copper Pipe 15mm x 1/2" Male, Length 175mm



Certificate No.
1404093



Description	Profile	Pcs/Pack	Code	Unit Price £
15mm x 1/2" Male L175mm	TH	5	28101686	6.51

Length 175mm. WRAS approved TH profile press fitting, for all other profiles please refer to compatibility chart on page 11.

Chromed Elbow 16mm x 15mm Press Fitting, Length 165.5mm



Certificate No.
1404093



Description	Profile	Pcs/Pack	Code	Unit Price £
16mm x 15mm, L165.5mm	TH	10	28101708	12.68

Length 165.5mm. WRAS approved TH profile press fitting, for all other profiles please refer to compatibility chart on page 11.

Right Hand Terminal Elbow with Backplate 16mm-20mm



Certificate No.
1404093



Description	Profile	Pcs/Pack	Code	Unit Price £
16mm x 1/2"	TH	5	28101632	12.27
20mm x 1/2"	TH	5	28101640	12.33

WRAS approved TH profile press fitting, for all other profiles please refer to compatibility chart on page 11.

Left Hand Terminal Elbow with Backplate 16mm-20mm



Certificate No.
1404093



Description	Profile	Pcs/Pack	Code	Unit Price £
16mm x 1/2"	TH	5	28101630	12.33
20mm x 1/2"	TH	5	28101638	12.33

WRAS approved TH profile press fitting, for all other profiles please refer to compatibility chart on page 11.

Buyers Guide 2018

Gerpex Fittings (continued)

Backplate Through Piece



Certificate No.
1404093



Description	Profile	Pcs/Pack	Code	Unit Price £
16mm x 1/2"	TH	5	28101688	21.92
20mm x 1/2"	TH	5	28101690	22.72

WRAS approved TH profile press fitting, for all other profiles please refer to compatibility chart on page 11.

Red & Blue Testing plugs



Certificate No.
1404093



Description	Profile	Pcs/Pack	Code	Unit Price £
1/2" Blue	TH	50	28090003	0.54
1/2" Red	TH	50	28090004	0.54
3/4" Blue	TH	50	28090006	0.89
3/4" Red	TH	50	28090008	0.89

For use with female fittings when pressure testing. Can be removed following testing and reused.

Push Fit Stop End



Description	Pcs/Pack	Code	Unit Price £
16mm	1	U9250091	7.58
20mm	1	U9250092	9.21

A reusable push-fit stop end provides a leak-proof seal for use when pressure testing a system. It can be removed at any stage in order to allow work to restart or allow an extension to the system.

MLCP to Copper Connectors



Certificate No.
1507073



Description	Pcs/Pack	Code	Unit Price £
16x2 - 15mm	2	28110230	4.55
20x2 - 22mm	2	28110232	5.98
26x3 - 28mm	2	6109R026	9.34

A Monoblocco fitting developed to allow MLCP to be connected to standard copper compression fittings. For example, 16mm MLCP can be connected to a 15mm lever valve by using code 28110230.

Gerpex Tooling

REMS Mini-Press in line 22V Press Tool (supplied with 2 batteries)



Description	Pcs/Pack	Code	Unit Price £
10 - 40mm	1	U9141001	4,230.00

Ultra light and compact, one handed, battery operated press tool capable of pressing up to 40mm. Supplied with 2 x 21.6v 1.5Ah batteries and L-Boxx system case with inserts. Compatible with all REMS jaw profiles up to 40mm. Includes a battery charge status indicator and integrated LED work light. 360° rotatable head with Automatic Circuit Control.

Mini-Press TH Jaws



Description	Pcs/Pack	Code	Unit Price £
16mm	1	U9140002	375.90
20mm	1	U9140003	375.90
26mm	1	U9140004	375.90
32mm	1	U9140005	375.90
40mm	1	U9140006	633.10

TH profile pressing jaws for use with REMS Mini-press tool.



Gerpex Tooling (continued)

REMS Akku-Press ACC 14.4V Press Tool (supplied with two batteries)



Description	Pcs/Pack	Code	Unit Price £
10 - 110mm (2 batteries)	1	U9150001	3,943.00

Compact battery operated press tool capable of pressing up to 110mm. Supplied with 2 x 14.4v 3.2Ah batteries and sturdy steel case with slots for press jaws. Compatible with all REMS jaw profiles up to 110mm. Includes a battery charge status indicator and integrated LED work light. 360° rotatable head with Automatic Circuit Control.

Akku-Press TH Jaws



Description	Pcs/Pack	Code	Unit Price £
16mm	1	U9150002	375.90
20mm	1	U9150003	375.90
26mm	1	U9150004	375.90
32mm	1	U9150005	375.90
40mm	1	U9150006	667.70
50mm	1	U9150007	1,782.00
63mm	1	U9150008	1,782.00
75mm	1	28100540	2,304.00

TH profile pressing jaws for use with REMS Akku-press tool.

Pipe Calibration Tool



Description	Pcs/Pack	Code	Unit Price £
16	1	U9280001	47.46
20	1	U9280002	48.81
26	1	U9280003	51.15
32	1	U9280004	56.17
40	1	U9280005	58.93
50	1	U9280006	89.57
63	1	U9280007	107.70
75	1	28100885	193.40
16-20-26	1	U9280008	88.92
Case for Calibrators*	1	U9250095	44.80
Case for Jaws**	1	U9210100	88.92

Used to prepare MultiLayer Composite Pipe prior to insertion into a fitting. Ensures that the pipe is round, free from burrs and will not damage the press fitting O-rings.

* Calibrators not included **Jaws not included

Pipe cutting tools



Description	Pcs/Pack	Code	Unit Price £
14 - 32mm shears	1	28100942	65.12
14 - 32mm rotary slice	1	28100944	50.65
16 - 75mm rotary slice	1	28024081	179.50

A selection of pipe cutting tools for cutting Gerpex MultiLayer Composite Pipe.

Internal ending tool



Description	Pcs/Pack	Code	Unit Price £
16 - 500mm	1	28100616	13.82
20 - 500mm	1	28100620	15.89
26 - 1000mm	1	28100626	32.31

Used to form bends in MultiLayer Composite Pipe without kinking.

Buyers Guide 2018

Gerpex Tooling (continued)

External Bending Tool



Description	Pcs/Pack	Code	Unit Price £
16 - 500mm	1	28100716	20.17
20 - 500mm	1	28100720	26.75

Used to form bends in MultiLayer Composite Pipe without kinking.

Hydraulic Bending Machine



Description	Pcs/Pack	Code	Unit Price £
26 - 32mm	1	28100920	995.60

Used to hydraulically form bends in 26 and 32mm MultiLayer Composite Pipe.

Gerpex Accessories

Plastic Flexi-hinged clip



Description	Pcs/Pack	Code	Unit Price £
15 - 16mm	100	U9290000	0.24
19 - 21mm	100	U9290001	0.30
25 - 27.4mm	50	U9290002	0.44
31.8 - 35mm	50	U9290003	0.80

Plastic flexi-hinged clip to support Gerpex pipe up to 32mm.

Plastic clip spacer



Description	Pcs/Pack	Code	Unit Price £
Universal Clip Spacer	100	U9290004	0.19

Plastic clip spacer to allow additional 13mm clearance of pipe from mounting surface. For use with insulated pipe.

Plastic link spacer



Description	Pcs/Pack	Code	Unit Price £
Link Spacer	100	U9290005	0.12

Plastic link spacer to give greater spacing between clips.

Rubber Lined Metal Clips



Description	Pcs/Pack	Code	Unit Price £
15-19mm	10	U9290006	1.84
20-25mm	10	U9290007	1.98
26-30mm	10	U9290008	2.09
32-36mm	5	U9290009	2.39
38-43mm	5	U9290010	2.61
47-51mm	5	U9290011	2.95
60-64mm	5	U9290012	3.57
75-80mm	5	U9290013	4.55

Steel rubber lined clips to suit full Gerpex pipe range. Clip only, supplied to suit 8mm and 10mm threaded bar.



Hot and Cold Plumbing Manifold Systems



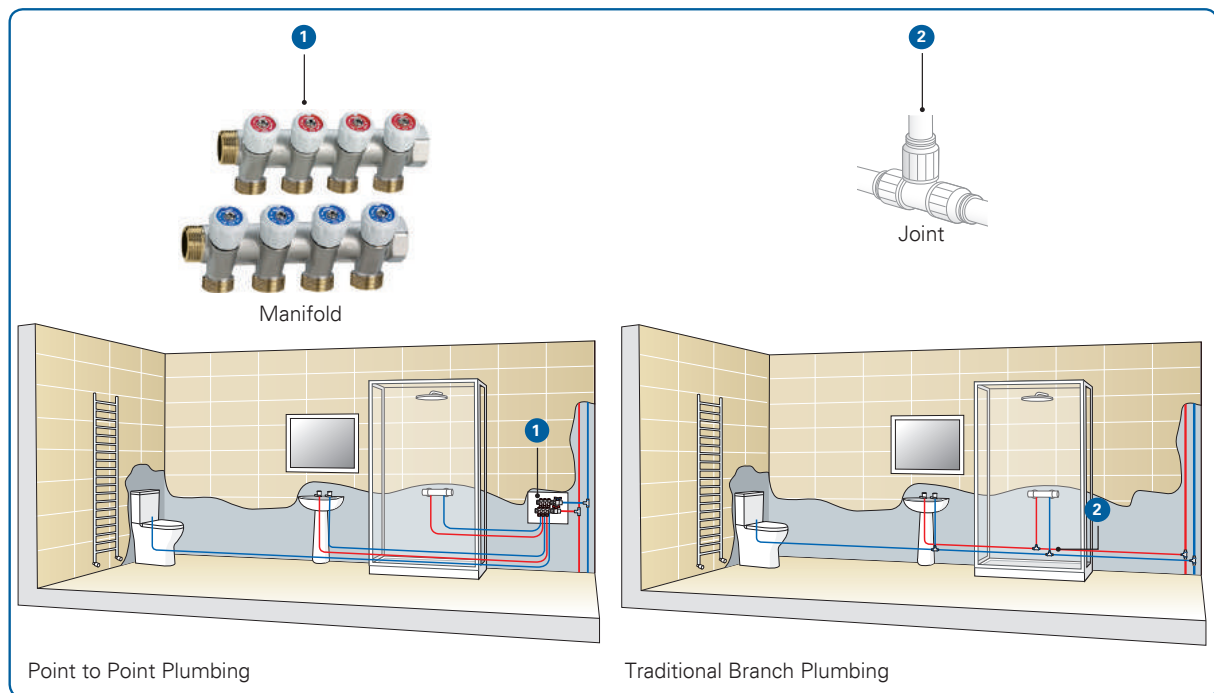
Hot and Cold Manifold Overview

By using an Emmeti manifold system in a point to point plumbing configuration you can greatly reduce the number of joints in your system, speeding up installation time and vastly reducing the chances of a leak. A manifold system also allows you to reduce certain pipe sizes per outlet, which will save on material and installation cost (e.g. WC feed with 10mm and shower feed with 16mm).

Point to Point Manifold Plumbing

Point to point plumbing is a method of installation using a manifold to distribute hot and cold water to items of sanitaryware and appliances around the property (such as washing machines, sinks, baths, dishwashers, and so on). Each individual outlet is supplied using a continuous length of pipe from the manifold, with joints at the outlet and at the manifold only. This reduction of joints in the system reduces installation time and vastly decreases the potential for leaks, which can lead to costly repair claims and damage to reputation.

The examples below show how the use of a manifold eliminates all concealed intermediate joints (that could potentially leak) against the conventional method of installation. The pipe distributed to each outlet can be tailored to suit individual requirements i.e. 16mm to shower and 10mm to basin and WC. The manifold shown also allows for isolation at each outlet in the event of any repair work or maintenance.

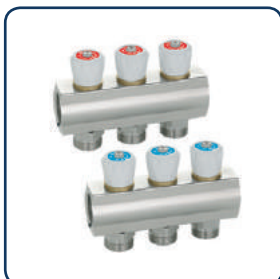


A joint in a water system is the most likely place for a leak to occur. We offer the ability to greatly reduce this potential risk by reducing the number of joints in the system.

The table here shows the principles of point to point plumbing. There is a huge difference in the number of joints between traditional branch and point to point systems (up to 70%), saving installation time and vastly reducing the potential for a leak. The reduction in fittings along with the speed of installation can offset any additional costs incurred when purchasing the manifold and additional pipe.

	Number of fittings (Tees & Elbows)	Number of joints
Point to point example	0	14
Branch example	7	25

Manifolds



A range of WRAS approved brass manifolds for use with hot and cold point to point plumbing systems.

Available with individual outlet isolation in ¾", 1" and 1¼" sizes between 2 and 12 ways.

Pipe and Accessories



Gerpex WRAS approved Multi-layer Composite Pipe for use in point to point systems. Available in rolls with diameters of 16, 20, 26, 32mm and in bars 16, 20, 26, 32, 40, 50, 63, 75mm. The pipe on rolls is also available pre-insulated with closed cell expanded polyethylene sheath, cross-link coating to protect against heat loss and freezing.

Emmeti Monoblocco connectors are patented, WRAS and BBA approved single piece adaptors available to suit pipe sizes 10 - 20mm and pipe types (PB, PE-Xa, PE-RT, MLCP, & copper).

Pipe preparation and cutting tools available for all sizes.

Manifolds Accessories



A wide range of accessories are available to suit Emmeti hot and cold plumbing manifolds such as on and in wall metal cabinets, mounting brackets, and blanking plugs.



Manifolds

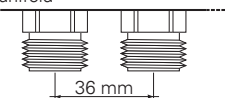
TopSan manifold with isolating taps



Certificate No.
1507073

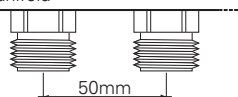


¾" Manifold



Distance between takeoffs : 36mm

1" Manifold



Distance between takeoffs : 50mm

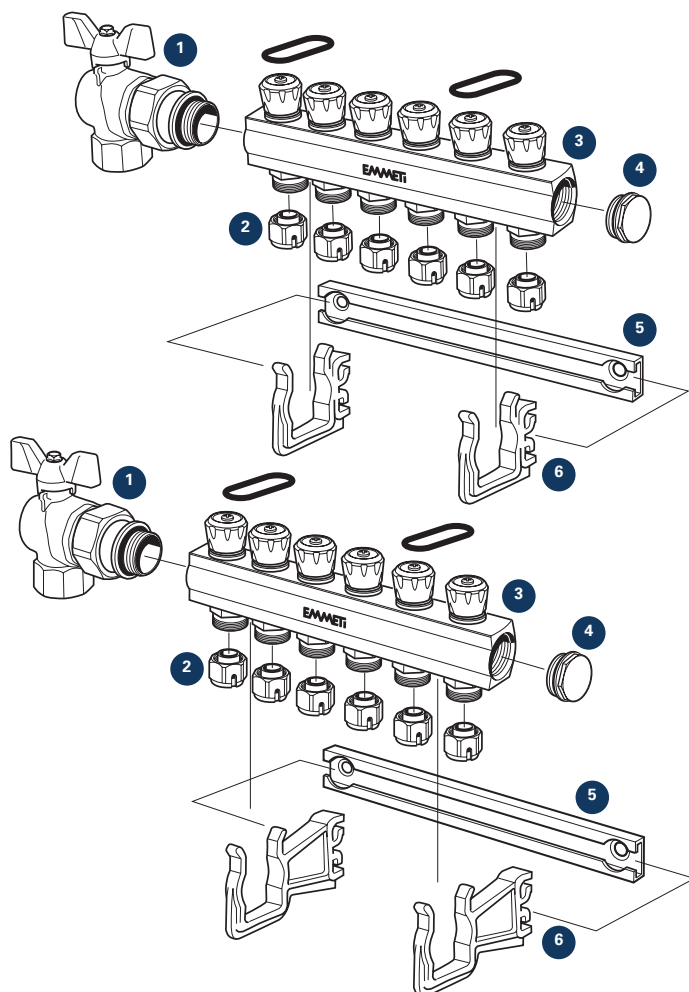
Description	Ways	Pcs/Pack	Code	Unit Price £
¾"	2	1	01282050	31.03
¾"	3	1	01282052	38.40
¾"	4	1	01282054	46.22
¾"	5	1	01282056	53.60
¾"	6	1	01282058	60.94
¾"	7	1	01282060	69.93
¾"	8	1	01282062	80.98
¾"	9	1	01282064	88.22
¾"	10	1	01282066	100.50
¾"	11	1	01282068	107.70
¾"	12	1	01282070	114.90
1"	4	1	01282084	54.17
1"	5	1	01282086	63.74
1"	6	1	01282088	73.70

For Copper, MultiLayer, PEX, PP, PB pipe.

Please order two rails, one rail for hot and one for cold supply. Separate blue and red outlet identification labels are shipped with each order. These labels are applied by the installer on site. For 36mm interaxial spacing a 27mm spanner is required, code: 01306058 or 01306054.

For WRAS approved MLCP (MultiLayer Composite Pipe), Emmeti Monoblocco connectors, plastic or metal mounting brackets, blanking plugs and ball valves please refer to the relevant pages within this section.

TopSan manifold assembly



1 Ball Valves

A range of ¾" and 1" Ball Valves are available. For the complete range please refer to system components or visit our website www.emmeti.co.uk

2 Monoblocco Connectors

A range of Monoblocco connectors are available to suit pipe sizes 10mm - 20mm, and different pipe types PB, PE-X, PE-RT, MLCP and Copper. For the complete range, please refer to the relevant pages within this section or visit our website www.emmeti.co.uk

3 Manifold

Code 01282050 (2way) to 01282070 (12 way) ¾"
Code 01282084 (4 way) to 01282088 (6 way) 1"

4 Blanking Plug

Code 90004820 ¾" M with O-ring seal
Code 90004830 1" M with O-ring seal

5 Aluminum Slider Rail

Order two per manifold or one 400mm slider rail as this can be snapped into two 200mm lengths by hand.
Code 01306400 400mm or
Code 01306398 200mm.

6 Brackets

Code 01302120 ¾" Plastic Bracket Supports
Code 01302130 1" Plastic Bracket Supports
Sold in boxes of 10 pairs.

Additional Bracket Options

Single Metal Brackets

(Sold in pairs)
Code 90011500 - ¾"
Code 90011510 - 1"

Double Metal Brackets

(Sold in pairs)
Code 90011530 - ¾" 200mm centres
Code 90011540 1" 200mm centres

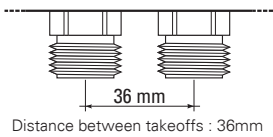


Manifolds (continued)

Multiplex sanitary manifold with isolating taps



Certificate No.
1507073



Description	Ways	Pcs/Pack	Code	Unit Price £
3/4"	2	1	01307260	18.93
3/4"	3	1	01307265	26.79
3/4"	4	1	01307270	35.45
1"	2	1	01307280	19.62
1"	3	1	01307285	27.82
1"	4	1	01307290	36.97

For copper, MultiLayer, PEX, PP, PB pipe.

Please order two rails, one rail for hot and one for cold supply. Separate blue and red outlet identification labels are shipped with each order. These labels are applied by the installer on site. For 36mm interaxial spacing a 27mm spanner is required, code: 01306058 or 01306054.

For WRAS approved MLCP (MultiLayer Composite Pipe), Emmeti Monoblocco connectors, plastic or metal mounting brackets, blanking plugs and ball valves please refer to the relevant pages within this section.

Bridging piece for Multiplex manifold

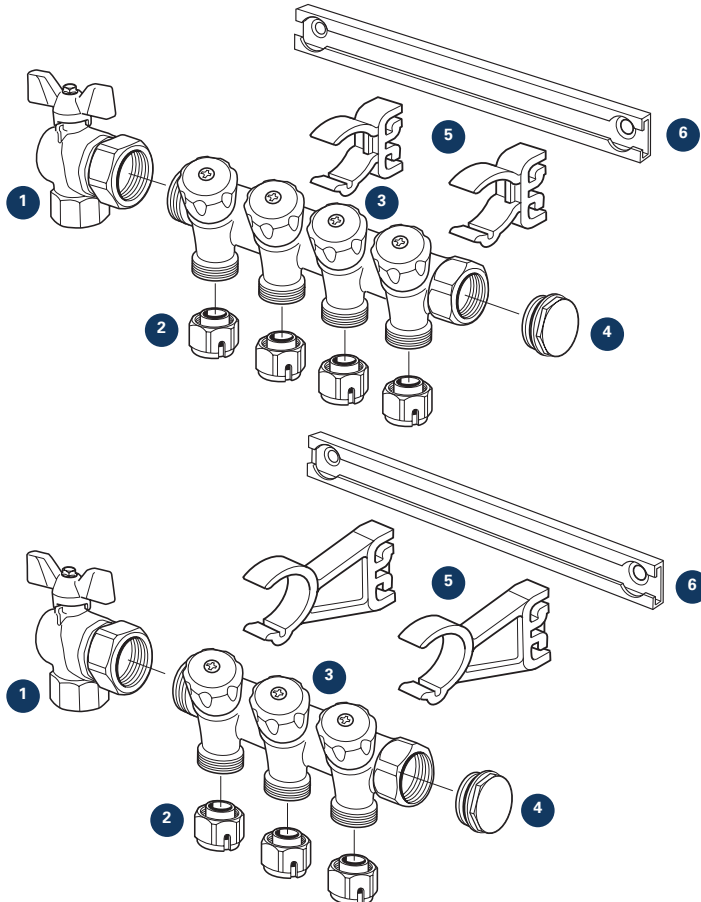


Description	Pcs/Pack	Code	Unit Price £
3/4"	1	01307200	5.03
1"	1	01307210	4.50

A bridging piece to allow extension of Multiplex manifolds.

Note: Not suitable for Modular manifolds. Alternative is to use TopSan series.

Multiplex manifold assembly



- 1 Ball Valves**
A range of 3/4" and 1" Ball Valves are available. For the complete range please refer to section system components or visit our website www.emmeti.co.uk
- 2 Monoblocco Connectors**
A range of Monoblocco connectors are available to suit pipe sizes 10mm - 20mm, and different pipe types PB, PE-X, PE-RT, MLCP and Copper. For the complete range, please refer to the relevant pages within this section or visit our website www.emmeti.co.uk
- 3 Manifold**
Code 01307260 (2 way) to 01307270 (4 way) 3/4"
Code 01307280 (2way) to 01307290 (4 way) 1"
- 4 Blanking Plug**
Code 90004820
3/4" M with O-ring seal
Code 90004830
1" M with O-ring seal
- 5 Plastic Brackets**
Code 01302140 3/4" or 01302150 1". Sold in boxes of 10 pairs.
- 6 Aluminum Slider Rail**
Order two per manifold or one 400mm slider rail as this can be snapped into two 200mm lengths by hand.
Code 01306400 400mm or Code 01306398 200mm.

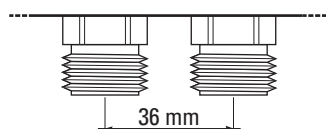


Manifolds (continued)

Topway SN 3/4" distribution manifold



Certificate No.
1507073



Distance between takeoffs : 36mm

Description	Ways	Pcs/Pack	Code	Unit Price £
3/4"	2	1	01293260	17.87
3/4"	3	1	01293262	23.89
3/4"	4	1	01293264	29.86
3/4"	5	1	01293266	36.18
3/4"	6	1	01293268	42.10
3/4"	7	1	01293270	48.07
3/4"	8	1	01293272	54.44
3/4"	9	1	01293274	60.25
3/4"	10	1	01293276	70.88
3/4"	11	1	01293278	77.04
3/4"	12	1	01293280	82.83

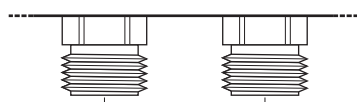
A distribution only manifold in nickel plated brass. 3/4" F connection at each end with 24x19 outlet connection. 1/2" F port for connection of a manual or automatic air vent if required.

For WRAS approved MLCP (MultiLayer Composite Pipe), Emmeti Monoblocco connectors, plastic or metal mounting brackets, blanking plugs and ball valves please refer to the relevant pages within this section.

Topway SN distribution manifold



Certificate No.
1507073



Distance between takeoffs : 50mm

Description	Ways	Pcs/Pack	Code	Unit Price £
3/4"	2	1	01293290	20.11
3/4"	3	1	01293292	27.39
3/4"	4	1	01293294	35.20
3/4"	5	1	01293296	43.27
3/4"	6	1	01293298	50.65
3/4"	7	1	01293300	58.16
3/4"	8	1	01293302	66.13
3/4"	9	1	01293304	73.61
3/4"	10	1	01293306	85.21
3/4"	11	1	01293308	93.51
3/4"	12	1	01293310	101.00
1"	2	1	01293830	22.34
1"	3	1	01293832	31.13
1"	4	1	01293834	39.19
1"	5	1	01293836	47.99
1"	6	1	01293838	56.03
1"	7	1	01293840	64.24
1"	8	1	01293842	73.17
1"	9	1	01293844	81.28
1"	10	1	01293846	93.40
1"	11	1	01293848	102.40
1"	12	1	01293850	111.00
1 1/4"	4	1	01294634	45.94
1 1/4"	5	1	01294636	56.42
1 1/4"	6	1	01294638	65.69
1 1/4"	7	1	01294640	74.87
1 1/4"	8	1	01294642	85.40
1 1/4"	9	1	01294644	94.72
1 1/4"	10	1	01294646	107.30
1 1/4"	11	1	01294648	119.20
1 1/4"	12	1	01294650	128.30

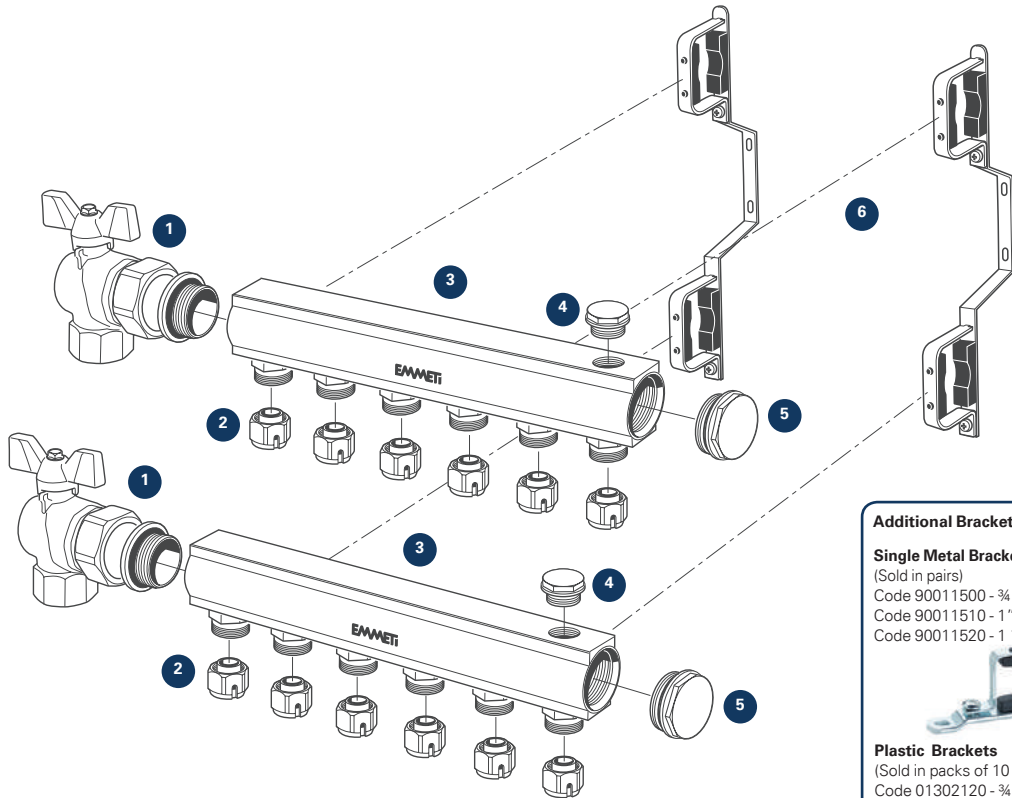
A distribution only manifold in nickel plated brass. 3/4" or 1" F connection at each end with 24x19 outlet connection. 1/2" F port for connection of a manual or automatic air vent if required.

For WRAS approved MLCP (MultiLayer Composite Pipe), Emmeti Monoblocco connectors, plastic or metal mounting brackets, blanking plugs and ball valves please refer to the relevant pages within this section.



Manifolds (continued)

Topway SN manifold assembly



1 Ball Valves

A range of 3/4", 1" and 1 1/4" Ball Valves are available. For the complete range please refer to section system components or visit our website www.emmeti.co.uk

2 Monoblocco Connectors

A range of Monoblocco connectors are available to suit pipe sizes 10mm - 20mm, and different pipe types PB, PE-Xa, PE-RT, MLCP and Copper. For the complete range please refer to the relevant pages within this section or visit our website www.emmeti.co.uk

3 Manifold

Code 01293260 2-way to 01293280 12-way 3/4" 36mm ctrs.
Code 01293290 2-way to 01293310 12-way 3/4" 50mm ctrs.
Code 01293830 2-way to 01293850 12-way 1" 50mm ctrs.
Code 01294634 4-way to 01294650 12-way 1 1/4" 50mm ctrs.
Order 2 per set

4 Blanking Plug

Code 90004930
1/2" M with O-ring seal

5 Blanking Plug

Code 90004820
3/4" M with O-ring seal
Code 90004830
1" M with O-ring seal
Code 90005070
1 1/4" M with O-ring seal

6 Double Metal Brackets 210mm centres

Code 90011560 3/4"
Code 90011570 1"
Code 90011580 1 1/4"
supplied in pairs

Additional Bracket Options

Single Metal Brackets

(Sold in pairs)
Code 90011500 - 3/4"
Code 90011510 - 1"
Code 90011520 - 1 1/4"



Plastic Brackets

(Sold in packs of 10 pairs)
Code 01302120 - 3/4"
Code 01302130 - 1"



Aluminum Slider Rail

Order two per manifold or one 400mm slider rail as this can be snapped into two 200mm lengths by hand.
Code 01306400 400mm or
Code 01306398 200mm.



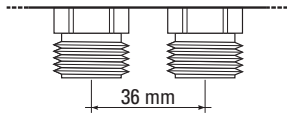
Buyers Guide 2018

Manifolds (continued)

Modular simple manifold



Certificate No.
1507073



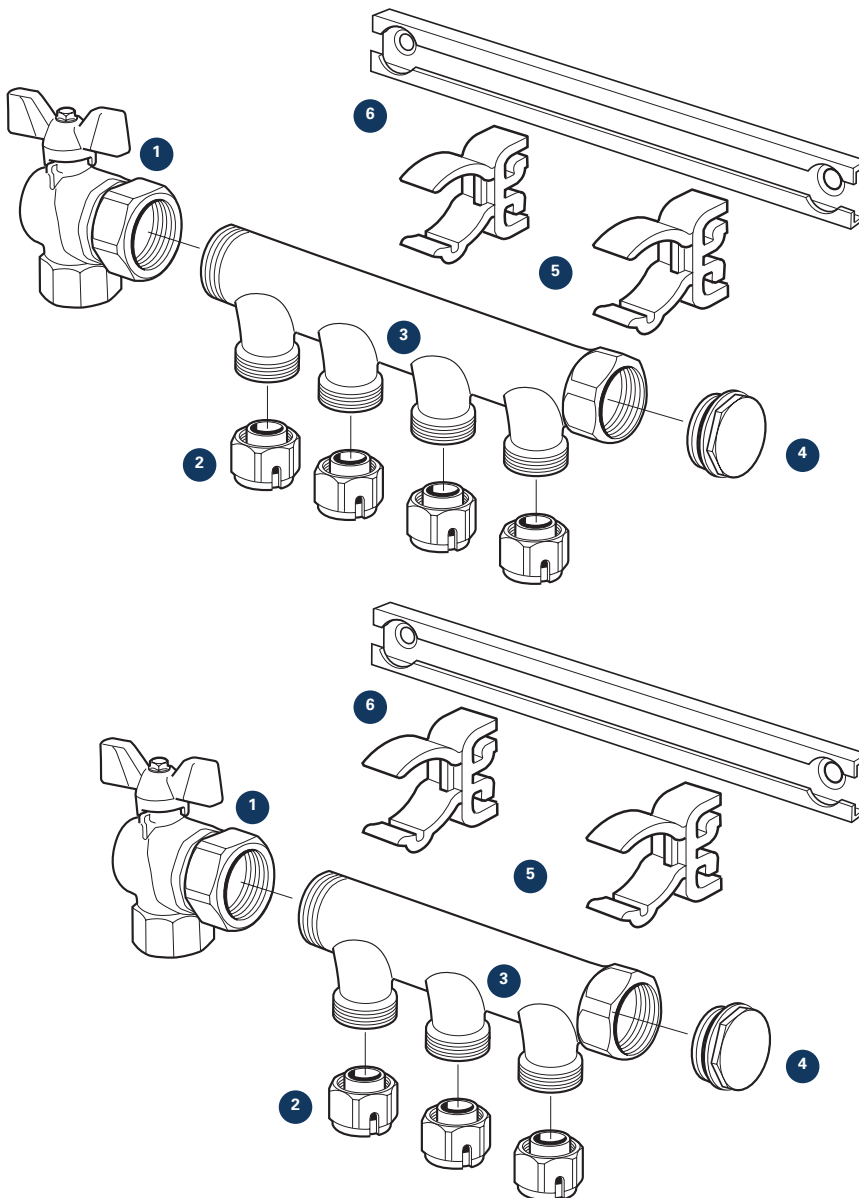
Distance between takeoffs : 36mm

Description	Ways	Pcs/Pack	Code	Unit Price £
3/4"	2	1	01303050	7.47
3/4"	3	1	01303052	10.58
3/4"	4	1	01303054	13.05
1"	2	1	01303060	9.73
1"	3	1	01303062	13.50
1"	4	1	01303064	16.22

For copper, MultiLayer, PEX, PP, PB pipe. For use with plastic brackets.
For 36mm interaxial spacing a 27mm spanner is required, code: 01306058 or 01306054.

For WRAS approved MLCP (MultiLayer Composite Pipe), Emmeti Monoblocco connectors, plastic or metal mounting brackets, blanking plugs and ball valves please refer to the relevant pages within this section.

Modular manifold assembly



- 1 Ball Valves**
A range of 3/4" and 1" Ball Valves are available. For the complete range please refer to section system components or visit our website www.emmeti.co.uk
- 2 Monoblocco Connectors**
A range of Monoblocco connectors are available to suit pipe sizes 10mm - 20mm, and different pipe types PB, PE-X, PE-RT, MLCP and Copper. For the complete range please refer to the relevant pages within this section or visit our website www.emmeti.co.uk
- 3 Manifold**
Code 01303050 (2 way) to 01303054 (4 way) 3/4"
Code 01303060 (2way) to 01303064 (4 way) 1"
- 4 Blanking Plug**
Code 90004820
3/4" M with O-ring seal
Code 90004830
1" M with O-ring seal
- 5 Plastic Brackets**
Code 01302140 3/4" or 01302150 1"
Sold in boxes of 10 pairs.
- 6 Aluminum Slider Rail**
Order two per manifold or one 400mm slider rail as this can be snapped into two 200mm lengths by hand.
Code 01306400 400mm or Code 01306398 200mm.



Pipe and Accessories

Gerpex MultiLayer pipe (PE-X/AL/PE-X) for Plumbing systems



Certificate No.
1404093



Description	Coils	Code	Unit Price £/m
16 x 2	100m	28106000	1.51
16 x 2	200m	28106010	1.51
16 x 2	500m	28106050	1.51
20 x 2	100m	28106004	1.99
20 x 2	200m	28106002	1.99
26 x 3	50m	28106006	3.49
32 x 3	50m	28106008	4.71
Description	4m Bar	Code	Unit Price £/m
16 x 2	96m*	28108010	1.99
20 x 2	96m*	28108014	2.55
26 x 3	40m*	28108016	4.63
32 x 3	28m*	28108018	6.41
40 x 3.5	20m*	28100090	17.03
50 x 4	20m*	28100092	22.88
63 x 4.5	12m*	28100094	33.51
75 x 5	12m*	28100070	58.15

WRAS approved, 5 layer pipe constructed using PE-Xb-AL-PE-Xb up to 32mm with PE-Xb-AL-PE-HD from 40mm to 75mm. Available in coils up to 32mm and in 4 metre bars throughout the range. Maximum operating pressure 10 bar, maximum operating temperature 95°C.

* Packs of 4m bar lengths, subject to transport surcharge, see carriage and delivery terms on page 4.

Gerpex Insulated MultiLayer pipe (PE-Xb-AL-PE-Xb) for Plumbing systems



Certificate No.
1404093



Description	Insul. Thick	Coil	Code	Unit Price £/m
16 x 2	6mm	50m	28106108	2.36
16 x 2	6mm	100m	28106100	2.32
20 x 2	6mm	50m	28106104	2.88
20 x 2	9mm	50m	28106106	3.16
26 x 3	9mm	50m	28102880	4.81
32 x 3	9mm	25m	28102872	6.74

WRAS approved, 5 layer pipe constructed using PE-Xb-AL-PE-Xb. Available in coils up to 32mm. Insulation thickness 6mm up to 20mm pipe and 9mm insulation thickness for sizes 20, 26 and 32mm pipe. Maximum operating pressure 10 bar, maximum operating temperature 95°C.

Gerpex MultiLayer Composite Pipe (Insulated and Colour Coded)



Certificate No.
1404093



Description	Colour/Insul. Thick	Coil	Code	Unit Price £/m
16 x 2	Red / 6mm	100m	28106140	2.32
16 x 2	Blue / 6mm	100m	28106142	2.32
20 x 2	Red / 6mm	50m	28106144	2.92
20 x 2	Blue / 6mm	50m	28106146	2.88
16 x 2	Blue / 10mm	50m	28102540	2.36
20 x 2	Blue / 13mm	50m	28102542	3.45
26 x 3	Blue / 13mm	25m	28102870	5.56
32 x 3	Blue / 13mm	25m	28102874	7.63

WRAS approved, 5 layer pipe constructed using PE-Xb-AL-PE-Xb. Available in coils up to 32mm. 16mm and 20mm available in both red and blue. 26 and 32mm available only in blue. Maximum operating pressure 10 bar, maximum operating temperature 95°C.

Gerpex Multilayer Composite Pipe in Corrugated Conduit



Description	Colour	Coil	Code	Unit Price £/m
16 x 2	Red	50m	28102350	2.60
16 x 2	Blue	50m	28102360	2.60

Description: 16 x 2mm Gerpex MLCP encased within flexible conduit.

Buyers Guide 2018

Pipe and Accessories (continued)

Monoblocco connector for plastic PB polybutylene pipe

Certificate No.
1507073

Description	Thread	Pcs/Pack	Code	Unit Price £
10	24x19	1	28100318	3.11
15	24x19	1	28100330	2.61

Please ensure you use the plastic pipe insert provided for by the manufacturer of the pipe you are using.

Monoblocco connector for copper pipe

Certificate No.
1507073

Description	Thread	Pcs/Pack	Code	Unit Price £
10	24x19	1	01321410	1.58
15	24x19	1	01321415	1.48

Monoblocco connector for MLCP MultiLayer composite pipes

Certificate No.
1507073

Description	Thread	Pcs/Pack	Code	Unit Price £
12 x 1.6	24x19	1	28100355	4.33
14 x 2	24x19	1	28100356	2.98
16 x 2	24x19	1	28100358	2.83
16 x 2.25	24x19	1	28100360	2.98
18 x 2	24x19	1	28100364	2.93
20 x 2	24x19	1	28100366	2.88
20 x 2.25	24x19	1	28100374	5.21
26 x 3	32x1.5	1	28100368	7.01

Note: Manifolds with 24x19 takeoff connections can be adapted for use with 32x1.5 Monobloccos by using the following fitting: 24x19F - 32x1.5M, code 01306252. See page 30.

Monoblocco connector for PE-X, Pure PE-RT and PP



Description	Thread	Pcs/Pack	Code	Unit Price £
12 x 1	24x19	1	28110100	3.03
12 x 2	24x19	1	28110106	3.10
15 x 1.7	24x19	1	28100326	4.10
16 x 1.5	24x19	1	28100332	3.95
16 x 2	24x19	1	28110118	2.99
16 x 2.2	24x19	1	28100336	3.95
17 x 2	24x19	1	28110122	2.95
20 x 2	24x19	1	28110346	3.10
25 x 2.3	24x19	1	28100382*	7.32

Not suitable for use with MLCP Pipe, see correct connector above.

Note: Manifolds with 24x19 takeoff connections can be adapted for use with 32x1.5 Monobloccos by using the following fitting: 24x19F - 32x1.5M, code 01306252. See page 30.

* Available while stocks last.

MLCP to Copper Connectors

Certificate No.
1507073

Description	Pcs/Pack	Code	Unit Price £
16x2 - 15mm	2	28110230	4.55
20x2 - 22mm	2	28110232	5.98
26x3 - 28mm	2	6109R026	9.34

A Monoblocco fitting developed to allow MLCP to be connected to standard copper compression fittings. For example, 16mm MLCP can be connected to a 15mm lever valve by using code 28110230.

Pipe and Accessories (continued)

Pipe shears



Description	Pcs/Pack	Code	Unit Price £
Ø 14 - 32	1	28100942	65.12
Spare blade	1	28100943	18.06

Pipe shears with guide



Description	Pcs/Pack	Code	Unit Price £
Ø 14 - 26	1	28101808	106.50
Spare blade	1	28101810	43.68

Rotary pipe slices



Description	Pcs/Pack	Code	Unit Price £
Pipe slice Ø 14 - 32	1	28100944	50.65
Spare wheel	1	28100948	19.84
Pipe slice Ø 6 - 75	1	28024081	179.50

Leakage test plug for MultiLayer Pipe - ½" F fitting



Description	Pcs/Pack	Code	Unit Price £
16 x 2	1	28101846	15.94
20 x 2	1	28101848	16.28

Complete with ½" F Fitting for air release valve (provided standard) or pressure gauge (optional).

Flarer and calibrator for MultiLayer pipe



Description	Pcs/Pack	Code	Unit Price £
Ø 16	1	U9280001	47.56
Ø 20	1	U9280002	48.81

For preparing the cut end of pipe prior to insertion of fitting.

Manifold Accessories

Backless on-wall manifold cabinet for heating manifolds



Description	Pcs/Pack	Code	Unit Price £
L400 (380 x 640 x 135)	1	U9282600	67.87
L 530 (510 x 640 x 135)	1	U9282620	77.42
L680 (660 x 640 x 135)	1	U9282630	90.12
L830 (810 x 640 x 135)	1	U9282640	102.00
L1030 (1010 x 640 x 135)	1	U9282650	115.90
L1130 (1110 x 640 x 135)	1	U9282660	119.00

A range of backless metal cabinets designed to be fitted once the manifold has been fitted, tested, commissioned and decoration has been completed. Please see cabinet sizing technical guide at www.emmeti.co.uk for correct selection.



Buyers Guide 2018

Manifold Accessories (continued)

Manifold cabinet in galvanized steel with white enamelled door



Description	Pcs/Pack	Code	Unit Price £
L500MM (560 x 600 x 80-120)	1	01301300	99.18
L700MM (760 x 600 x 80-120)	1	01301304	125.00
L850MM (910 x 600 x 80-120)	1	01301306	154.00
L1000MM (1060 x 600 x 80-120)	1	01301308	167.00
L1200MM (1260 x 600 x 80-120)	1	01301310	192.70

Door to fit flush with finished surface. Box for manifolds, flush fitting with adjustable depth. Supplied complete with quarter turn catch, feet adjustable for height from 0 to 100mm and cover for protection during site work. Key lock can be purchased separately see code 90065020.

Key lock for in wall manifold cabinets



Description	Pcs/Pack	Code	Unit Price £
Key lock	1	90065020	£25.19

Termobox - white plastic universal manifold box



Description	Pcs/Pack	Code	Unit Price £
310 x 310 x 90	1	01302090	18.76
460 x 310 x 90	1	01302100	23.11
610 x 310 x 90	1	01302110	29.62

Integrated into the back panel of the box are two slider rails, to support an upper and lower manifold when used with slider rail brackets.

Suitable for use with hot and cold plumbing manifolds, as well as heating manifolds. Knock out panels allow for pipe distribution on all sides.

For manifold sizing information, please see our website www.emmeti.co.uk

Copper adaptor; brass chrome-plated



Certificate No.
1607050



Description	Pcs/Pack	Code	Unit Price £
22mm copper x 1" M BSP	1	U9240018	5.56
22mm copper x ¾" M BSP	1	U9240020	4.19

Straight male fitting ½" - 32x1.5



Certificate No.
1507073



Description	Pcs/Pack	Code	Unit Price £
½" M BSP - 32x1.5	1	01306250	6.92

Complete with O-ring on ½" BSP male side.

Straight fitting female 24x19 - male 32x1.5



Certificate No.
1507073



Description	Pcs/Pack	Code	Unit Price £
24x19 - 32x1.5	1	01306252	7.85

Complete with O-ring and adaptor for female connection

Straight swivel adaptors, nickel-plated



Certificate No.
1507073



Description	Pcs/Pack	Code	Unit Price £
1" M x 1" M	1	01306426	12.09
1¼" M x 1¼" M	1	01306430	19.41
1¼" M x 1" M reducer	1	01306432	16.56
¾" M x ¾" M	1	01306434	11.44

Allows orientation of product during installation.

Manifold Accessories (continued)

Straight male-male adaptors



Certificate No.
1507073



Description	Pcs/Pack	Code	Unit Price £
1" M x 1" M with O-ring seal	1	90006700	5.27
1 1/4" M x 1 1/4" M with O-ring seal	1	90006910	8.48

For bridging between Topway manifolds.

Blanking plugs, male and female



Certificate No.
1507073



Description	Pcs/Pack	Code	Unit Price £
1/2" M with O-ring seal	1	90004930	1.42
3/4" M with O-ring seal	1	90004820	2.06
1" M with O-ring seal	1	90004830	2.77
1 1/4" M with O-ring seal	1	90005070	4.33
3/4" F (*)	1	01291536	1.85
1" F (*)	1	01291538	2.93
24x19 F with O-ring seal (Manifold outlet cap)	1	01321460	1.62

(*) Use the appropriate washer (90008200 or 90008210) shown below when ordering these items.

Female washers



Certificate No.
1507073



Description	Pcs/Pack	Code	Unit Price £
3/4" F	1	90008200	0.26
1" F	1	90008210	0.21

Reducer fittings, nickel-plated



Certificate No.
1507073



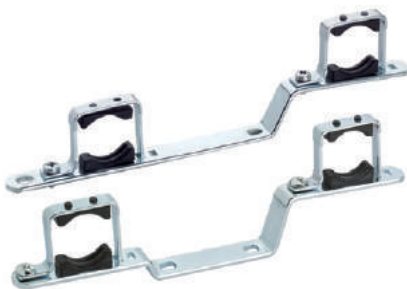
Description	Pcs/Pack	Code	Unit Price £
3/4" M x 3/8" F	1	90005050	2.01
3/4" M x 1/2" F	1	90004840	2.22
1" M x 3/8" F	1	90005060	3.63
1" M x 1/2" F	1	90004850	3.63
1" M x 3/4" F	1	90006870	3.06
1 1/4" M x 1/2" F	1	90005080	6.50
1 1/4" M x 1" F	1	90005084	4.87
1/2" M x 1/4" F with O-ring seal and gasket	1	01306464	4.08

Metal brackets for Topway manifolds, pairs of single brackets



Description	Pcs/Pack	Code	Pair Price £
3/4"	Pair	90011500	7.78
1"	Pair	90011510	7.85
1 1/4"	Pair	90011520	7.89

Metal brackets for Topway manifolds, pairs of double brackets



Description	Centres	Pcs/Pack	Code	Pair Price £
3/4"	200mm	Pair	90011530	12.91
1"	200mm	Pair	90011540	13.02
1 1/4"	200mm	Pair	90011550	13.12
3/4"	210mm	Pair	90011560	12.37
1"	210mm	Pair	90011570	12.48
1 1/4"	210mm	Pair	90011580	12.60

For use when fitting a manifold to either a 200mm or 210mm centre control group.



Buyers Guide 2018

Manifold Accessories (continued)

Plastic bracket support kits for Topway and TopSan manifolds



Description	Size	Pcs/Pack	Code	Pack Price £
10 pairs bracket support kit	¾"	1	01302120	11.88
10 pairs bracket support kit	1"	1	01302130	11.88

To be used with slider rails or Termobox cabinet.

Plastic bracket support kits for Modular and Multiplex manifolds



Description	Size	Pcs/Pack	Code	Pack Price £
10 pairs bracket support kit	¾"	1	01302140	10.21
10 pairs bracket support kit	1"	1	01302150	10.21

To be used with slider rails or Termobox cabinet.

Aluminium slider rail for bracket support kits supplied with screw and rawplug pack



Description	Pcs/Pack	Code	Unit Price £
200mm	1	01306398	9.88
400mm	1	01306400	15.17

Provided with two 4.5mm DIA pre-drilled holes.

The 400mm version is provided with four 4.5mm DIA pre-drilled holes, in two pairs spaced 160mm apart. Kiss cut at 200mm.

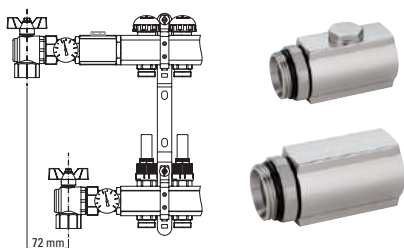
Insulating shells for Topway manifolds



Description	Pcs/Pack	Code	Unit Price £
1¼"	1	01306502	29.32

In extruded polyethylene. 12 branch holes at 50mm intervals. To be cut to size according to the number of ways of the manifold to be insulated.

Extension piece for Topway manifolds



Description	Pcs/Pack	Code	Unit Price £
M-F 1" c/w ½" blanked port	1	01306254	20.95
M-F 1¼" no port	1	01306256	23.91

Used to offset either the flow or return angled ball valves on the left side of a manifold. It allows you to run pipe vertically and parallel.

Spanner for straight swivel adaptors 37mm - 48mm AF



Description	Pcs/Pack	Code	Unit Price £
37 - 48mm	1	01306044	5.90

Two are required when tightening swivel adaptors.

Manifold Accessories (continued)**27mm-30mm AF spanner for tightening 24x19 Monoblocco connectors**

Description	Pcs/Pack	Code	Unit Price £
27-30mm	1	01306058	73.23

Design to easily tighten the takeoff connections in the 36mm interaxial space provided. The 30mm jaw is designed for use with larger Monoblocco connectors.

27mm AF spanner for tightening 24x19 Monoblocco connectors

Description	Pcs/Pack	Code	Unit Price £
27mm	1	01306054	7.63

For Monoblocco connectors up to dia 18mm only. Shoulderless spanner for manifolds with 36mm interaxials.

38mm AF spanner for 32x1.5mm Monoblocco connectors

Description	Pcs/Pack	Code	Unit Price £
38mm	1	28171002	115.50

To be used for the tightening of Monoblocco connectors 32x1.5 on the takeoff connections of Topway manifolds with 50mm connector spacing.



Underfloor Heating Overview

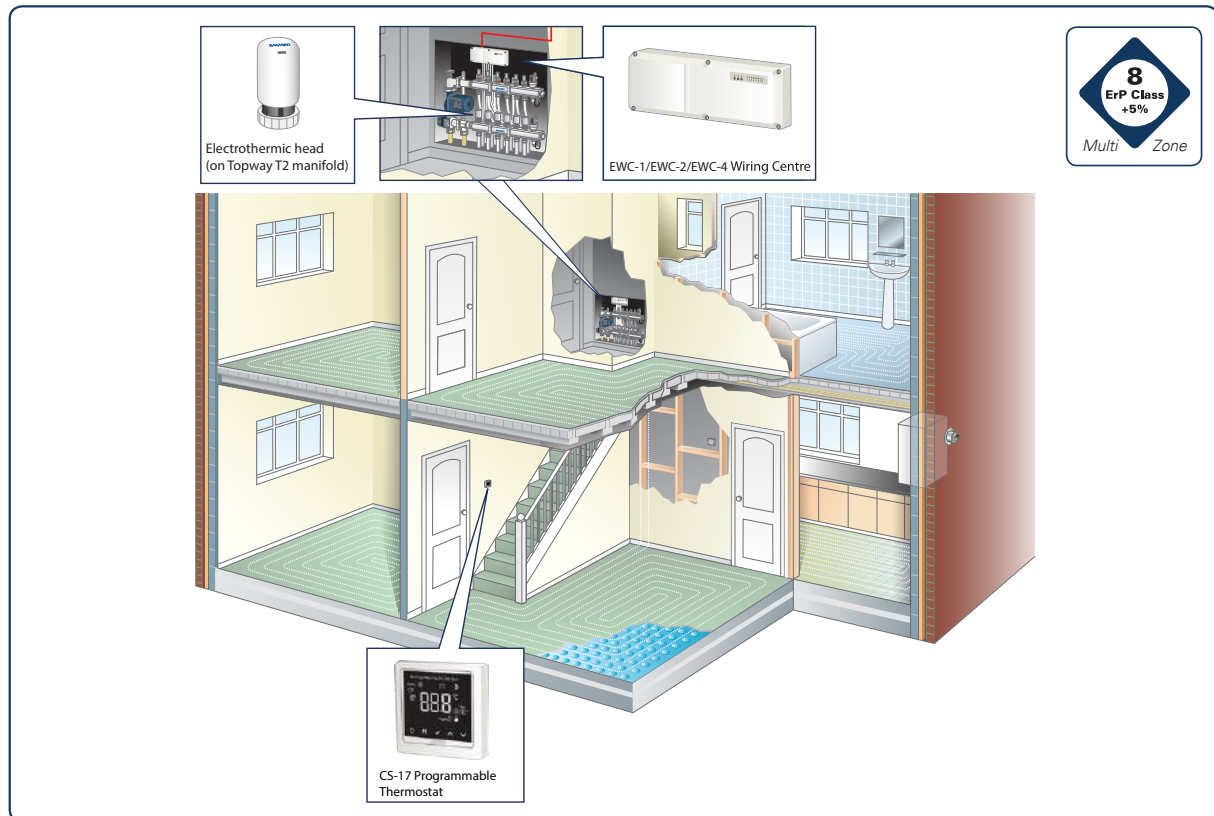
Underfloor heating is becoming the system of choice in the UK because of its ability to provide an efficient and uniform heat. The radiant heat provided at floor level creates a large heated surface that dissipates heat evenly into the living space whereas a radiator will produce convection currents that rise to the highest part of the room, meaning that the majority of the heat is lost at ceiling height.

This makes underfloor heating more efficient for two main reasons;

- The heat emitted is used more effectively, resulting in less wasted heat
- The heat required to enable this is generally delivered between 35-55°C compared with 65-75°C for radiators which means that the heat source will operate for a shorter amount of time and therefore use less energy.

These energy savings combined with silent running and increased flexibility for room layouts gives a solution that will add real value to a property.

Underfloor heating can work with a variety of heat sources such as gas and oil fired boilers as well as renewable technologies such as air and ground source heat pumps. It can also be installed to almost any floor type from concrete slab, timber joist and as a retro fit system over existing floors.



In addition to the pipe work a key component is the underfloor heating manifold and the associated controls. At Emmeti we offer an extensive range of high quality manifolds and controls plus the thermostats, pipes, and accessories required to form a full system solution.

All heating systems require electrical zone controls of some description, underfloor heating is no different. Emmeti offer a wide range of heating controls that will suit most projects.

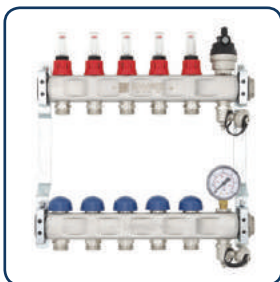
Controls required on a standard underfloor heating system, generally include individual room thermostats (temperature or time & temperature), electrothermic actuators for individual flow control and wiring centres for central electrical connection & pump/boiler interlock.

Emmeti also provide a range of remote sensors for a more discrete / bespoke system.



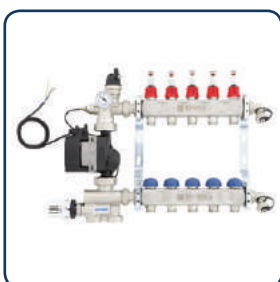
Buyers Guide 2018

UFH Manifold



The Topway Plus Type 2 manifold is a pre-assembled stainless-steel manifold for use with underfloor and wall hung radiator systems available with between 2 and 12 ways. Complete with flowmeters, a 6-bar pressure gauge and Tecno-Varia automatic air vent as standard. The 1" pre-assembled Topway manifold is suitable for use with a combined mixing valve and circulating pump set such as the TM3-R Mixing Unit.

UFH Pre-assembled manifold and control group



The FMU-3 Floor Mixing Unit is a pre-assembled control group and stainless-steel manifold assembly of between 2 and 12 ways, incorporating the TM3-R control group uses an integrated mixing valve with a remote sensing actuator, with an operating range of between 20° and 65°C. The FMU-3 includes a high efficiency Grundfos UPM3 Auto 7m, ErP 2015 compliant circulation pump.

UFH Control groups



The TM3-R is a control group for use with Emmeti's new Topway Plus stainless-steel manifold in underfloor heating applications, the TM3-R control group uses an integrated mixing valve with a remote sensing actuator, with an operating range of between 20° and 65°C. The FMU-3 includes a high efficiency Grundfos UPM3 Auto 7m, ErP 2015 compliant circulation pump.

The M3V-HE is a pre-assembled control group which allows combined connection of low temperature UFH and high temperature radiators. For use with Topway Type 2 Manifolds, includes a Class A Wilo Yonos Para HU 15/6 circulating pump, automatic air vent, drain/fill valves, mixing valve body for use with thermostatic or electronic actuators, differential bypass and swivel joints for direct connection to manifolds.

Ball Valves



A range of straight and angled ball valves, available in light or heavy pattern, boxed as pairs with blue and red handles for easy identification of flow and return connection.

Pipe and Accessories



Emmeti offer a wide range of underfloor heating pipe, connectors and pipe accessories to suit a variety of installations.

PERT - AL - PERT, PE-Xa, PE-Xc and PE-RT pipe available in a range of diameters and coil sizes. Emmeti Monoblocco connectors are patented, WRAS and BBA approved single piece adaptors available to suit pipe sizes 10 - 20mm and pipe types (PB, PE-Xa, PE-RT, MLCP, & copper). Pipe preparation and cutting tools available for all sizes.

Pipe Fixings



A range of flooring panels and fixings to suit various installation methods including tacker clips, castellated panels, edge insulation and spreader plates.

Zone Controls



A range of wired and wireless zone controls to suit all underfloor heating system requirements including 230V/24V/Wireless wiring centres, 230V/24V/Wireless room thermostats and 230V/24V timeswitches. Also available are a range of electrothermic actuators, over temperature protection devices, remote sensors and weather compensating controls.

Manifold Accessories



A range of manifold accessories designed to complement the manifold range including manifold cabinets, mounting brackets, connectors, pressure gauges and ancillary items.

Manifold Spares



A range of underfloor heating manifold spares.

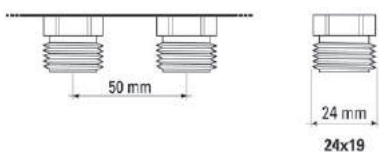


UFH Manifold

1" Pre-assembled Stainless Steel Manifold with Individual Flowmeter Commissioning Valves



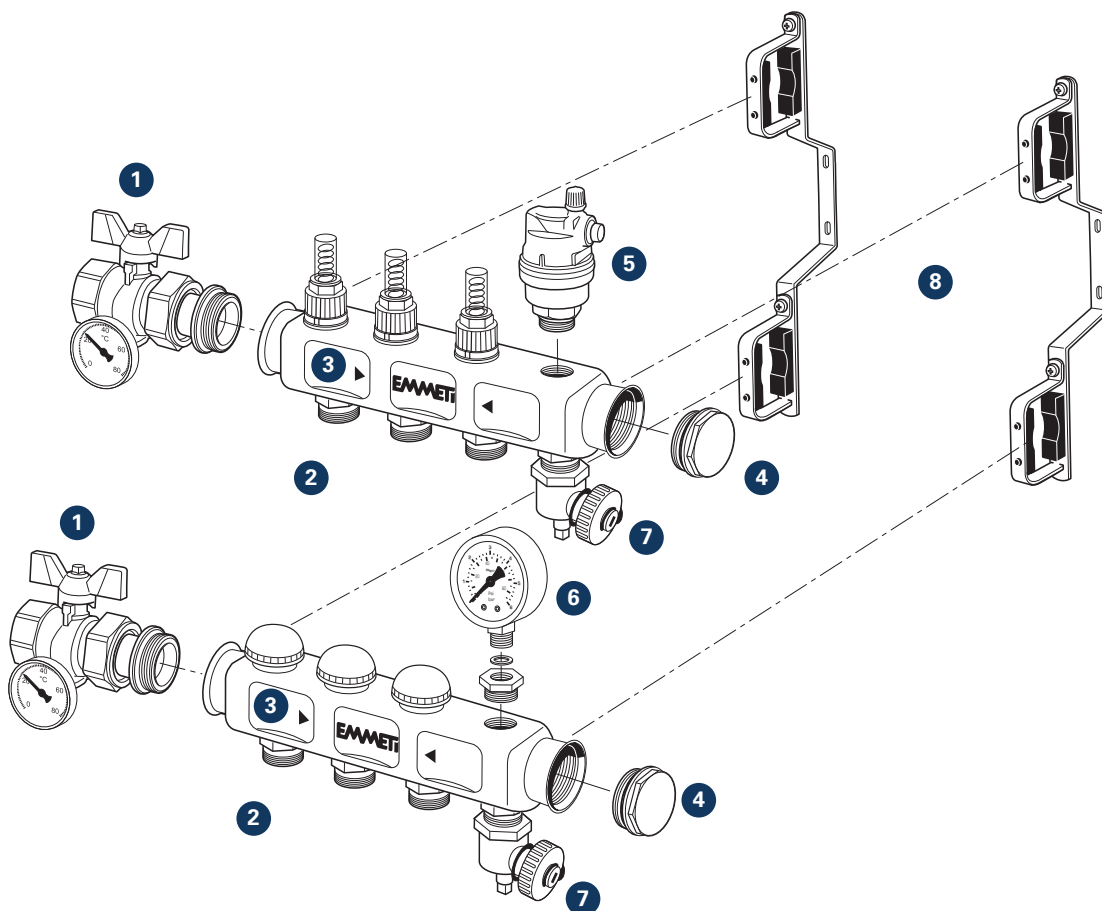
Description	Ways	Pcs/Pack	Code	Unit Price £
Flow rail at the top				
1"	2	1	01282260	139.00
1"	3	1	01282262	160.60
1"	4	1	01282264	183.00
1"	5	1	01282266	205.90
1"	6	1	01282268	228.40
1"	7	1	01282270	251.50
1"	8	1	01282272	274.40
1"	9	1	01282274	297.20
1"	10	1	01282276	319.60
1"	11	1	01282278	343.30
1"	12	1	01282280	365.70



Flow rail has a double regulating red sleeved 0 - 4 l/min flow meter per circuit that allows individual circuit flow regulation and isolation with visual flow indication. Return rail has a blue capped integrated electrothermic body to accommodate an electrothermic actuator per circuit.

Pre-assembled manifold includes 2 x drain off/fill valves, automatic air vents, 6-bar pressure gauge and 2 x blanking plugs. Pre-mounted onto a double offset bracket at 210mm centres.

For pipe, Emmeti Monoblocco connectors and valves please refer to the relevant pages within this section. These must be ordered separately.



1 Ball Valves
Code: 01306710 1" with thermometer / 01306708 1" without thermometer

2 Monoblocco Connectors
A range of Monoblocco connectors are available to suit pipe sizes 10mm – 20mm, and different pipe types PB, PE-X, PE-RT, MLCP and Copper. For the complete range please refer to the relevant pages within this section or visit our website www.emmeti.co.uk

3 Manifold
Code: 01282260 (2 Way) to 01282280 (12 Way) 1"

4 Blanking Plug
Code: 90004830 1" M with O-ring seal

5 Automatic Air Vent
Code: 00400020 Tecno-Varia auto air vent 1/2"

6 Pressure Gauge
Code: 90063890

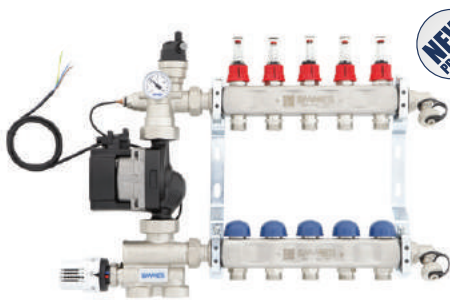
7 Drain Fill Valve
Code: 01306824 1/2" with 3/4" hose connection

8 Double Metal Brackets
Code: 01306826 1" 210mm



UFH Control Groups

FMU3 Floor Mixing Unit with low temperature manifold including flowmeters



NEW PRODUCT

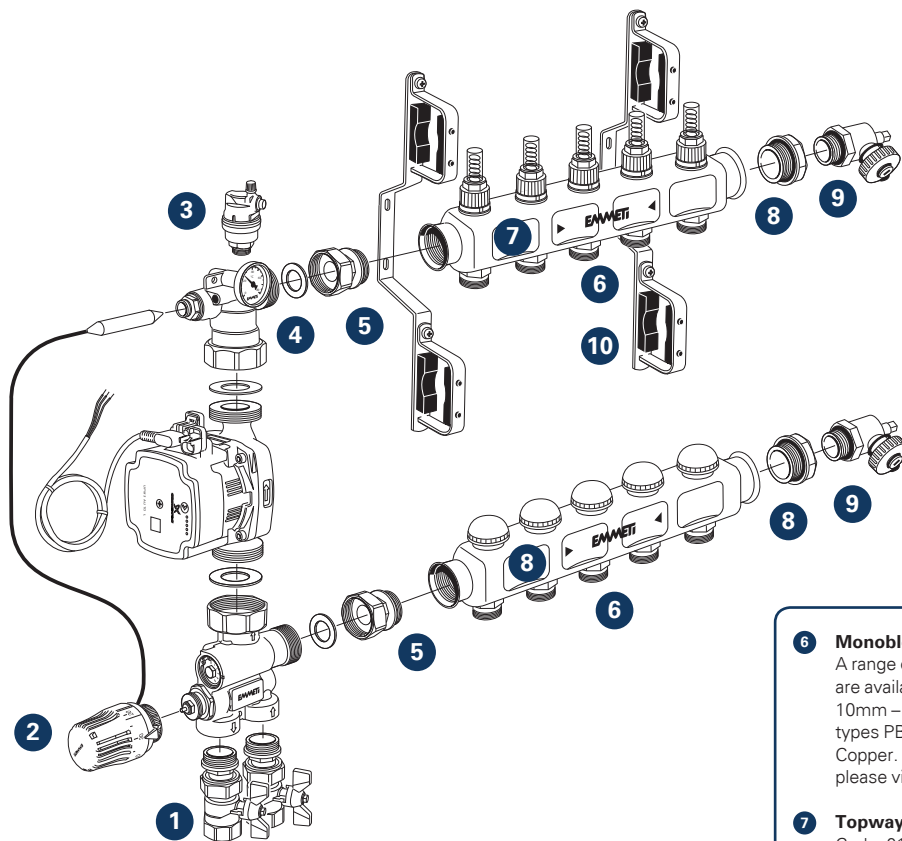
Description	Pcs/Pack	Code	Unit Price £
1" 2-Way	1	28132460	563.60
1" 3-Way	1	28132462	586.30
1" 4-Way	1	28132464	608.80
1" 5-Way	1	28132466	634.60
1" 6-Way	1	28132468	655.00
1" 7-Way	1	28132470	677.30
1" 8-Way	1	28132472	701.40
1" 9-Way	1	28132474	724.00
1" 10-Way	1	28132476	746.80
1" 11-Way	1	28132478	768.50
1" 12-Way	1	28132480	792.10



Designed for Underfloor heating the FMU-3 Floor Mixing Unit is a pre-assembled control group and stainless-steel manifold assembly between 2 and 12 ways. Incorporating the TM3-R control group that uses an integrated mixing valve with a remote sensing actuator, with an operating range of between 20° and 65°C. The FMU-3 includes a high efficiency Grundfos UPM3 Auto 7m pump.

The flow rail has a double regulating red sleeved 0 - 4 l/min flow meter per circuit that allows individual circuit flow regulation and isolation with visual flow indication. Return rail has a blue capped integrated electrothermic body to accommodate an electrothermic actuator per circuit. The Grundfos UPM3 Auto 7m pump is ErP 2015 compliant, with 3 control modes and a double de-blocking system.

For pipe, Emmeti Monoblocco connectors and valves please refer to the relevant pages within this section. These must be ordered separately.



- 1 Ball Valves**
Code: 01306710
1" with thermometer / 01306708 1" without thermometer
- 2 Thermostatic Actuator**
Code: 90060890 M30 x 1.5
- 3 Automatic Air Vent**
Code: 00400004
Tecno-Varia Automatic Air vent

- 4 Thermometer**
Code: 90006860 0° - 80°C
- 5 Union Connector**
Code: 90055960
1" M BSP x 1" F Union Connector

- 6 Monoblocco Connectors**
A range of Monoblocco connectors are available to suit pipe sizes 10mm - 20mm, and different pipe types PB, PE-X, PE-RT, MLCP and Copper. For the complete range please visit www.emmeti.co.uk.
- 7 Topway Plus Compact Manifold**
Code: 01292760 (2 Way) to 01292780 (12 Way)
- 8 Reducing Fitting**
Code: 90004850 1" M x 1/2" F
- 9 Drain / Fill Valve**
Code: 90011790 1/2" Drain / Fill Valve with 3/4" hose connection
- 10 Double Metal Brackets**
Code: 90011570 1" 210mm



UFH Control Groups (continued)

TM3-R Thermostatic Mixer Control Group with Grundfos UPM3 Auto pump



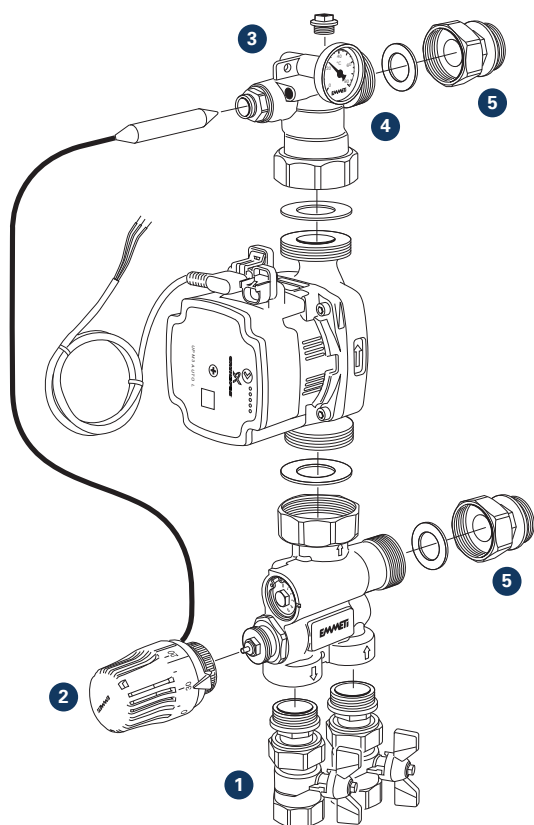
Description	Pcs/Pack	Code	Unit Price £
TM3-R Control Group,thermostatic mixing valve	1	28132260	460.10

The TM3-R is designed for Underfloor Heating. The control group incorporates a Grundfos UPM3 Auto 7m pump and a mixing valve with remote probe actuation to give a temperature range of between 20 - 65oC, making it suitable for screed drying purposes. It includes a throttle to increase Kv for larger systems. Compatible with our Type 2 Topway Plus manifold 210mm centres. Includes 1" M manifold connections with O-ring seals and 1" M connections for primary flow and return.

Includes a temperature gauge measuring the mixed flow temperature, manual air vent and bracket to support the weight of the pump.

The Grundfos UPM3 Auto 7m pump is ErP 2015 compliant, with 3 control modes and a double de-blocking system.

Mixing Valve Kvs 3 - 4.8, 10kw - 18kw.



- | | |
|--------------------------------|--|
| 1 Ball Valves | Code: 01306710
1" with thermometer / 01306708
1" without thermometer |
| 2 Thermostatic Actuator | Code: 90060890
M30 x 1.5 |
| 3 Manual Air Vent | Code: 00410021
½" |
| Thermometer | Code: 90006860
0° - 80°C |
| 5 Connector | Code: 90055960
1" M BSP x 1" F Union Connector |

M3V-HE Control Group with Class A circulating pump, mixing valve and auto bypass



Description	Pcs/Pack	Code	Unit Price £
1"	1	28158300	585.90
1¼"	1	28158310	592.20

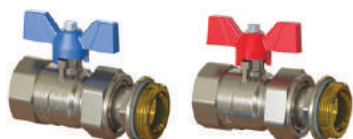
The M3V-HE is a mixing valve assembly with integrated Class A circulating pump, mixing valve body, drain/fill valves, automatic air vent and automatic bypass.

For use with Topway Type 2 Plus Manifolds at 200 or 210mm centres with thermostatic or electronic mixing capabilities.



Ball Valves

Pair of progress ball valves Male - Revolving nut with butterfly handle 1" F



Description	Pcs/Pack	Code	Pair Price £
1" F - MU	1	01306708	26.78

Boxed as a pair, with red and blue aluminium butterfly handles. Includes O-ring seals.

Pair straight Progress ball valves with offset temperature gauge, female - male union connection



Description	Pcs/Pack	Code	Pair Price £
1" F-MU	1	01306710	41.03

Boxed as a pair, with red and blue aluminium butterfly handles. Includes O-ring seals.

Pair of right angle progress ball valves, female-male with union connection



Description	Pcs/Pack	Code	Pair Price £
1" F - MU	1	01306712	38.18
1" F - MU c/w Temperature Gauge	1	01306714	51.25

Boxed as a pair, with red and blue aluminium butterfly handles. Includes O-ring seals.

Pair straight Progress ball valves with inline temperature gauge, compression and pipe union connection



Description	Pcs/Pack	Code	Pair Price £
22mm x 1" MU	1	6052R622	67.51

Boxed as a pair, with red and blue aluminium butterfly handles. Includes O-ring seals.

Pair right-angle Progress ball valves with female - male union connection



Description	Pcs/Pack	Code	Pair Price £
¾" F-MU	1	9745R005	35.20
1" F-MU	1	6064R006	53.78
1¼" F-MU	1	9745R007	88.17

Boxed as a pair, with red and blue aluminium butterfly handles. Includes O-ring seals.

Pair straight Progress ball valves with female - male union connection



Description	Pcs/Pack	Code	Pair Price £
¾" F-MU	1	9723R005	31.51
1" F-MU	1	6062R006	46.73
1¼" F-MU	1	9723R007	70.88
With inline temperature gauge			
1¼" F-MU	1	9722R007	86.18

Boxed as a pair, with red and blue aluminium butterfly handles. Includes O-ring seals.

Pair right-angle Progress ball valves with offset temperature gauge, female - male union connection



Description	Pcs/Pack	Code	Pair Price £
1" F-MU	1	6063R006	65.39

Boxed as a pair, with red and blue aluminium butterfly handles. Includes O-ring seals.

Pair right-angle Progress ball valves with inline temperature gauge, female - male union connection



Description	Pcs/Pack	Code	Pair Price £
1¼" F-MU	1	9744R007	103.90

Boxed as a pair, with red and blue aluminium butterfly handles. Includes O-ring seals.

Pipe & Accessories

Alpert MLCP MultiLayer barrier pipe for Underfloor Heating only



Certificate No.
1410567



Description	Coils	Code	Price £/m
16 x 2	100m	28107002	1.50
16 x 2 (random numbering)	100m	28107055*	1.48
16 x 2	200m	28107000	1.50
16 x 2	500m	28107004	1.50
20 x 2	100m	28107016	1.98
20 x 2	240m	28107018	1.98

MultiLayer Composite pipe. Made from a 5 layer composite material, using PE-RT as the inner and outer layers coupled with a 0.2mm butt welded aluminium core. Maximum operating pressure 10 bar; maximum operating temperature 70°C.

* pipe with random metre numbering, subject to availability.

PE-Xa barrier pipe



Description	Coils	Code	Price £/m
16 x 2	240m	U9530040	1.39
16 x 2	500m	U9530050	1.39
17 x 2	240m	28130674	1.80
17 x 2	600m	28130676	1.80
20 x 2	500m	28130684	2.14
25 x 2.3	500m	28130686	3.59

A 3 layer barrier pipe using a PE-Xa inner and an EVOH outer layer conforming to EN ISO 15875 and DIN 4726. Maximum operating pressure 6 bar; maximum operating temperature 95°C.

PE-Xc barrier pipe



Description	Coils	Code	Price £/m
12 x 2	240	28141802	1.51

12 x 2mm Five layer barrier pipe in high density polyethylene, cross linked. Easy to bend and secure for use in Underfloor Heating and Wall Hung Radiator Systems.

Maximum operating temperature 90 C at 10 bar. Conforms to EN ISO 15875-2 and DIN 4726

PE-RT Barrier Pipe



Description	Coils	Code	Price £/m
16 x 1.8	240	U9530060	0.88

16 x 1.8mm Three layer barrier pipe constructed of polyethylene of raised temperature (PE-RT) inner and an EVOH outer layer. For Heating applications only. Maximum operating temperature 80°C at 6 bar.

Pipe conduit



Description	Coils	Code	Price £/m
24x19 ID black*	25m	U9510110	1.39
25x20 ID red	50m	U9510030	1.01
25x20 ID blue	50m	U9510040	1.01
28x23 ID red	50m	U9510050	1.93
28x23 ID blue	50m	U9510060	1.93

A range of flexible conduit with an internal diameter of between 19mm and 23mm. To protect and sleeve the pipe through areas where heat is not required. Pipe marked * is slit for ease of installation.



Pipe & Accessories (continued)

Pipe Decoiler



Description	Pcs/Pack	Code	Unit Price £
Low Roll Decoiler	1	U9281810	363.60
Low Roll Decoiler with telescopic arms	1	U9281820	384.60
High Roll Decoiler	1	U9281830	363.60

These pipe decoilers allow pipe rolls to be uncoiled consistently and easily to aid installation.

Monoblocco connector for plastic PB polybutylene pipe



Certificate No.
1507073



Description	Thread	Pcs/Pack	Code	Unit Price £
10	24x19	1	28100318	3.11
15	24x19	1	28100330	2.61

Please ensure you use the plastic pipe insert provided for by the manufacturer of the pipe you are using.

Monoblocco connector for copper pipe



Certificate No.
1507073



Description	Thread	Pcs/Pack	Code	Unit Price £
10	24x19	1	01321410	1.58
15	24x19	1	01321415	1.48

Monoblocco connector for MLCP MultiLayer composite pipes



Certificate No.
1507073



Description	Thread	Pcs/Pack	Code	Unit Price £
12 x 1.6	24x19	1	28100355	4.33
14 x 2	24x19	1	28100356	2.98
16 x 2	24x19	1	28100358	2.83
16 x 2.25	24x19	1	28100360	2.98
18 x 2	24x19	1	28100364	2.93
20 x 2	24x19	1	28100366	2.88
20 x 2.25	24x19	1	28100374	5.21
26 x 3	32x1.5	1	28100368	7.01

Note: Manifolds with 24x19 takeoff connections can be adapted for use with 32x1.5 Monobloccos by using the following fitting: 24x19F - 32x1.5M, code 01306252. See page 30.

Monoblocco connector for PE-X, Pure PE-RT and PP, nickel-plated



Description	Thread	Pcs/Pack	Code	Unit Price £
12 x 1	24x19	1	28110100	3.03
12 x 2	24x19	1	28110106	3.10
15 x 1.7	24x19	1	28100326	4.10
16 x 1.5	24x19	1	28100332	3.95
16 x 1.8	24x19	1	6239R916	3.31
16 x 2	24x19	1	28110118	2.99
16 x 2.2	24x19	1	28100336	3.95
17 x 2	24x19	1	28110122	2.95
20 x 2	24x19	1	28110346	3.10
25 x 2.3	24x19	1	28100382*	7.32

Not suitable for use with MLCP Pipe, see correct connector above.

Note: Manifolds with 24x19 takeoff connections can be adapted for use with 32x1.5 Monobloccos by using the following fitting: 24x19F - 32x1.5M, code 01306252. See page 30.

* Available while stocks last.



Buyers Guide 2018

Pipe & Accessories (continued)

Pipe shears



Description	Pcs/Pack	Code	Unit Price £
Ø 14 - 32	1	28100942	65.12
Spare blade	1	28100943	18.06

Pipe shears with guide



Description	Pcs/Pack	Code	Unit Price £
Ø 14 - 26	1	28101808	106.50
Spare blade	1	28101810	43.68

Rotary pipe slices



Description	Pcs/Pack	Code	Unit Price £
Pipe slice Ø 14 - 32	1	28100944	50.65
Spare wheel	1	28100948	19.84
Pipe slice Ø 6 - 75	1	28024081	179.50

Leakage test plug for MultiLayer Pipe - 1/2" F fitting



Description	Pcs/Pack	Code	Unit Price £
16 x 2	1	28101846	15.94
20 x 2	1	28101848	16.28

Complete with 1/2" F Fitting for air release valve (provided standard) or pressure gauge (optional).

Flarer and calibrator for MultiLayer pipe



Description	Pcs/Pack	Code	Unit Price £
Ø 16	1	U9280001	47.46
Ø 20	1	U9280002	48.81

For preparing the cut end of pipe prior to insertion of fitting.

Underfloor Heating Fixings

Scored Edge Strip



Description	Pack	Code	Price per M
Edge Strip 150mm	25m roll	U9282010	0.77
Edge Strip with Overlap 150mm	25m roll	U9282020	0.87
Edge Strip c/w Overlap, adhesive 150mm	25m roll	U9282030	0.94
Edge Strip 130mm	25m roll	U9282040	0.69
Edge Strip with Overlap, 130mm	25m roll	U9282050	0.83
Edge Strip c/w Overlap, adhesive 130mm	25m roll	U9282060	0.93

Available in 2 widths 150mm and 130mm, both are 8mm thick in 25m rolls, three variants: Scored Edge Strip; Scored Edge Strip with Overlap (overlap creates a barrier between floor insulation and edging strip); Scored Edge Strip with adhesive tape (3cm wide) for easy application to the wall.

Underfloor Heating Fixings (continued)

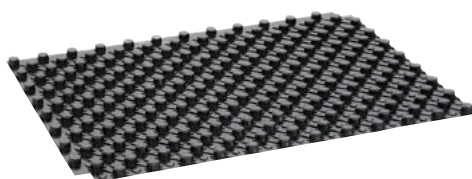
Clip Rail for pipe 16mm to 20mm



Description	Unit Length	Pcs/Pack	Code	Unit Price £
Clip Rail without adhesive	1m	1 Rail	U9282400	2.34
Clip Rail with adhesive	1m	1 Rail	U9282410	2.74
Clip Rail with double barb	1m	1 Rail	U9282420	2.86

Three types of mounting rail to cater for pipes from 16mm to 20mm: Clip Rail without self adhesive tape, Clip rail with adhesive and Clip rail with double barb. All 1 metre in length and can be interconnected.

Castellated Panel



Description	Pcs/Pack	Code	Unit Price £
1250 x 850mm no adhesive layer	10.56m ²	28134260	151.00
1250 x 850mm with adhesive layer	10.56m ²	28134262	218.10

The panels are non-insulated and are designed to be laid on top of the insulation. The panels allow easy installation of Underfloor Heating pipework. A pack contains 11 panels.

Pipe bend supports



Description	Pcs/Pack	Code	Unit Price £
Bend Support 10-12mm with fixing lug	1	U9282500	1.18
Bend Support 14-18mm	1	U9282510	1.10
Bend Support 20-22mm	1	U9282520	1.42
Bend Support 25mm	1	U9282530	1.73
Bend Support 32-34mm	1	U9282540	4.29

Used to protect and support the pipe between the manifold and where it enters the floor, will prevent the pipe from excessive bending. Smaller size includes a fixing lug.

Tacker gun for 40mm – 60mm pipe staples



Description	Pcs/Pack	Code	Unit Price £
Tacker Gun	1	U9282320	£303.90

This manual stapling tool is designed to allow quick and continuous pipe fixing to insulation layer. It is recommended that you use the Emmeti tacker staples, shown below with this tacker gun. Now features a clip removal window in case of the clipping mechanism becoming blocked during installation.

Tacker staples for 16mm - 20mm pipe



Description	Pcs/Pack	Code	Unit Price £
Single Hook 40mm	300	U9282100	0.06
Double Hook 40mm	300	U9282110	0.06
Double Hook 50mm	250	U9282120	0.07
Single Hook 57mm	300	U9282130	0.07

A range of staples designed for use with our tacker gun. Available in three lengths and as single or double hooked staples.



Buyers Guide 2018

Underfloor Heating Fixings (continued)

Manual Clips for 15mm – 18mm pipe



Description	Pcs/Pack	Code	Unit Price £
Manual Clips 50mm (PP)	200	U9282200	0.05
Manual Clips 66mm (PP)	200	U9282220	0.06

Enables manual installation of pipe to the insulating layer. Material is Polypropylene (PP).

Straddle clips



Description	Pcs/Pack	Code	Unit Price £
Straddle Clip 90 x 28mm	100	U9282260	0.11

For use on insulation panels to retain and guide pipe, by bridging between bosses. Can also be used to bridge between insulation sheets to anchor them in place.

Twist Pipe Clips for 16mm – 18mm pipe



Description	Pcs/Pack	Code	Unit Price £
Manual Twist Pipe Clip for 16mm-18mm	50	U9282240	0.21

Used to fix floor heating pipes to the insulating layer, designed to be hand threaded into insulation to the pipe.

Spreader (heat emission) aluminium plates

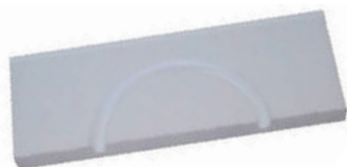


Description	Mts/Pack	Code	Unit Price £
Double Channel (2 way) without cuts 390mm x 1m x 0.5mm x 200mm ctrs	40	U9285450	11.69
Double Channel (2 way) cuts 390mm x 1m x 0.5mm x 200mm ctrs	40	U9285460	12.48
Single Channel (1 way) without cuts 195mm x 1m x 0.5mm	50	U9285470	7.80
Single Channel (1 way) cuts 195mm x 1m x 0.5mm	40	U9285480	7.80

To suspend Underfloor Heating pipe between joists or beneath wooden flooring. Can also be used with castellated panels to give even dissipation of heat. Available as single or double channels with 200mm centres.

Suitable for 16mm pipe.

Closing Bend for Spreader Plates

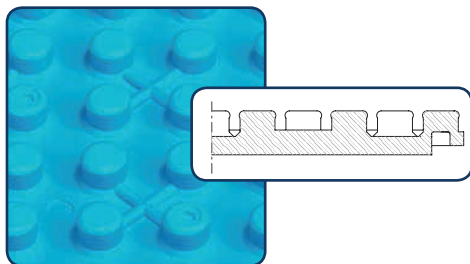


Description	Pcs/Pack	Code	Unit Price £
Closing bend for Spreader Plate 400mm x 150 x 200mm X16 dia Pipe	10	U9285510	2.74

For use with spreader plates. Designed to allow a closed bend at the end of each loop. Suitable for 16mm pipe, at 200mm centres. Material, expanded polystyrene.

Underfloor Heating Fixings (continued)

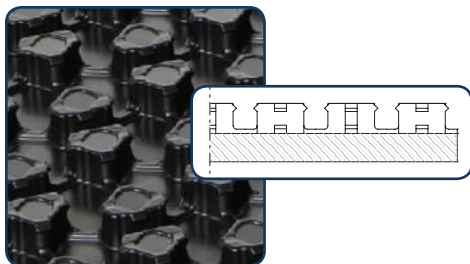
Standard floor insulating panel



Description	OH	TI	Density	Price £ m ²	Pack m ²	Code	Pack Price £
1100 x 600 x 32 / 10			40 kg/m ³	19.21	14.52	28130079	279.00
1100 x 600 x 48 / 20			30 kg/m ³	20.39	7.92	28134060	161.50
1100 x 600 x 63 / 30			30 kg/m ³	23.59	6.6	28134050	155.70
1100 x 600 x 78 / H40			30 kg/m ³	30.59	5.28	28134062	161.50
1100 x 600 x 78 / 50			30 kg/m ³	36.52	4.62	28130093	168.70
1100 x 600 x 88 / H60			30 kg/m ³	42.83	3.96	28134064	169.60

Blue panel in expanded polystyrene (EPS), with castellated surface bosses and interlocking grooves on overlapping edges, clad in a 0.16mm film of rigid polystyrene. Pipe spacing 50mm, for 16mm-17mm pipe. CE EN 13163.

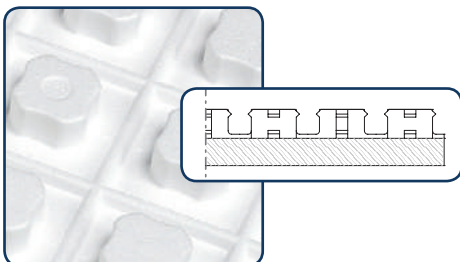
Standard Combi floor insulating panel



Description	OH	TI	Density	Price £ m ²	Pack m ²	Code	Pack Price £
1200 x 800 x 32 / H10			30 kg/m ³	20.03	18.24	28134075	365.40
1200 x 800 x 42 / H20			25 kg/m ³	22.75	13.44	28134077	305.80
1200 x 800 x 52 / H30			25 kg/m ³	26.42	9.6	28134079	253.60

Black panel in expanded polystyrene (EPS), with castellated surface bosses and interlocking grooves on overlapping edges, Clad in a 0.8mm film of rigid polystyrene. Pipe spacing 50mm, for 16-17mm pipe. CE EN 13163.

Classic floor insulating panel without film

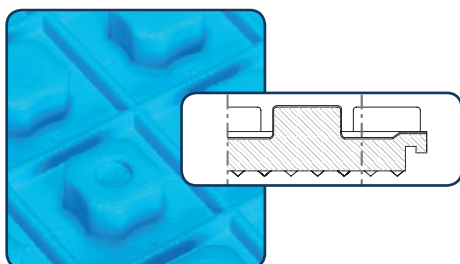


Description	OH	TI	Density	Price £ m ²	Pack m ²	Code	Pack Price £
1200 x 750 x 50 / 20			25 kg/m ³	12.88	10.8	28130097	139.20

White panel in polystyrene (EPS), with castellated surface bosses and tongue-and-groove edges, no film, pipe spacing: 75mm, for 16-17-20mm pipe. CE EN 13163.

* Available on request only: 40 days lead time.

Classic floor insulating panel with polystyrene film (0.16mm thickness)

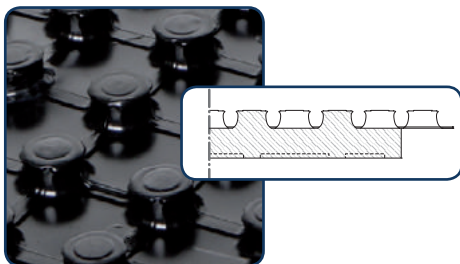


Description	OH	TI	Density	Price £ m ²	Pack m ²	Code	Pack Price £
1200 x 750 x 65 / 30			30 kg/m ³	25.27	9	28130099	227.40
1200 x 750 x 65 / 30			25 kg/m ³	23.28	9	28134024	209.50

Blue panel in polystyrene (EPS), with castellated surface bosses and tongue-and-groove edges, with polystyrene 0.16mm film, pipe spacing: 75mm, for 16-17-20mm pipe. CE EN 13163.

Available on request only: 40 days lead time.

Step Combi floor sound-insulating panel



Description	OH	TI	Price £ m ²	Pack m ²	Code	Pack Price £
1400 x 800 x 51 / 30			27.18	6.72	28134098	182.50

Black panel in elastic expanded polystyrene (EPS-T), thermal and acoustic insulation (to 26dB under EN12354-2), with castellated surface bosses and interlocking knobs on overlapping edges, clad in a moulded 0.6mm film of rigid polystyrene. Pipe spacing 50mm, for 16mm pipe. CE EN 13163.

Available on request only: 40 days lead time.

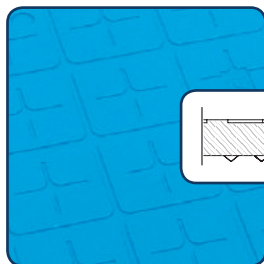
These are not weight bearing surfaces. Please ensure that there is sufficient mechanical strength in the floor construction. For sizing, OH means overall height and TI is thickness of insulation element of the panel.



Buyers Guide 2018

Underfloor Heating Fixings (continued)

Plan floor insulating panel (not castellated)

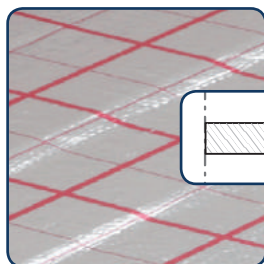


Description	OH	TI	Density	Price £ m ²	Pack m ²	Code	Pack Price £
1100 x 600 x 30 / 30			30 kg/m ³	18.69	21.35	28130072	225.50

Blue panel in polystyrene (EPS) for thermal insulation, with surface marks for laying pipes and perimeter slots (not castellated). Clad in a 0.16mm film of rigid polystyrene. 50mm pipe spacing marked. CE EN 13163.

Available on request only: 40 days lead time.

Floor insulating panel in a roll (not castellated)

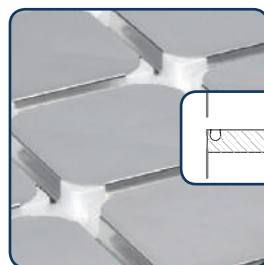


Description	OH	TI	Density	Price £ m ²	Pack m ²	Code	Pack Price £
10000 x 1000 x 30 / 30			25 kg/m ³	23.38	10	28134250	233.80
10000 x 1000 x 40 / 40(*)			25 kg/m ³	26.59	10	28134252	265.90
10000 x 1000 x 50 / 50(*)			25 kg/m ³	30.74	10	28134254	307.40

Supplied as a 10 metre roll, 1 metre wide. Made of moulded expanded polystyrene (EPS) for thermal insulation, with an upper layer of aluminium / HDPE 0.16mm film and self-adhesive edge. Marked with red pipe guide lines at 50mm intervals.

(*) Available on request only: 40 days lead time.

Dry Floor insulating panel



Description	OH	TI	Price £ m ²	Pack m ²	Code	Pack Price £
1200 x 600 x 28 / 10			60.93	11.52	28134100	701.90

Silver coloured expanded polystyrene panel EPS 200, with dovetail joints on the 4 sides and an upper aluminium foil layer 0.3mm. Pipe centres 150mm, for 17mm pipe. For straight runs only. CE EN 13163.

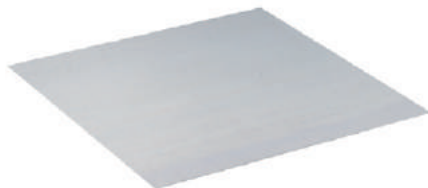
Dry Floor insulating panel header



Description	OH	TI	Price £ m ²	Pack m ²	Code	Pack Price £
600 x 300 x 28 / 10			55.43	5.76	28134104	319.30

Silver coloured expanded polystyrene panel EPS 200, with dovetail joints on the 4 sides and upper rigid polystyrene coating 0.3mm (it doesn't have an aluminium layer). Designed to allow a closed bend at the end of each loop. For 17mm pipe. CE EN 13163.

Galvanised steel plate, thickness 1 mm



Description	Pack m ²	Code	Pack Price £
600 x 600 x 1 (*)	3.6	28134108	168.50
600 x 300 x 1 (*)	3.6	28134112	168.50
600 x 600 x 1 (**)	3.6	28134110	224.10
600 x 300 x 1 (**)	3.6	28134114	224.10

(*) Without adhesive side - (**) With adhesive side.

Zone Controls

EWC-1 hard wired wiring centres



Description	Pcs/Pack	Code	Unit Price £
230V 8-way wiring centre with on-off switch	1	U9360010	162.00
24V 8-way wiring centre with on-off switch	1	U9360020	221.70

The EWC-1 wiring centre allows central connection of all system electrical components (230 or 24V) including:

- Up to 8 room thermostats
- Manifold circulating pump
- Central timeswitch
- Electro-thermic actuators (up to 5 per channel)
- Boiler signal

LED indication for each circuit, pump and boiler. On/off switch for safe isolation. Earth continuity terminals included. 24V version includes a 50VA transformer with the capacity to connect up to 15 x 3W actuators. For wiring and mounting details please see our website www.emmeti.co.uk.

EWC-2 hard wired wiring centres



Description	Pcs/Pack	Code	Unit Price £
230V 8-way wiring centre	1	U9370001	123.80
230V 12-way wiring centre	1	U9370002	196.10

The EWC-2 wiring centre is available in 8 or 12 ways. Allows central connection of all system electrical components (230V only) including:

- Up to 8 or 12 room thermostats
- Manifold circulating pump
- Central timeswitch
- Electro-thermic actuators (up to 5 per channel)
- Boiler signal

LED indication for pump/boiler combined. Earth continuity terminals included. For wiring and mounting details please see our website www.emmeti.co.uk.

EWC-4 hard wired wiring centres



Description	Pcs/Pack	Code	Unit Price £
230V 4 way wiring centre	1	U9380001	83.92

The EWC-4 is a compact, 4 way wiring centre designed for small UFH and WHR systems. Allows central connection of all system components and includes:

- Connection for up to 4 room thermostats
- Central timeswitch terminals
- Manifold circulating pump terminals
- Boiler volt free terminals
- Electrothermic actuator connection (up to 3 per channel)
- LED indication for boiler/pump operation.

LED indication for pump/boiler combined. Earth continuity terminals included. For wiring and mounting details please see our website www.emmeti.co.uk.



Zone Controls (continued)

CS-17 Touch - Touchscreen Programmable Thermostat



Single Zone



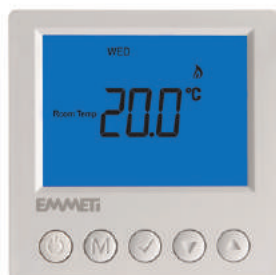
Multi Zone

Description	Pcs/Pack	Code	Unit Price £
230V Touchscreen Programmable Stat	1	U9320001	73.88



A touchscreen programmable thermostat for Underfloor and Wall Hung Radiator systems. Features include touch screen operation, remote sensing for air and floor use, temperature limiting function, frost protection and optimum start.

Digital Thermostats (Programmable and Non-Programmable)



Single Zone



Multi Zone

Description	Pcs/Pack	Code	Unit Price £
230V Programmable Stat	1	U9310047	60.09
24V Programmable Stat	1	U9310140	60.09
230V Simple NSB Stat	1	U9310090	59.75
24V Simple NSB Stat	1	U9310190	59.75

The CS-11 range has 4 options, simple night setback version (230V & 24V) and programmable (230V & 24V) for a wide range of application including Underfloor Heating and Wall Hung Radiator systems.

Simple nightset back version has volt free contacts to allow a timed feed as well as a night setback feed for a temperature setback function.

Programmable version has 230V 16A switching capabilities for timed switching of system components.

All 4 options are low profile, designed to be fitted to a 35mm back box and come complete with 3m remote sensor, temperature limiting option and frost protection.

CS-11 LCD Digital Timeswitch



Description	Pcs/Pack	Code	Unit Price £
230V Timeswitch	1	U9310070	59.75
24V Timeswitch	1	U9310170	59.75

Electronic digital single channel timeswitch enables the time control of Underfloor or Wall Hung Radiator circuits. Programming allows 6 on/off events per day as 7 day, 5 + 2, 6 + 1 and 24 hour programmes. Designed to be fitted to a 35mm single gang back box. 230V or 24V versions available.

For installation requirements and wiring connections, please see our website www.emmeti.co.uk.

TSTS -17 Touchscreen Timeswitches



Description	Pcs/Pack	Code	Unit Price £
230V Touchscreen Timeswitch (2 Channel)	1	U9310072	112.50
230V Touchscreen Timeswitch (3 Channel)	1	U9310073	122.60

Two and three Channel touchscreen programmable timeswitches for use in multi-system applications. ON/OFF switching for 2 or 3 channels respectively.

2 channel version has the option to switch CH1 & CH2 or DHW & Heating.

3 channel version has the option to switch CH1, CH2 & CH3 or Heating 1, Heating 2 & DHW.



Zone Controls (continued)

Termec electromechanical dial operated room thermostat



Description	Pcs/Pack	Code	Unit Price £
230V / 24V 3 contact	1	02001012	18.48
230V 3 contact with LED	1	02001014	19.94
230V 3 contact with LED & ind. switch*	1	02001016	24.84
230V 3 contact with LED & on-off switch	1	02001018	24.03
230V 2 contact with LED & heating/cooling/off switch	1	02001020	25.10

Features include: LED calling for heat light, temperature range 5°C to 30°C, temperature differential 1.4°C, on-off and heating/cooling switch options.

*02001016 has an on-off switch which can be wired independently of the thermostat contacts.

Electromechanical dial operated room thermostat



Description	Pcs/Pack	Code	Unit Price £
230V / 24V 3 contact	1	U9132105	21.34
230V 3 contact with LED	1	U9132110	22.60
230V 3 contact with LED & on-off switch	1	U9132120	29.40
230V 3 contact with LED & heating / cooling switch	1	U9132135	30.65

Features include: LED calling for heat light, on-off and heating-cooling switch options. The U9132105 model may also be used for 24V applications.

Electronic dial operated room thermostat



Description	Pcs/Pack	Code	Unit Price £
230V 3 contact with LED and night setback (NSB) operation	1	U9132016	37.48
24V 3 contact with LED and night setback (NSB) operation	1	U9132013	37.48

Electronic dial operated thermostat with changeover contacts available in 230V and 24V versions. LED provides call for heat indicator. U9132016 and U9132013 include variable night setback operation from 2°C to 7°C (default 4.5°C) when used with a suitable timeswitch. Available with remote sensor options overleaf.

Tamperproof room thermostat



Description	Pcs/Pack	Code	Unit Price £
230V 3 contact with LED and night setback (NSB) operation	1	U9132075	40.49
24V 3 contact with LED and night setback (NSB) operation	1	U9132085	40.49

Electronic thermostat with concealed dial adjustment available in 230V and 24V versions. Both models include variable night setback (NSB) operation from 2°C to 7°C (default 4.5°C) when used with a suitable timeswitch.



Zone Controls (continued)

Remote sensors, concealed and wall-mounted types

U9132011 / U9250060



U9132012 / U9132023

Description	Pcs/Pack	Code	Unit Price £
Remote sensor NTC 4.7k without casing, 1.5m length	1	U9132011	12.79
Remote sensor NTC 4.7K without casing, 3m length	1	U9250060	21.79
Remote sensor NTC 4.7k with casing, no lead	1	U9132012	10.65
Remote sensor 10K with casing, no lead	1	U9132023	10.65

Please see below compatibility table for use with Emmeti thermostats.

Descripton	Emmeti Sales Code	Suitable for	Emmeti sales code
Remote NTC 4.7k sensor with casing no lead Remote NTC 4.7k sensor without casing 1.5m lead	U9132012 U9132011	Electronic dial room thermostat 24V with LED Electronic dial room thermostat 230V with LED Tamperproof room thermostat 230V Tamperproof room thermostat 24V	U9132013 U9132016 U9132075 U9132085
Remote NTC 10k sensor with casing no lead	U9132023	CS-11, TST-11 and CS-17 thermostat range	U9310090/ U9310190 U9310047/ U9310140 U9310010/ U9310110 U9320001

Sensor pocket



Description	Pcs/Pack	Code	Unit Price £
Brass Pocket 6mm dia x 33mm	1	U9132310	10.65

Brass pocket with a 1/2" BSPM thread. For remote sensors U9132011 and U9250060.

Over Temperature Protection



Description	Pcs/Pack	Code	Unit Price £
Over Temp. Thermostat Low 20-40°C	1	U9132330	48.66
Over Temp. Thermostat High 40-70°C	1	U9132340	48.66

An over temperature protection device available in two versions - High Temperature for direct manifold protection and Low Temperature for overall floor protection. Designed to be connected in series to the circulating pump, zone valve or heat source to "lock out" in the event of an over temperature situation. Internal dial to set the temperature limit and manually resettable lock out button.



Zone Controls (continued)

Control T - electrothermic head



Description	Pcs/Pack	Code	Unit Price £
Normally closed			
230V NC	1	01213242	18.53
24V NC	1	01213202	18.81
Normally open			
230V NO	1	01213280	19.10
24V NO	1	01213260	19.39

Note: The electrothermic heads can be used in conjunction with: Topway Type 2, FCU-HE and FMU3 Floor Mixing Unit. Supplied with 1m cable. 2 wire.

Control T - electrothermic head normally closed with end switch (4 A 230 V)



Description	Pcs/Pack	Code	Unit Price £
230V with micro switch NC	1	01213252	22.54
24V with micro switch NC	1	01213212	22.83

Note: The electrothermic heads can be used in conjunction with: Topway Type 2, FCU-HE and FMU3 Floor Mixing Unit. Supplied with 1m cable. 4-wire. The two additional cores are connected to an auxiliary switch, which allows an external load to be energised on operation of the head.

Adaptor for Control T electrothermic heads



Description	Pcs/Pack	Code	Pack Price £
Spacing disc c. 9mm dia. X 1mm thick	12	90039364	2.34

To be fitted to electrothermic heads in order to give additional travel when fitted to non-Emmeti manifolds.

Zone Controls - Wireless

N MC2 W 2-channel wiring centre



Description	Pcs/Pack	Code	Unit Price £
2 Channel Wiring Centre	1	02018118	165.40

230V wiring centre with two independent channels (and auxiliary pump supply relay) which can be assigned to two different wireless thermostat controls (e.g. the N CTA W, N ETA W or N TA W above) for the activation of electrothermic actuators when used with the N AR W receiving antenna above. Can be connected to 8 channel wiring centres below using the 800mm cable supplied. The centre also has the facility for night setback (NSB) operation with a N TA W thermostat. For installation, wiring and commissioning please see our website www.emmeti.co.uk.

N MC8 W 8-channel wiring centre



Description	Pcs/Pack	Code	Unit Price £
8 Channel Wiring Centre	1	02018120	258.30

230V wiring centre with eight independent channels (plus auxiliary relay for pump supply) which can be assigned to eight different wireless controls (e.g. the N CTA W, N ETA W or N TA W above) for the activation of electrothermic actuators when used with the NAR W receiving antenna above. Can be connected to other 8 channel centres or a 2 channel centre above using the 800mm cable supplied. The centre also has the facility for night setback (NSB) operation with a N TA W thermostat. For installation, wiring and commissioning please see our website www.emmeti.co.uk.



Buyers Guide 2018

Zone Controls - Wireless (continued)

N CTA W Programmable thermostat



Description	Pcs/Pack	Code	Unit Price £
Wireless Programmable Thermostat	1	02018110	112.10

Battery powered wireless electronic programmable thermostat with push-button programming, and large backlit LCD screen with programme and temperature/optional current time display. The unit can be programmed to give either 24 hour/7 day operation with up to four programme periods a day. The front flap gives access to battery compartment and two dial operated temperature settings for day / night operation. Other features include anti-frost function, combined air and floor sensor function and holiday mode. Available with remote sensor options see page 55.

N TA W Thermostat



Description	Pcs/Pack	Code	Unit Price £
Wireless Dial Thermostat	1	02018112	63.24

Battery powered wireless dial operated electronic thermostat that can operate to control heating or cooling with a simple internal change. The remotely located thermostat will signal the N AR W receivers connected to the 2- or 8-channel wiring centres below. Night set back (NSB) facility is available via the wiring centre. Available with remote sensor option see page 52.

N ETA W Digital Wireless Thermostat



Description	Pcs/Pack	Code	Unit Price £
Wireless Digital Thermostat	1	U9132155	89.45

Wireless battery operated digital thermostat with blue back-lit LCD display. This unit can operate to control both heating and cooling and has temperature range limitation.

The remotely located thermostat will signal the N AR W receivers connected to the 2 or 8-channel wiring centres below. Night set back (NSB) facility is available via the wiring centre. Available with remote sensor option see page 52.

N AR W Receiving antenna



Description	Pcs/Pack	Code	Unit Price £
Wireless Receiver	1	U9132175	139.50

Wireless receiving antenna. Receives signalling from N TA W, N ETA W and N CTA W thermostats remotely located. Complete with 5m of cable for connecting to N MC2 W or N MC8 W wiring centres. One antenna can be used with up to ten wiring centres interconnected by the cables supplied with the wiring centre. They can also be used as repeaters to solve problems of difficult wireless transmission in large buildings. The power supply unit in this section should be used with the antenna when installed as a repeater.

N R1 W 1-channel wiring centre and receiver



Description	Pcs/Pack	Code	Unit Price £
Wireless Single Channel Receiver	1	U9132165	92.95

A 230V combined single channel wiring centre and receiving antenna.

Designed to switch electrothermic heads or circulators up to a maximum rating of 6A. Suitable for a single channel application using any one of our range of wireless thermostats, N TA W, N ETA W or N CTA W.

Zone Controls - Wireless (continued)

Remote sensors



Description	Pcs/Pack	Code	Unit Price £
Remote sensor SRA-150, NTC 100K without casing 1.5m length cabling	1	28130662	10.54

To replace the internal sensor and provide remote sensing. For N TA W only. For N CTA W and N ETA W see remote sensors on page 52.

Power supply unit for N AR W receiving antenna used as a repeater



Description	Pcs/Pack	Code	Unit Price £
Power supply unit	1	U9310060	88.19

Only required when used remote from wiring centres. Compact electronic power supply unit which can be connected in fixed wiring installations to provide a 12V DC power supply to the receiving antenna. To improve the signalling from wireless thermostats to the wiring centre where greater distance or building construction might reduce signal strength. Input: 230VAC 50Hz Output: 12VDC, 0-30W Dimensions: 175mm h x 45mm w x 25mm d. For installation, wiring and commissioning please see our website www.emmeti.co.uk.

Zone Controls - Weather Compensating

RCE Weather compensating kit for heating and cooling



Description	Pcs/Pack	Code	Unit Price £
RCE weather compensator	1	28139070	340.40

The RCE is an electronic temperature controller that has three modes of operation; Weather Compensation, Fixed Point, and Modulating. It can be used for low temperature Underfloor Heating and cooling and high temperature radiator heating. Includes electronic control unit, remote mounting box, 2 sensors, probe holders and extension connector. The RCE can control 230V or 24V 0-10V mixing actuators.

Humidistat



Description	Pcs/Pack	Code	Unit Price £
Programmable Thermo/Humidistat	1	02018090	293.20

Programmable heating and cooling thermostat with summer/ winter changeover switch and built in humidity sensor. Designed for use with combined heating and cooling systems such as the RCE controller. Can be used to activate a dehumidifier. Battery powered with a large, LCD display.

Pocket for water sensor



Description	Pcs/Pack	Code	Unit Price £
1/4" M	1	28153220	46.49

For use where a surface mounting probe is not suitable for sensing water temperature.



Buyers Guide 2018

Zone Controls - Weather Compensating (continued)

Housing for external temperature sensor



Description	Pcs/Pack	Code	Unit Price £
External housing sensor	1	28139076	19.54

Dew sensor



Description	Pcs/Pack	Code	Unit Price £
Dew sensor	1	28139072	93.25

For use in cooling systems.

Converter for dew sensor



Description	Pcs/Pack	Code	Unit Price £
Converter unit	1	28139074	105.20

For use when installed as part of a large multi-dwelling cooling system. The converter will relay a condensation alarm to the centralised mixing station and RCE.

Transformer 230/24V 10 VA



Description	Pcs/Pack	Code	Unit Price £
230V/24V transformer	1	28139130	33.90

Please note 10 VA capacity when using with EWC-4, consideration for loading requirements of actuators is needed.

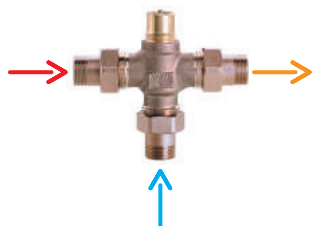
3-point actuator for TM3-R, M3V Control Groups, FMU3 Floor Mixing Unit, FCU Floor Control Unit and Firstbox



Description	Pcs/Pack	Code	Unit Price £
230V	1	28157210	190.50
24V 0-10V	1	28157220	256.10

Electronic actuator for use with weather compensating kit 28139070.

3-way mixing valve for weather compensating kit



Description	Pipe Union	Pcs/Pack	Code	Unit Price £
Kvs (m ³ /h)	Connection			
DN10 - 1.6	G 3/8" M	1	28130210	147.90
DN15 - 2.5	G 1/2" M	1	28130212	149.20
DN20 - 4	G 1/2" F	1	28130214	180.20
DN25 - 6.3	G 3/4" F	1	28130216	300.70
DN25 - 10	G 1" F	1	28130218	338.30
DN32 - 16	G 1 1/4" F	1	28130220	448.50
DN40 - 25	G 1 1/2" F	1	28130222	533.20

PN 16 class, body in bronze, spindle in steel and O-rings in EPDM. Complete with unions. These valves are intended for use with weather compensating kit 28139070 and actuators 28130206, 28130208 and 28130209 shown overleaf.

Zone Controls - Weather Compensating (continued)

Actuator for 3 way mixing valve



Description	Pcs/Pack	Code	Unit Price £
Electronic actuator	1	28130206	241.10

24V, 0 - 10V. 200N Force.
Suitable for above mixing valve 3/8", 1/2" and 3/4" only.

3 point actuator for 3-way mixing valve



Type	Pcs/Pack	Code	Unit Price £
Electronic actuator	1	28130208	262.40

230V, 300N Force. Suitable for above mixing valve 1", 1 1/4" and 1 1/2" only.

Actuator for 3 way mixing valve



Description	Pcs/Pack	Code	Unit Price £
Electronic actuator	1	28130209	428.00

24V, 0 - 10V. 300N Force.
Suitable for above mixing valve 1", 1 1/4" and 1 1/2" only.

Contact thermostat



Description	Pcs/Pack	Code	Unit Price £
0-60 °C	1	02012038	15.49
30-90°C	1	02012040	15.49

Connect by wrapping the steel spring wire (provided) around the external surface of pipe. Designed for use with weather compensating kit 28139070 where overheat protection is required.

Thermometer pocket, connection M 1/2"



Description	Pcs/Pack	Code	Unit Price £
Ø 7 L 50 mm	1	00510682	5.73



Buyers Guide 2018

Manifold Accessories

Backless on-wall manifold cabinet for heating manifolds



Description	Pcs/Pack	Code	Unit Price £
L400 (380 x 640 x 135)	1	U9282600	67.87
L 530 (510 x 640 x 135)	1	U9282620	77.42
L680 (660 x 640 x 135)	1	U9282630	90.12
L830 (810 x 640 x 135)	1	U9282640	102.00
L1030 (1010 x 640 x 135)	1	U9282650	115.90
L1130 (1110 x 640 x 135)	1	U9282660	119.00

A range of backless metal cabinets designed to be fitted once the manifold has been fitted, tested, commissioned and decoration has been completed. Please see cabinet sizing technical guide at www.emmeti.co.uk for correct selection.

Manifold cabinet in galvanized steel with white enamelled door.



Description	Pcs/Pack	Code	Unit Price £
L500MM (560 x 600 x 80-120)	1	01301300	99.18
L700MM (760 x 600 x 80-120)	1	01301304	125.00
L850MM (910 x 600 x 80-120)	1	01301306	154.00
L1000MM (1060 x 600 x 80-120)	1	01301308	167.00
L1200MM (1260 x 600 x 80-120)	1	01301310	192.70

Door to fit flush with finished surface. Box for manifolds, flush fitting with adjustable depth. Supplied complete with quarter turn catch, feet adjustable for height from 0 to 100mm and cover for protection during site work. Key lock can be purchased separately see code 90065020.

Key lock for in wall manifold cabinets.



Description	Pcs/Pack	Code	Unit Price £
Key lock	1	90065020	25.19

Termobox - white plastic universal manifold box



Description	Pcs/Pack	Code	Unit Price £
310 x 310 x 90	1	01302090	18.76
460 x 310 x 90	1	01302100	23.11
610 x 310 x 90	1	01302110	29.62

Integrated into the back panel of the box are two slider rails, to support an upper and lower manifold when used with slider rail brackets.

Suitable for use with hot and cold plumbing manifolds, as well as heating manifolds. Knock out panels allow for pipe distribution on all sides.

For manifold sizing information, please see our website www.emmeti.co.uk

1" end T-piece nut and O-ring



Description	Pcs/Pack	Code	Unit Price £
1" M x 1/2" F BSP x 1/2" F BSP	1	01306298	14.25

With 1/2" female connections for manual or automatic air vent, drain/fill valves, pressure gauges or temperature/pressure gauges. The 1" M connection to the manifold is complete with an O-ring sealing face and locking nut for easy orientation.

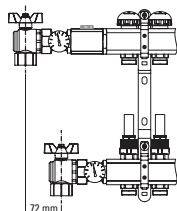
Hose tail for filling and draining



Description	Pcs/Pack	Code	Unit Price £
3/4" loose nut x 3/8" barb	1	09020012	1.37

Manifold Accessories (continued)

Extension piece for Topway manifolds



Description	Pcs/Pack	Code	Unit Price £
M-F 1" c/w 1/2" blanked port	1	01306254	20.95
M-F 1 1/4" no port	1	01306256	23.91

Used to offset either the flow or return angled ball valves on the left side of a manifold. It allows you to run pipe vertically and parallel.

Blanking plugs, male and female, nickel-plated



Certificate No.
1507073



Description	Pcs/Pack	Code	Unit Price £
1/2" M with O-ring seal	1	90004930	1.42
3/4" M with O-ring seal	1	90004820	2.06
1" M with O-ring seal	1	90004830	2.77
1 1/4" M with O-ring seal	1	90005070	4.33
3/4" F (*)	1	01291536	1.85
1" F (*)	1	01291538	2.93
24x19 F with O-ring seal (Manifold outlet cap)	1	01321460	1.62

(*) Use the appropriate washer (90008200 or 90008210) shown below when ordering these items.

Female washers



Certificate No.
1507073



Description	Pcs/Pack	Code	Unit Price £
3/4" F	1	90008200	0.26
1" F	1	90008210	0.21

Reducer fittings, nickel-plated



Certificate No.
1507073



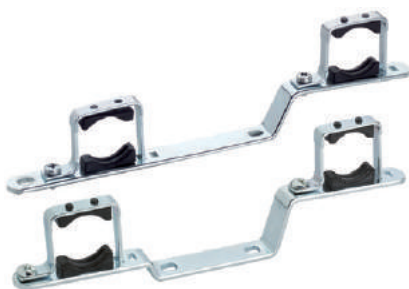
Description	Pcs/Pack	Code	Unit Price £
3/4" M x 3/8" F	1	90005050	2.01
3/4" M x 1/2" F	1	90004840	2.22
1" M x 3/8" F	1	90005060	3.63
1" M x 1/2" F	1	90004850	3.63
1" M x 3/4" F	1	90006870	3.06
1 1/4" M x 1/2" F	1	90005080	6.50
1 1/4" M x 1" F	1	90005084	4.87
1 1/2" M x 1 1/4" F with O-ring seal and gasket	1	01306464	4.08

Metal brackets for Topway manifolds, pairs of single brackets



Description	Pcs/Pack	Code	Pair Price £
3/4"	Pair	90011500	7.78
1"	Pair	90011510	7.85
1 1/4"	Pair	90011520	7.89

Metal brackets for Topway manifolds, pairs of double brackets



Description	Centres	Pcs/Pack	Code	Pair Price £
3/4"	200mm	Pair	90011530	12.91
1"	200mm	Pair	90011540	13.02
1 1/4"	200mm	Pair	90011550	13.12
3/4"	210mm	Pair	90011560	12.37
1"	210mm	Pair	90011570	12.48
1 1/4"	210mm	Pair	90011580	12.60
T2 Topway Plus Manifolds				
1"	210mm	Pair	01306826	12.77

For use when fitting a manifold to either a 200mm or 210mm centre control group.



Buyers Guide 2018

Manifold Accessories (continued)

Insulating shells for Topway manifolds



Description	Pcs/Pack	Code	Unit Price £
1 1/4"	1	01306502	29.32

In extruded polyethylene. 12 branch holes at 50mm intervals. To be cut to size according to the number of ways of the manifold to be insulated.

Copper adaptor; brass chrome-plated



Certificate No.
1607050



Description	Pcs/Pack	Code	Unit Price £
22mm copper x 3/4" M BSP	1	U9240020	4.19
22mm copper x 1" M BSP	1	U9240018	5.56

Straight male-male adaptors, nickel-plated



Certificate No.
1507073



Description	Pcs/Pack	Code	Unit Price £
1" M x 1" M with O-ring seal	1	90006700	5.27
1 1/4" M x 1 1/4" M with O-ring seal	1	90006910	8.48

For bridging between Topway manifolds.

Straight male-female adaptor



Description	Pcs/Pack	Code	Pair Price £
1" M x 1" F flat union coupling and gasket	Pair	01306460	19.92

These are sold in pairs.

Straight swivel adaptors, nickel-plated



Certificate No.
1507073



Description	Pcs/Pack	Code	Unit Price £
1" M x 1" M	1	01306426	12.09
1 1/4" M x 1 1/4" M	1	01306430	19.41
1 1/4" M x 1" M reducer	1	01306432	16.56
3/4" M x 3/4" M	1	01306434	11.44

Allows orientation of product during installation.

Straight male - female adaptor



Description	Pcs/Pack	Code	Unit Price £
1" M BSP x 1" F Union Connector	1	90055960	16.31

Two are required when tightening swivel adaptors, for use with stainless steel manifolds.

Spanner for straight swivel adaptors 37mm - 48mm AF



Description	Pcs/Pack	Code	Unit Price £
37 - 48mm	1	01306044	5.90

Two are required when tightening swivel adaptors.

Male tee union with female pipe union for temperature gauge



Description	Pcs/Pack	Code	Unit Price £
FU-M 24x19	1	90011760	9.03
FU-M 3/4" Eurocone	1	90011770	10.05

The temperature gauge below is designed to be fitted to the flow and return manifold takeoff connections, allowing in-line monitoring of circuit temperatures.

Manifold Accessories (continued)**27mm-30mm AF spanner for tightening 24x19 Monoblocco connectors**

Description	Pcs/Pack	Code	Unit Price £
27-30mm	1	01306058	73.23

Design to easily tighten the takeoff connections in the 36mm interaxial space provided. The 30mm jaw is designed for use with larger Monoblocco connectors.

27mm AF spanner for tightening 24x19 Monoblocco connectors

Description	Pcs/Pack	Code	Unit Price £
27mm	1	01306054	7.63

For Monoblocco connectors up to dia 18mm only. Shoulderless spanner for manifolds with 36mm interaxials.

38mm AF spanner for 32x1.5mm Monoblocco connectors

Description	Pcs/Pack	Code	Unit Price £
38mm	1	28171002	115.50

To be used for the tightening of Monoblocco connectors 32x1.5 on the takeoff connections of Topway manifolds with 50mm connector spacing.

Differential pressure by-pass kit with right angle Progress ball valves

Description	Pcs/Pack	Code	Unit Price £
1"	1	01306186	143.40

Differential pressure by-pass valve from 0.2 to 0.5 bar.
For connection to the left side of a manifold, connecting to flow and return rails. By-passed flow direction is from flow (red handle) to return (blue handle).

Differential pressure by-pass kit

Description	Pcs/Pack	Code	Unit Price £
1"	1	01306174	47.41
1¼"	1	01306176	54.03

For Topway pre-assembled manifolds.
For connection to the right-hand side of a manifold, connecting to flow and return rails. For this configuration, the flow is on the bottom connection and the return on the top connection. It can easily be reversed on site.
Differential pressure by-pass valve from 0.2 to 0.5 bar.



Buyers Guide 2018

Manifold Accessories (continued)

Pressure gauge with radial connection



Description	Pressure	Pcs/Pack	Code	Unit Price £
¼" x 50mm	4 bar	1	00612452	6.27
¼" x 50mm	6 bar	1	00616024	6.27
T2 Topway Plus				
¼" x 50mm	6 bar	1	90063890	7.25
¼" x 63mm	2.5 bar	1	00612003	6.83
¼" x 63mm	4 bar	1	00612004	6.83
¼" x 63mm	6 bar	1	00612006	6.83
¼" x 63mm	10 bar	1	00612010	6.83
¼" x 63mm	16 bar	1	00612016	6.83
¼" x 63mm	25 bar	1	00612025	6.83
⅜" x 80mm	4 bar	1	00614004	13.50
⅜" x 80mm	6 bar	1	00614006	13.50
⅜" x 80mm	10 bar	1	00614010	13.50
⅜" x 80mm	16 bar	1	00614016	13.50
⅜" x 80mm	25 bar	1	00614025	13.50

Pressure gauge with axial connection



Description	Pressure	Pcs/Pack	Code	Unit Price £
¼" x 50mm	4 bar	1	00616020	6.27
¼" x 50mm	10 bar	1	00612442	6.27
¼" x 63mm	4 bar	1	00616004	7.08
¼" x 63mm	6 bar	1	00616006	7.08
¼" x 63mm	10 bar	1	00616010	7.08

Casing in ABS plastic. For use with 01306458 tee piece.

Combined temperature and pressure gauge



Description	Pcs/Pack	Code	Unit Price £
¼" M c/w ½" M check valve x 80mm			
Axial connection	1	00600012	18.36
Radial connection	1	00602012	26.04

Max: Pressure 4 bar, temperature 120 °C

Tee with pipe union for pressure gauges



Description	Pcs/Pack	Code	Unit Price £
½" M-F x ¼"	1	01306458	12.05

Designed to be fitted to a ½" manifold tapping, it has a pre-assembled ½" x ¼" reducer to provide connection of a pressure gauge, complete with gauge sealing gasket.

The ½" M BSP connection to manifold includes an O-ring seal and locking ring, for orientation.

The ½" F BSP connection allows a manual 00410021 (page 64) or automatic air vent 00400004 (page 64) to be connected

Topway circuit indicator pack with 12 red bands



Description	Pcs/Pack	Code	Pack Price £
1" - 1¼"	1	01306320	10.11

With labels for identifying circuits. To lock Topway flow meter.

Manifold Spares

Topway lockshield with incorporated flow meter 0-4 l/min



Description	Pcs/Pack	Code	Unit Price £
T2 Topway Manifolds			
0-4 l/min, ½" MBSP metal threaded	1	01306302	8.23
T2 Topway Plus Manifolds			
0-4 l/min, ½" MBSP metal threaded	1	01306810	8.23

Double regulating, allows for isolation of circuits as well as visual flow regulation. This does not include Topway lockshield / flowmeter seat. To order a lockshield / flowmeter seat refer to code 01306312 or 01306316 for T2 Topway or code 01306812 for T2 Topway Plus.

Topway lockshield



Description	Pcs/Pack	Code	Unit Price £
½" MBSP metal threaded	1	01306300	5.82

Replacement manifold lockshield assembly. Can be used to change flowmeters to lockshields.

Topway flow meter only



Description	Pcs/Pack	Code	Unit Price £
0-2.5 l/min	1	01306828	5.00
0-4 l/min	1	01306830	4.56
0-6 l/min	1	01306832	4.60

For direct replacement of dirty flowmeters or to upgrade from a lockshield kit. Offers the same functionality as a lockshield with the additional feature of a visual flow rate. Code 01306830 0-4 l/min is a direct replacement for Topway Type 2 standard supply.

Topway lockshield / flow meter seat



Description	Connection	Pcs/Pack	Code	Unit Price £
T2 Topway Manifolds				
For 1" manifolds	½" MBSP - 24x19	1	01306312	3.52
For 1¼" manifolds	½" MBSP - 24x19	1	01306316	4.10
T2 Topway Plus Manifolds				
For 1" manifolds	½" MBSP - 24x19	1	01306812	4.44

Topway thermostatic replacement kit



Description	Connection	Pcs/Pack	Code	Unit Price £
T2 Topway Manifolds				
For 1" manifolds	½" MBSP - 24x19	1	01306114	7.40
For 1¼" manifolds	½" MBSP - 24x19	1	01306118	7.85
T2 Topway Plus Manifolds				
For 1" manifolds	½" MBSP - 24x19	1	01306816	7.31

Topway blue cap for electrothermic valves



Description	Pcs/Pack	Code	Unit Price £
Electrothermic valve cap	1	90004470	0.25

NOTE: This should only be used temporarily until the electrothermic head is installed. For permanent capping, use code 01306112 shown overleaf.



Buyers Guide 2018

Manifold Spares (continued)

Topway hand wheel for manual control



Description	Pcs/Pack	Code	Unit Price £
Manual electrothermic valve head	1	01306112	1.61

For use where no electrothermic head is to be used, but manual control is required.

Topway red cap for lockshield valves



Description	Pcs/Pack	Code	Unit Price £
Replacement lockshield cap	1	90023360	0.36

Tecno-Varia auto air vent



Description	Pcs/Pack	Code	Unit Price £
T2 Topway Manifolds 1/2"	1	00400004	6.24
T2 Topway Plus Manifolds 1/2"	1	00400020	7.36

Combines manual and automatic venting functions.

Manual Bleed Valve



Description	Pcs/Pack	Code	Unit Price £
1/2"	1	00410021	1.08

Manual bleed valve.

Drain/fill valve, nickel-plated



Description	Pcs/Pack	Code	Unit Price £
T2 Topway Manifolds 1/2"	1	90011790	9.78
T2 Topway Plus Manifolds 1/2"	1	01306824	12.18

1/2" M connection with 3/4" hose connection. Allows easy pipe connection with 360° orientation.

Temperature gauge Ø 40



Description	Pcs/Pack	Code	Unit Price £
0-80 °C	1	90006860	5.35

For installation into a 1/2" manifold tapping, use 1/2" temperature gauge pocket, code 90026530 and O-ring pocket seal code 90047400.

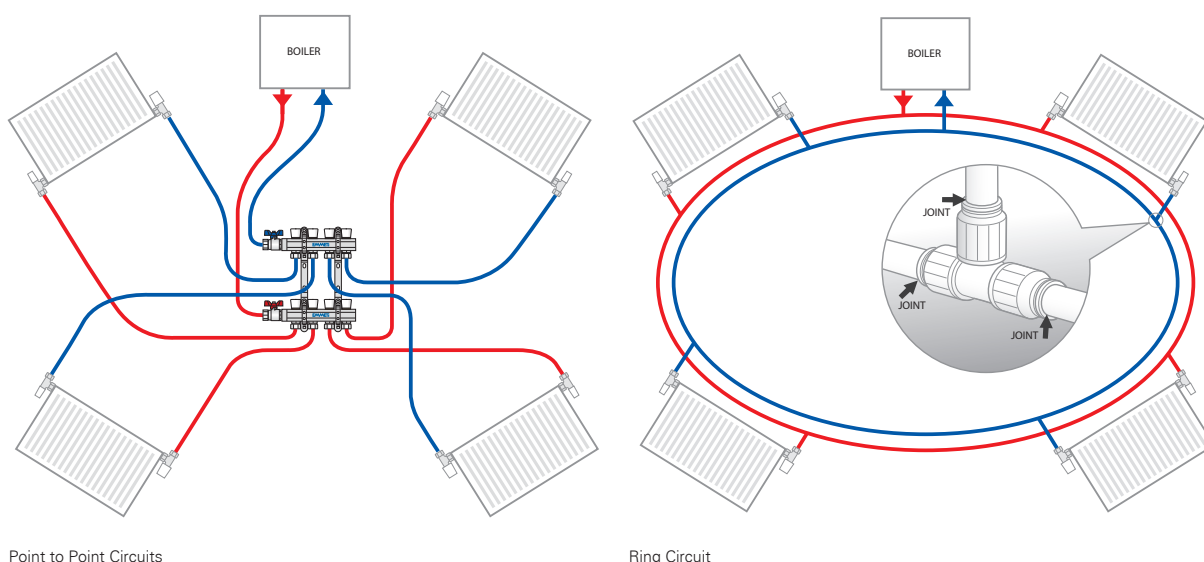


Wall Hung Radiator Systems

Wall Hung Radiator Manifold Overview

Manifold systems are widely used with underfloor heating and this same principle can be applied to wall hung radiators. By using an Emmeti manifold system in a point to point configuration you can greatly reduce the number of joints in your system, speeding up installation time and vastly reducing the chances of a leak.

Conventional heating system design relies on a large bore 22-28mm flow and return (commonly in copper) installed in a ring circuit with smaller bore 10-16mm feeds to each radiator to ensure even flow is achieved. This type of system can be time consuming and disruptive to install; has high material costs and can be difficult to balance and control correctly. By using a manifold system, the large flow and return pipework is minimised and allows smaller bore, more flexible pipework to be used, making it ideal for new build construction as well as refurbishment, in both domestic and commercial projects.



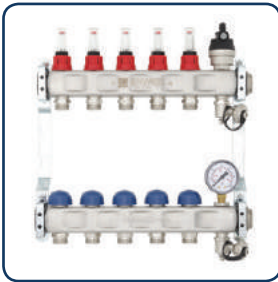
The examples above show how the use of a manifold eliminates all concealed intermediate joints (that could potentially leak) against the conventional method of installation. The manifolds shown also allows for isolation of each radiator in the event of any repair work or maintenance.

The table to the right shows the principles of point to point. There is a huge difference in the number of joints between traditional branch and point to point systems (up to 70%), saving installation time and vastly reducing the potential for a leak. The reduction in fittings along with the speed of installation will offset any additional costs incurred when purchasing the manifold and additional pipe. In reality the number of joints and fittings for the ring circuit would be much higher than these figures (especially if installed in copper) when accounting for additional couplings and elbows, whereas point to point plumbing is installed in continuous circuits with no intermediate joints.

	Number of fittings (Tees & Elbows)	Number of joints
Point to point example	0	20
Ring example*	10	32

Taking this approach a step further by using either one of our Type 1 range of manifolds or Type 2 Topway plus manifolds, which enables independent time and/or temperature control of each individual room or zone in the building. This allows the home owner or building occupier to tailor their heat to suit their lifestyles. This is proven to be a more accurate method for maintaining a comfortable temperature within a space as each thermostat is mounted in an optimum position rather than TRVs (Thermostatic Radiator Valves) which are fitted directly to the radiator. The use of a thermostat per room/zone makes it much easier to create ideal comfort levels and prevents the unnecessary heating of unoccupied rooms improving the energy efficiency of the building by up to 40%. (Research carried out by TACMA (the BEAMA Controls Group) at Salford University).

Manifolds



The Topway Plus Type 2 manifold is a pre-assembled stainless-steel manifold for use with underfloor and wall hung radiator systems available with between 2 and 12 ways. Complete with flowmeters, a 6-bar pressure gauge and Tecno-Varia automatic air vent as standard.

Emmeti also offer a range of distribution brass manifolds which are designed for wall hung radiator systems. Available with individual outlet isolation in 3/4", 1" and 1 1/4" sizes between 2 and 12 ways.

Ball Valves



A range of straight and angled ball valves, available in light or heavy pattern, boxed as pairs with blue and red handles for easy identification of flow and return connection.

Pipe and Accessories



Emmeti offer a wide range of heating pipe, connectors and pipe accessories to suit a variety of installations.

Gerpex PE-X-AL-PE-X, PE-Xa, PE-Xc pipe available in a range of diameters and coil sizes.

Emmeti Monoblocco connectors are patented, WRAS and BBA approved single piece adaptors available to suit pipe sizes 10 - 20mm and pipe types (PB, PE-Xa, PE-RT, MLCP, & copper). Pipe preparation and cutting tools available for all sizes.

Radiator Valves



A range of Emmeti Radiator valves for use when temperature control is required at the radiator. The 24x 19 thread allows connection to a wide range of pipe sizes by using an Emmeti Monoblocco connector.



Buyers Guide 2018

Zone Controls



A range of wired and wireless zone controls to suit all heating system requirements including 230V/24V/Wireless wiring centres, 230V/24V/Wireless room thermostats and 230V/24V timeswitches. Also available are a range of electrothermic actuators, over temperature protection devices, remote sensors and weather compensating controls.

Manifold Accessories



A range of manifold accessories designed to complement the manifold range including manifold cabinets, mounting brackets, connectors, pressure gauges and ancillary items.

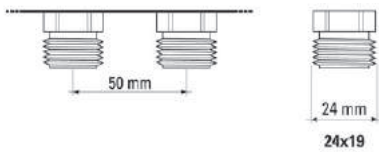
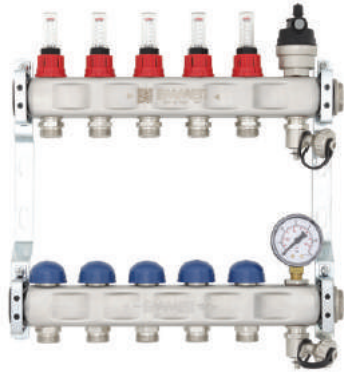
Manifold Spares



A range of heating manifold spares.

Manifolds

Type 2 Topway Plus Stainless Steel FM Pre-Assembled Heating Manifold

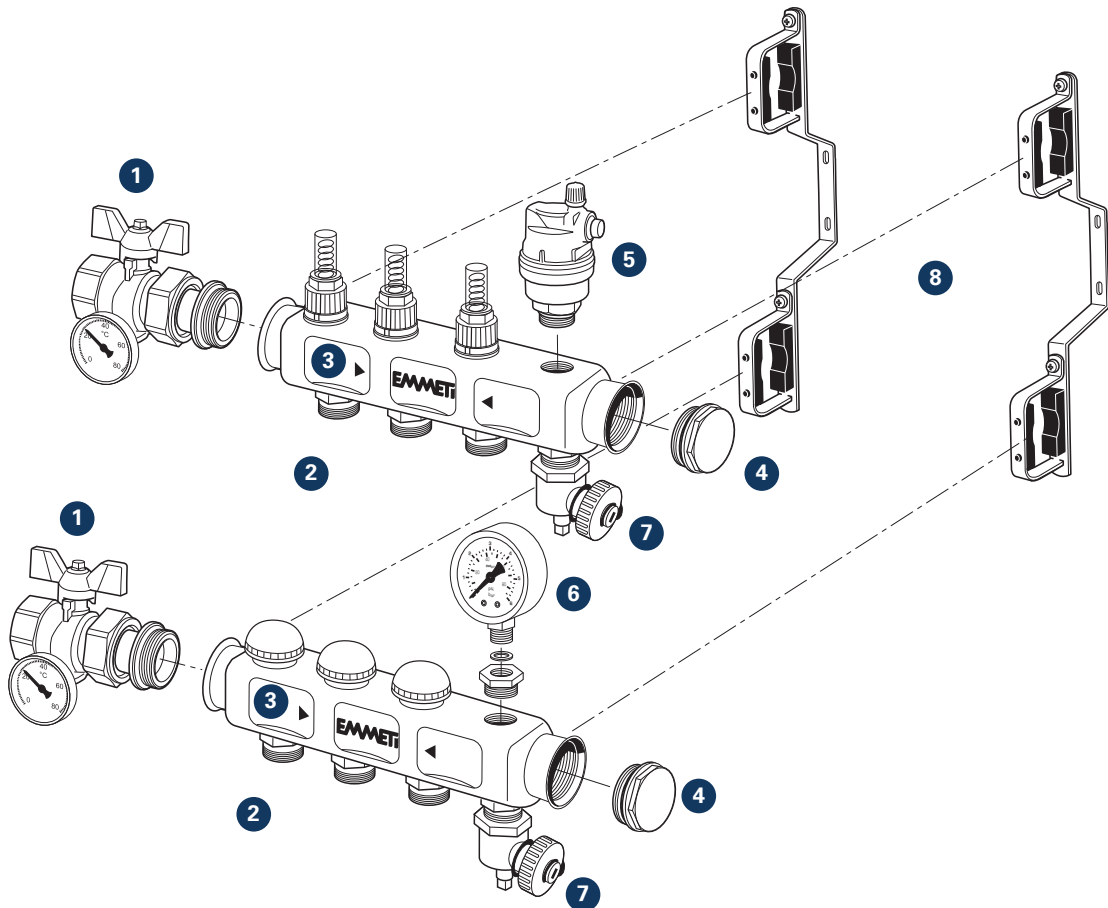


Description	Ways	Pcs/Pack	Code	Unit Price £
1"	2	1	01282260	139.00
1"	3	1	01282262	160.60
1"	4	1	01282264	183.00
1"	5	1	01282266	205.90
1"	6	1	01282268	228.40
1"	7	1	01282270	251.50
1"	8	1	01282272	274.40
1"	9	1	01282274	297.20
1"	10	1	01282276	319.60
1"	11	1	01282278	343.30
1"	12	1	01282280	365.70

Flow rail has a double regulating red sleeved 0 - 4 l/min flow meter per circuit that allows individual circuit flow regulation and isolation with visual flow indication. Return rail has a blue capped integrated electrothermic body to accommodate an electrothermic actuator per circuit.

Pre-assembled manifold includes 2 x drain off/fill valves, automatic air vents, 6-bar pressure gauge and 2 x blanking plugs. Pre-mounted onto a double offset bracket at 210mm centres.

For Pipe, Emmeti Monoblocco connectors and ball valves please refer to the relevant pages within this section. These must be ordered separately.

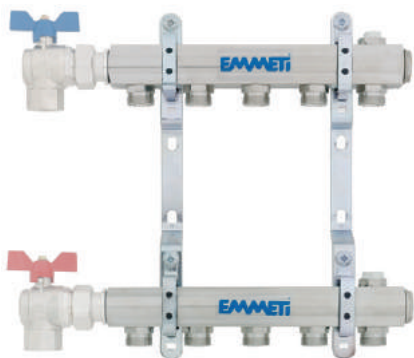


- 1 Ball Valves**
Code: 01306710 1" with thermometer / 01306708 1" without thermometer
- 2 Monoblocco Connectors**
A range of Monoblocco connectors are available to suit pipe sizes 10mm – 20mm, and different pipe types PB, PE-X, PE-RT, MLCP and Copper. For the complete range please refer to the relevant pages within this section or visit our website www.emmeti.co.uk
- 3 Manifold**
Code: 01282260 (2 Way) to 01282280 (12 Way) 1"
- 4 Blanking Plug**
Code: 90004630 1" M with O-ring seal
- 5 Automatic Air Vent**
Code: 00400020 Tecno-Varia auto air vent 1/2"
- 6 Pressure Gauge**
Code: 90063890
- 7 Drain Fill Valve**
Code: 01306824 1/2" with 3/4" hose connection
- 8 Double Metal Brackets**
Code: 01306826 1" 210mm



Manifolds (continued)

Type 1 Topway WHR pre-assembled manifold



Description	Ways	Pcs/Pack	Code	Unit Price £
3/4"	2	1	01299670	73.61
3/4"	3	1	01299672	86.08
3/4"	4	1	01299674	99.33
3/4"	5	1	01299676	117.30
3/4"	6	1	01299678	130.40
3/4"	7	1	01299680	148.10
3/4"	8	1	01299682	165.00
3/4"	9	1	01299684	178.60
3/4"	10	1	01299686	195.80
3/4"	11	1	01299688	216.50
3/4"	12	1	01299690	230.10

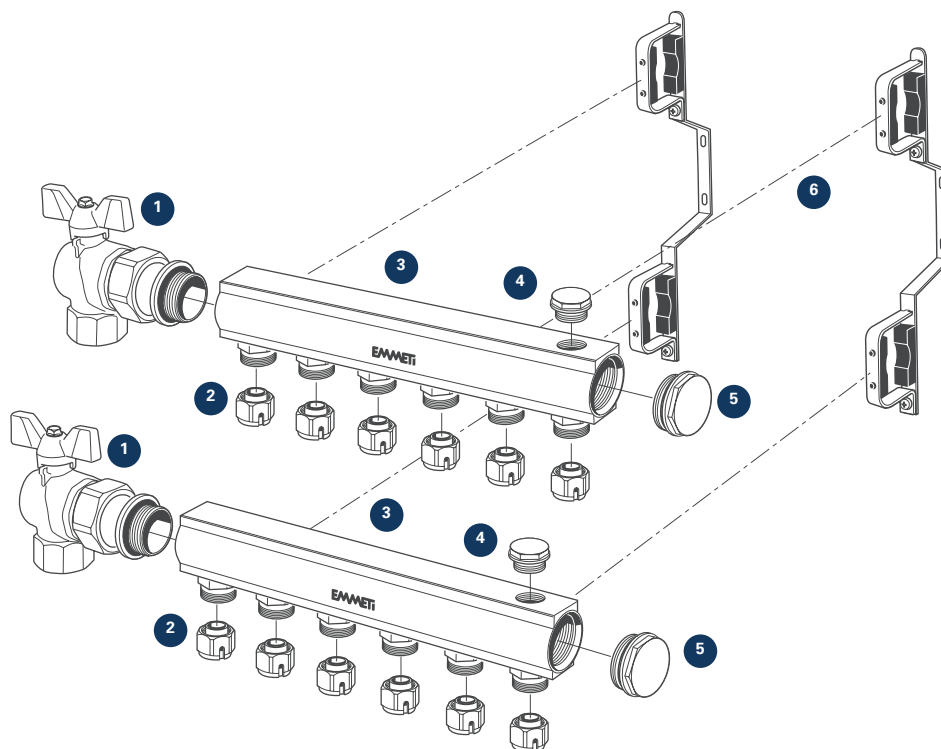
Note: The product does not include the ball valves pictured here.

For MLCP (MultiLayer Composite Pipe) and press fittings to accompany this range please see section 1 Gerpex.

Includes metal brackets, 2 x 3/4" blanking plugs and 2 x 1/2" manual air vents.

For Pipe, Emmeti Monoblocco connectors and ball valves please refer to the relevant pages within this section. These must be ordered separately.

Type 1 Topway WHR pre-assembled manifold



1 Ball Valves

A range of 1" Ball Valves are available. For the complete range please refer to system components or visit our website www.emmeti.co.uk

2 Monoblocco Connectors

A range of Monoblocco connectors are available to suit pipe sizes 10mm - 20mm, and different pipe types PB, PE-X, PE-RT, MLCP and Copper. For the complete range please refer to the relevant pages within this section or visit our website www.emmeti.co.uk

3 Manifold

Code 01299670 2-way to 01299690 12-way 3/4"

4 Blanking Plug

Code 90004930 1/2" M with O-ring seal

Optional:

Code 00400004 Tecno-Varia auto air vent 1/2"

Code 00410021 Bleed Valve and Manual air vent 1/2"

5 Blanking Plug

Code 90004820 3/4" M with O-ring seal

6 Metal Brackets (210mm centres)

Code 90011560 3/4" Supplied in pairs

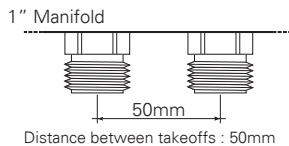
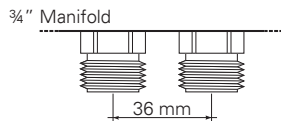


Manifolds (continued)

Type 1 TopSan manifold with isolating taps



Certificate No. 1507073



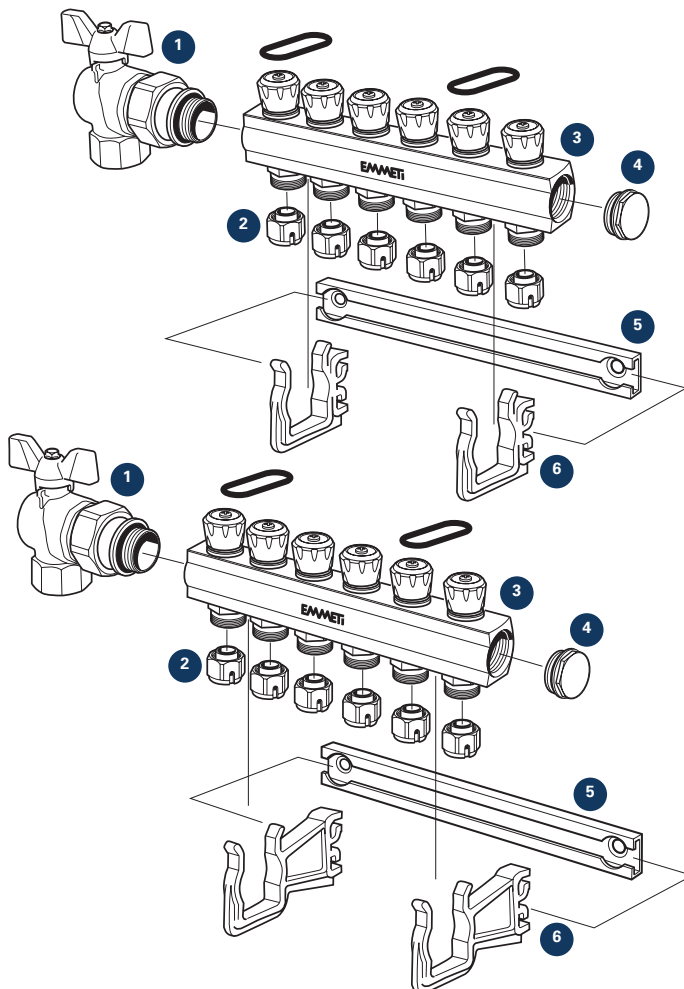
Description	Ways	Pcs/Pack	Code	Unit Price £
3/4"	2	1	01282050	31.03
3/4"	3	1	01282052	38.40
3/4"	4	1	01282054	46.22
3/4"	5	1	01282056	53.60
3/4"	6	1	01282058	60.94
3/4"	7	1	01282060	69.93
3/4"	8	1	01282062	80.98
3/4"	9	1	01282064	88.22
3/4"	10	1	01282066	100.50
3/4"	11	1	01282068	107.70
3/4"	12	1	01282070	114.90
1"	4	1	01282084	54.17
1"	5	1	01282086	63.74
1"	6	1	01282088	73.70

For Copper, MultiLayer, PEX, PP, PB pipe.

Please order two rails, one rail for hot and one for cold supply. Separate blue and red outlet identification labels are shipped with each order. These labels are applied by the installer on site. For 36mm interaxial spacing a 27mm spanner is required, code: 01306058 or 01306054.

For Pipe, Emmeti Monoblocco connectors, plastic or metal mounting brackets, blanking plugs and ball valves please refer to the relevant pages within this section. These must be ordered separately.

Type 1 TopSan manifold assembly



- Ball Valves**
A range of 3/4" and 1" Ball Valves are available. For the complete range please refer to system components or visit our website www.emmeti.co.uk
- Monoblocco Connectors**
A range of Monoblocco connectors are available to suit pipe sizes 10mm - 20mm, and different pipe types PB, PE-X, PE-RT, MLCP and Copper. For the complete range please refer to the relevant pages within this section or visit our website www.emmeti.co.uk
- Manifold**
Code 01282050 (2way) to 012822070 (12 way) 3/4"
Code 01282084 (4 way) to 01282088 (6 way) 1"
- Blanking Plug**
Code 90004820 3/4" M with O-ring seal
Code 90004830 1" M with O-ring seal
- Aluminum Slider Rail**
Order two per manifold or one 400mm slider rail as this can be snapped into two 200mm lengths by hand.
Code 01306400 400mm or
Code 01306398 200mm.
- Brackets**
Code 01302120 3/4" Plastic Bracket Supports
Code 01302130 1" Plastic Bracket Supports
Sold in boxes of 10 pairs.

Additional Bracket Options

Single Metal Brackets

(Sold in pairs)
Code 90011500 - 3/4"
Code 90011510 - 1"

Double Metal Brackets

(Sold in pairs)
Code 90011530 - 3/4" 200mm centres
Code 90011540 1" 200mm centres

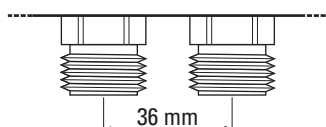


Manifolds (continued)

Type 1 Topway 3/4" distribution manifold



Certificate No.
1507073



Distance between takeoffs : 36mm

Description	Ways	Pcs/Pack	Code	Unit Price £
3/4"	2	1	01293260	17.87
3/4"	3	1	01293262	23.89
3/4"	4	1	01293264	29.86
3/4"	5	1	01293266	36.18
3/4"	6	1	01293268	42.10
3/4"	7	1	01293270	48.07
3/4"	8	1	01293272	54.44
3/4"	9	1	01293274	60.25
3/4"	10	1	01293276	70.88
3/4"	11	1	01293278	77.04
3/4"	12	1	01293280	82.83

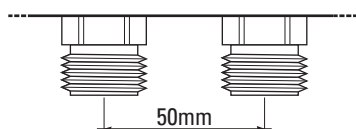
A distribution only manifold in nickel plated brass. 3/4" F connection at each end with 24x19 outlet connection. 1/2" F port for connection of a manual or automatic air vent if required.

For Pipe, Emmeti Monoblocco connectors, plastic or metal mounting brackets, blanking plugs and ball valves please refer to the relevant pages within this section. These must be ordered separately.

Type 1 Topway 3/4", 1" and 1 1/4" distribution manifold



Certificate No.
1507073



Distance between takeoffs : 50mm

Description	Ways	Pcs/Pack	Code	Unit Price £
3/4"	2	1	01293290	20.11
3/4"	3	1	01293292	27.39
3/4"	4	1	01293294	35.20
3/4"	5	1	01293296	43.27
3/4"	6	1	01293298	50.65
3/4"	7	1	01293300	58.16
3/4"	8	1	01293302	66.13
3/4"	9	1	01293304	73.61
3/4"	10	1	01293306	85.21
3/4"	11	1	01293308	93.51
3/4"	12	1	01293310	101.00
1"	2	1	01293830	22.34
1"	3	1	01293832	31.13
1"	4	1	01293834	39.19
1"	5	1	01293836	47.99
1"	6	1	01293838	56.03
1"	7	1	01293840	64.24
1"	8	1	01293842	73.17
1"	9	1	01293844	81.28
1"	10	1	01293846	93.40
1"	11	1	01293848	102.40
1"	12	1	01293850	111.00
1 1/4"	4	1	01294634	45.94
1 1/4"	5	1	01294636	56.42
1 1/4"	6	1	01294638	65.69
1 1/4"	7	1	01294640	74.87
1 1/4"	8	1	01294642	85.40
1 1/4"	9	1	01294644	94.72
1 1/4"	10	1	01294646	107.30
1 1/4"	11	1	01294648	119.20
1 1/4"	12	1	01294650	128.30

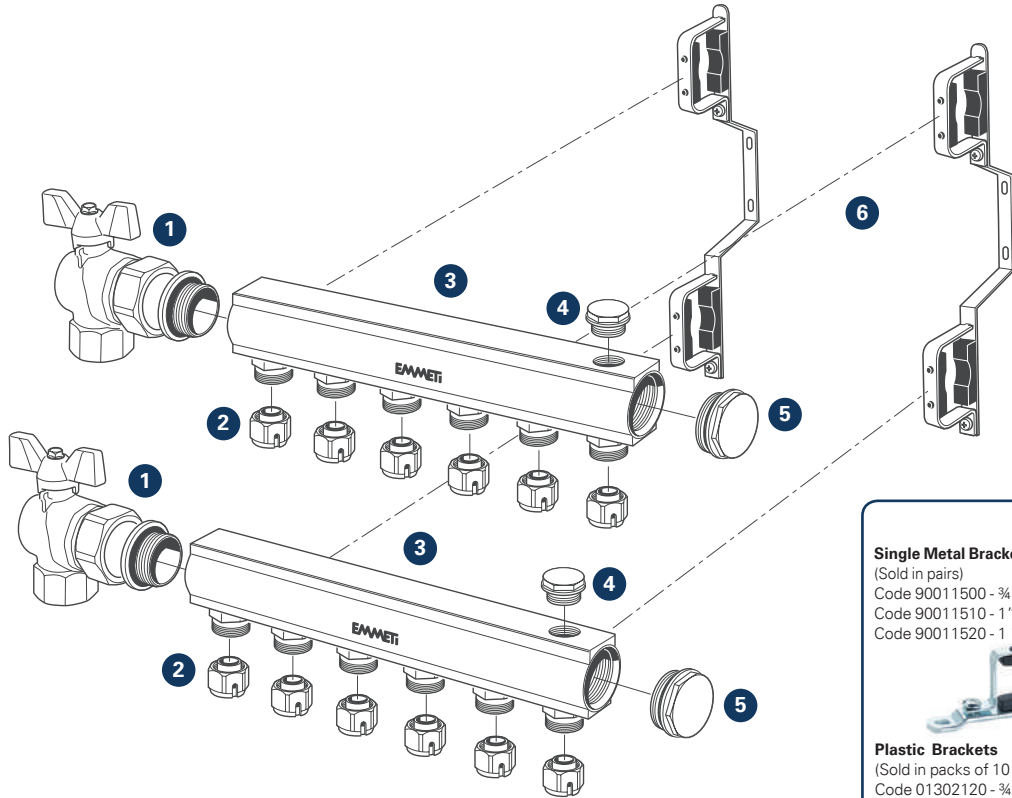
A distribution only manifold in nickel plated brass. 3/4" or 1" F connection at each end with 24x19 outlet connection. 1/2" F port for connection of a manual or automatic air vent if required.

For Pipe, Emmeti Monoblocco connectors, plastic or metal mounting brackets, blanking plugs and ball valves please refer to the relevant pages within this section. These must be ordered separately.



Manifolds (continued)

Type 1 Topway Single Bar manifold assembly



1 Ball Valves

A range of 3/4", 1" and 1 1/4" Ball Valves are available. For the complete range please refer to section system components or visit our website www.emmeti.co.uk

2 Monoblocco Connectors

A range of Monoblocco connectors are available to suit pipe sizes 10mm - 20mm, and different pipe types PB, PE-Xa, PE-RT, MLCP and Copper. For the complete range please refer to the relevant pages within this section or visit our website www.emmeti.co.uk

3 Manifold

Code 01293260 2-way to 01293280 12-way 3/4" 36mm ctrs.
Code 01293290 2-way to 01293310 12-way 3/4" 50mm ctrs.
Code 01293830 2-way to 01293850 12-way 1" 50mm ctrs.
Code 01294634 4-way to 01294650 12-way 1 1/4" 50mm ctrs.
Order 2 per set

4 Blanking Plug

Code 90004930
1/2" M with O-ring seal

5 Blanking Plug

Code 90004820
3/4" M with O-ring seal
Code 90004830
1" M with O-ring seal
Code 90005070
1 1/4" M with O-ring seal

6 Double Metal Brackets 210mm centres

Code 90011560 3/4"
Code 90011570 1"
Code 90011580 1 1/4"
supplied in pairs

Single Metal Brackets

(Sold in pairs)
Code 90011500 - 3/4"
Code 90011510 - 1"
Code 90011520 - 1 1/4"



Plastic Brackets

(Sold in packs of 10 pairs)
Code 01302120 - 3/4"
Code 01302130 - 1"



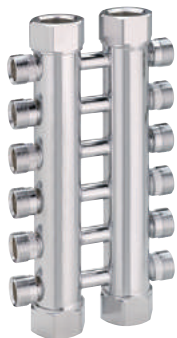
Aluminum Slider Rail

Order two per manifold or one 400mm slider rail as this can be snapped into two 200mm lengths by hand.
Code 01306400 400mm or
Code 01306398 200mm.



Manifolds (continued)

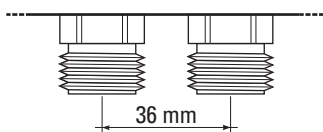
Type 1 Mixer co-planar manifold



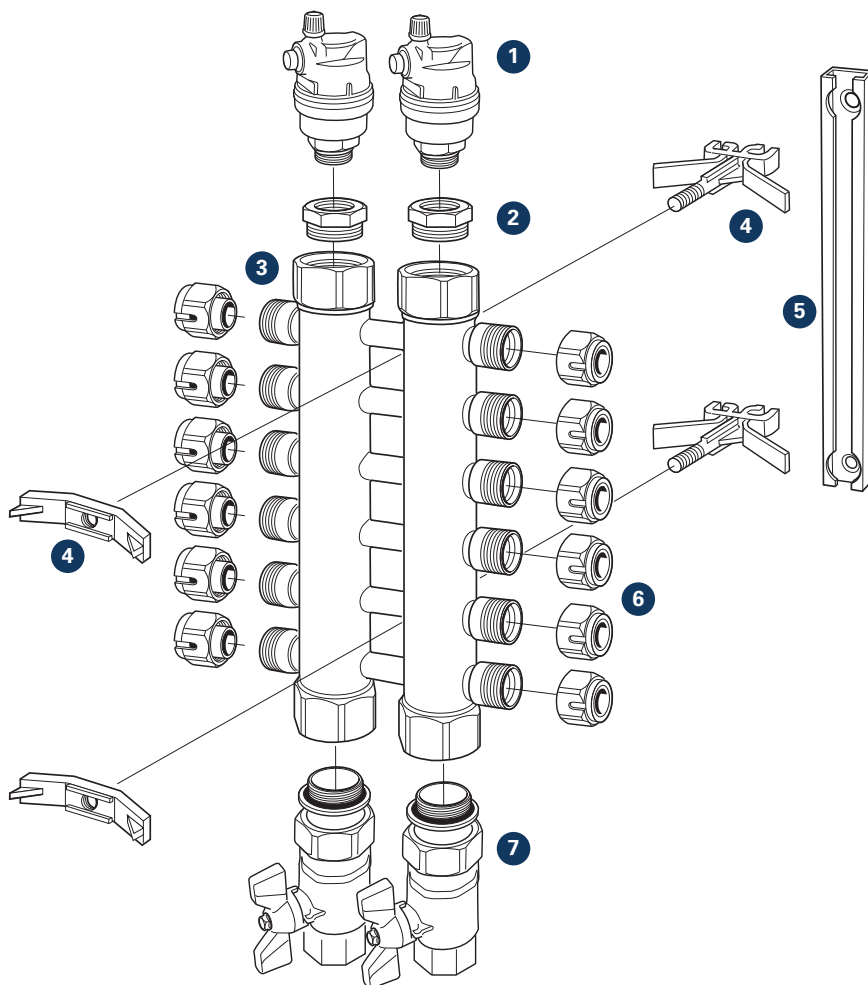
Description	Ways	Pcs/Pack	Code	Unit Price £
3/4"	2x2	1	01290800	38.32
3/4"	4x4	1	01290810	50.93
3/4"	6x6	1	01290820	62.22
3/4"	8x8	1	01290830	77.79
3/4"	10x10	1	01290840	84.34

Supplied as a pair of linked rails only, not as a kit. See schematic for proposed kit.

For Pipe, Emmeti Monoblocco connectors, plastic or metal mounting brackets, blanking plugs and ball valves please refer to the relevant pages within this section. These must be ordered separately.



Type 1 Mixer Manifold Assembly



- 1 Automatic Air Vent**
Optional Code 00400004, 1/2" Tecno-Varia automatic air vent
Option:
Code 00410021 Bleed Valve and Manual air vent 1/2"
- 2 Reducer Fittings**
Code 90004840 3/4" M x 1/2" F reducer, nickel plated
- 3 Manifold**
Code 01290800 2x2 to 01290840 10x10 3/4" 36mm ctrs.
- 4 Plastic Brackets**
Code 01302160 bracket support kit including retainer, sold in boxes of 10.
- 5 Aluminum Slider Rail**
Order two per manifold or one 400mm slider rail as this can be snapped into two 200mm lengths by hand.
Code 01306400 400mm or Code 01306398 200mm.
- 6 Monoblocco Connectors**
A range of Monoblocco connectors are available to suit pipe sizes 10mm - 20mm, and different pipe types PB, PE-X, PE-RT, MLCP and Copper. For the complete range please refer to section 9 'Manifold Accessories' or visit our website www.emmeti.co.uk
- 7 Ball Valves (Optional)**
A range of 3/4" Ball Valves are available For the complete range please refer to section 16 'Ball Valves' or visit our website www.emmeti.co.uk



Manifolds (continued)**Type 1 Steel nickel-plated manifold, with 3/4" F takeoff connections**

Description	Ways	Pcs/Pack	Code	Unit Price £
2"	5 + 5	1	07400460	455.40
2"	6 + 6	1	07400462	494.00
2"	7 + 7	1	07400464	528.50
2"	8 + 8	1	07400466	547.50
2"	9 + 9	1	07400468	592.90
2"	10 + 10	1	07400470	630.80
2"	11 + 11	1	07400472	667.40
2"	12 + 12	1	07400474	697.50
2"	13 + 13	1	07400476	739.70
2"	14 + 14	1	07400478	785.00
2"	15 + 15	1	07400480	836.10

Manifolds bars and outlet branches in drawn steel Fe 306B EN 10305, braze welded in copper and zinc plated.

For Pipe, Emmeti Monoblocco connectors ball valves please refer to the relevant pages within this section. These must be ordered separately.

Kit contents: 2 x female blanking plugs; 1 x drain/fill valve; 1 x manual/auto air vent; 2 x temperature gauges; pair of metal mounting brackets.

Supplied without ball valves. For ball valves to use with 3/4" F manifold connections refer to below.

3/4" male BSP ball valve with butterfly handle and adaptor for use with commercial manifolds

Description	Pcs/Pack	Code	Unit Price £
24x19 - red handle	1	01306196	13.08
32x1.5 - red handle	1	01306192	13.45
24x19 - blue handle	1	01306198	13.08
32x1.5 - blue handle	1	01306194	13.45

Choose 24x19 for connectors up to 20mm and 32x1.5 for 25mm and 26mm connectors. The valves must be used fully open or closed. Not suitable for flow regulation.

Straight male-male BSP joint, nickel-plated

Description	Thread	Pcs/Pack	Code	Unit Price £
3/4" M BSP	24x19	1	28103050	3.18
3/4" M BSP	32x1.5	1	28103060	3.54

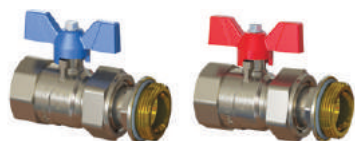
Choose 24x19 for connectors up to 20mm and 32x1.5 for 25mm and 26mm connectors. For Monoblocco pipe connectors see relevant pages within this section.



Buyers Guide 2018

Ball Valves

Pair of progress ball valves Male - Revolving nut with butterfly handle 1" F



Description	Pcs/Pack	Code	Pair Price £
1" F - MU	1	01306708	26.78

Boxed as a pair, with red and blue aluminium butterfly handles. Includes O-ring seals.

Pair straight Progress ball valves with offset temperature gauge, female - male union connection



Description	Pcs/Pack	Code	Pair Price £
1" F-MU	1	01306710	41.03

Boxed as a pair, with red and blue aluminium butterfly handles. Includes O-ring seals.

Pair of right angle progress ball valves, female-male with union connection



Description	Pcs/Pack	Code	Pair Price £
1" F - MU	1	01306712	38.18
1" F - MU c/w Temperature Gauge	1	01306714	51.25

Boxed as a pair, with red and blue aluminium butterfly handles. Includes O-ring seals.

Pair straight Progress ball valves with inline temperature gauge, compression and pipe union connection



Description	Pcs/Pack	Code	Pair Price £
22mm x 1" MU	1	6052R622	67.51

Boxed as a pair, with red and blue aluminium butterfly handles. Includes O-ring seals.

Pair right-angle Progress ball valves with female - male union connection



Description	Pcs/Pack	Code	Pair Price £
¾" F-MU	1	9745R005	35.20
1" F-MU	1	6064R006	53.78
1¼" F-MU	1	9745R007	88.17

Boxed as a pair, with red and blue aluminium butterfly handles. Includes O-ring seals.

Pair straight Progress ball valves with female - male union connection



Description	Pcs/Pack	Code	Pair Price £
¾" F-MU	1	9723R005	31.51
1" F-MU	1	6062R006	46.73
1¼" F-MU	1	9723R007	70.88
With inline temperature gauge			
1¼" F-MU	1	9722R007	86.18

Boxed as a pair, with red and blue aluminium butterfly handles. Includes O-ring seals.

Pair right-angle Progress ball valves with offset temperature gauge, female - male union connection



Description	Pcs/Pack	Code	Pair Price £
1" F-MU	1	6063R006	65.39

Boxed as a pair, with red and blue aluminium butterfly handles. Includes O-ring seals.

Pair right-angle Progress ball valves with inline temperature gauge, female - male union connection



Description	Pcs/Pack	Code	Pair Price £
1¼" F-MU	1	9744R007	103.90

Boxed as a pair, with red and blue aluminium butterfly handles. Includes O-ring seals.

Pipe and Accessories

Gerpex MultiLayer pipe (PE-X/AL/PE-X)



Certificate No.
1404093



Description	Coils	Code	Unit Price £/m
16 x 2	100m	28106000	1.51
16 x 2	200m	28106010	1.51
16 x 2	500m	28106050	1.51
20 x 2	100m	28106004	1.99
20 x 2	200m	28106002	1.99
26 x 3	50m	28106006	3.49
32 x 3	50m	28106008	4.71

WRAS approved, 5 layer pipe constructed using PE-Xb-AL-PE-Xb up to 32mm with PE-Xb-AL-PE-HD from 40mm to 75mm. Available in coils up to 32mm and in 4 metre bars throughout the range. Maximum operating pressure 10 bar, maximum operating temperature 95°C.

Gerpex Insulated MultiLayer pipe (PE-Xb-AL-PE-Xb) for Plumbing systems and Wall Hung Radiators



Certificate No.
1404093



Description	Insul. Thick	Coil	Code	Unit Price £/m
16 x 2	6mm	50m	28106108	2.36
16 x 2	6mm	100m	28106100	2.32
20 x 2	6mm	50m	28106104	2.88
20 x 2	9mm	50m	28106106	3.16
26 x 3	9mm	50m	28102880	4.81
32 x 3	9mm	25m	28102872	6.74

WRAS approved, 5 layer pipe constructed using PE-Xb-AL-PE-Xb. Available in coils up to 32mm. Insulation thickness 6mm up to 20mm pipe and 9mm insulation thickness for sizes 20, 26 and 32mm pipe. Maximum operating pressure 10 bar, maximum operating temperature 95°C.

Gerpex MultiLayer Composite Pipe (Insulated and Colour Coded)



Certificate No.
1404093



Description	Colour/Insul. Thick	Coil	Code	Unit Price £/m
16 x 2	Red / 6mm	100m	28106140	2.32
16 x 2	Blue / 6mm	100m	28106142	2.32
20 x 2	Red / 6mm	50m	28106144	2.92
20 x 2	Blue / 6mm	50m	28106146	2.88
16 x 2	Blue / 10mm	50m	28102540	2.36
20 x 2	Blue / 13mm	50m	28102542	3.45
26 x 3	Blue / 13mm	25m	28102870	5.56
32 x 3	Blue / 13mm	25m	28102874	7.63

WRAS approved, 5 layer pipe constructed using PE-Xb-AL-PE-Xb. Available in coils up to 32mm. 16mm and 20mm available in both red and blue. 26 and 32mm available only in blue. Maximum operating pressure 10 bar, maximum operating temperature 95°C.

Gerpex Multilayer Composite Pipe in Corrugated Conduit



Certificate No.
1404093



Description	Colour	Coil	Code	Unit Price £/m
16 x 2	Red	50m	28102350	2.60
16 x 2	Blue	50m	28102360	2.60

Description: 16 x 2 Gerpex MLCP encased within flexible conduit.



Buyers Guide 2018

Pipe and Accessories (continued)

PE-Xa barrier pipe



Description	Coils	Code	Price £/m
16 x 2	240m	U9530040	1.39
16 x 2	500m	U9530050	1.39
17 x 2	240m	28130674	1.80
17 x 2	600m	28130676	1.80
20 x 2	500m	28130684	2.14
25 x 2.3	500m	28130686	3.59

A 3 layer barrier pipe using a PE-Xa inner and an EVOH outer layer conforming to EN ISO 15875 and DIN 4726. Maximum operating pressure 6 bar; maximum operating temperature 95°C.

PE-Xc barrier pipe



Description	Coils	Code	Price £/m
12 x 2	240	28141802	1.51

12 x 2mm Five layer barrier pipe in high density polyethylene, cross linked. Easy to bend and secure for use in Underfloor Heating and Wall Hung Radiator Systems. Maximum operating temperature 90 C at 10 bar. Conforms to EN ISO 15875-2 and DIN 4726

Pipe conduit



Description	Coils	Code	Price £/m
24x19 ID black*	25m	U9510110	1.39
25x20 ID red	50m	U9510030	1.01
25x20 ID blue	50m	U9510040	1.01
28x23 ID red	50m	U9510050	1.93
28x23 ID blue	50m	U9510060	1.93

A range of flexible conduit with an internal diameter of between 19mm and 23mm. To protect and sleeve the pipe through areas where heat is not required. Pipe marked * is slit for ease of installation.

Pipe Decoiler



Description	Pcs/Pack	Code	Unit Price £
Low Roll Decoiler	1	U9281810	363.60
Low Roll Decoiler with telescopic arms	1	U9281820	384.60
High Roll Decoiler	1	U9281830	363.60

These pipe decoilers allow pipe rolls to be uncoiled consistently and easily to aid installation.

Monoblocco connector for plastic PB polybutylene pipe, nickel-plated



Certificate No.
1507073



Description	Thread	Pcs/Pack	Code	Unit Price £
10	24x19	1	28100318	3.11
15	24x19	1	28100330	2.61

Please ensure you use the plastic pipe insert provided for by the manufacturer of the pipe you are using.

Monoblocco connector for copper pipe, nickel-plated



Certificate No.
1507073



Description	Thread	Pcs/Pack	Code	Unit Price £
10	24x19	1	01321410	1.58
15	24x19	1	01321415	1.48

Pipe and Accessories (continued)

Monoblocco connector for MLCP MultiLayer composite pipes, nickel-plated



Certificate No.
1507073



Description	Thread	Pcs/Pack	Code	Unit Price £
12 x 1.6	24x19	1	28100355	4.33
14 x 2	24x19	1	28100356	2.98
16 x 2	24x19	1	28100358	2.83
16 x 2.25	24x19	1	28100360	2.98
18 x 2	24x19	1	28100364	2.93
20 x 2	24x19	1	28100366	2.88
20 x 2.25	24x19	1	28100374	5.21
26 x 3	32x1.5	1	28100368	7.01

Note: Manifolds with 24x19 takeoff connections can be adapted for use with 32x1.5 Monobloccos by using the following fitting:
24x19F - 32x1.5M, code 01306252. See page 30.

Monoblocco connector for PE-X, Pure PE-RT and PP, nickel-plated



Description	Thread	Pcs/Pack	Code	Unit Price £
12 x 1	24x19	1	28110100	3.03
12 x 2	24x19	1	28110106	3.10
15 x 1.7	24x19	1	28100326	4.10
16 x 1.5	24x19	1	28100332	3.95
16 x 1.8	24x19	1	6239R916	3.31
16 x 2	24x19	1	28110118	2.99
16 x 2.2	24x19	1	28100336	3.95
17 x 2	24x19	1	28110122	2.95
20 x 2	24x19	1	28110346	3.10
25 x 2.3	24x19	1	28100382*	7.32

Not suitable for use with MLCP Pipe, see correct connector above.

Note: Manifolds with 24x19 takeoff connections can be adapted for use with 32x1.5 Monobloccos by using the following fitting:
24x19F - 32x1.5M, code 01306252. See page 30.

* Available while stocks last.

Pipe shears



Description	Pcs/Pack	Code	Unit Price £
Ø 14 - 32	1	28100942	65.12
Spare blade	1	28100943	18.06

Pipe shears with guide



Description	Pcs/Pack	Code	Unit Price £
Ø 14 - 26	1	28101808	106.50
Spare blade	1	28101810	43.68

Rotary pipe slices



Description	Pcs/Pack	Code	Unit Price £
Pipe slice Ø 14 - 32	1	28100944	50.65
Spare wheel	1	28100948	19.84
Pipe slice Ø 6 - 75	1	28024081	179.50



Pipe and Accessories (continued)

Leakage test plug for MultiLayer Pipe - 1/2" F fitting



Description	Pcs/Pack	Code	Unit Price £
16 x 2	1	28101846	15.94
20 x 2	1	28101848	16.28

Complete with 1/2" F Fitting for air release valve (provided standard) or pressure gauge (optional).

Flarer and calibrator for MultiLayer pipe



Description	Pcs/Pack	Code	Unit Price £
Ø 16	1	U9280001	47.46
Ø 20	1	U9280002	48.81

For preparing the cut end of pipe prior to insertion of fitting.

Radiator Valves

Sensor Thermostatic radiator valve and lockshield kit for copper pipe



Description	Pcs/Pack	Code	Unit Price £
Right-angle valve 10mm	1	01213118	36.22
Right-angle valve 15mm	1	01213120	35.97
Straight valve 10mm	1	01213122	39.51
Straight valve 15mm	1	01213124	39.32

Kit contents: Sensor thermostatic head, 1/2" thermostatic valve body, lockshield valve and a pair of Monoblocco connectors for copper.

Sensor Thermostatic radiator valve kit for copper pipe



Description	Pcs/Pack	Code	Unit Price £
Right-angle 10mm	1	01213110	28.18
Right-angle 15mm	1	01213112	28.07
Straight 10mm	1	01213114	29.29
Straight 15mm	1	01213116	29.15

TRV only, no lockshield.

Kit contents: Sensor thermostatic head, 1/2" thermostatic valve body and Monoblocco connector for copper pipe.

Thermostatic head



Description	Pcs/Pack	Code	Unit Price £
M30 x 1.5mm	1	01213040	12.33

Regulates between 7 and 28°C using liquid sensor. Rated to 10 bar, 100°C water, 40°C ambient. Complies with EN215.

Tamperproof lock for thermostatic heads



Description	Pcs/Pack	Code	Unit Price £
Tamperproof TRV lock	1	90023720	1.59

Radiator Valves (continued)**Thermostatic right-angle valve for copper, MultiLayer, PEX, PP, PB pipe**

Description	Pcs/Pack	Code	Unit Price £
1/2" M x 24x19	1	01350342	9.01
1/2" M O-ring x 24x19	1	01350442	9.87

Suitable for pipe between 10mm and 20mm. Male threaded 24x19 inlet, for Monoblocco connectors, see pages 78-79

Thermostatic right-angle valve for steel pipe

Description	Pcs/Pack	Code	Unit Price £
1/2" M x 1/2" F	1	01350350	9.68
1/2" M O-ring x 1/2" F	1	01350450	10.55

Thermostatic straight valve for copper, MultiLayer, PEX, PP, PB pipe

Description	Pcs/Pack	Code	Unit Price £
1/2" M x 24x19	1	01350346	10.20
1/2" M O-ring x 24x19	1	01350446	10.93

Suitable for pipe between 10mm and 20mm. Male threaded 24x19, for Monoblocco connectors, see pages 78-79.

Thermostatic straight valve for steel pipe

Description	Pcs/Pack	Code	Unit Price £
1/2" M x 1/2" F	1	01350354	10.63
1/2" M O-ring x 1/2" F	1	01350454	11.40

Manual wheelhead regulation right-angle valve for copper, MultiLayer, PEX, PP, PB pipe

Description	Pcs/Pack	Code	Unit Price £
1/2" M x 24x19	1	01350304	6.25
1/2" M O-ring x 24x19	1	01350404	7.10

Suitable for pipe between 10mm and 20mm. Male threaded 24x19 inlet, for Monoblocco connectors, see pages 78-79.

Manual wheelhead regulation straight valve for copper, MultiLayer, PEX, PP, PB pipe

Description	Pcs/Pack	Code	Unit Price £
1/2" M x 24x19	1	01350312	6.79
1/2" M O-ring x 24x19	1	01350412	7.50

Suitable for pipe between 10mm and 20mm. Male threaded 24x19 inlet, for Monoblocco connectors, see pages 78-79.



Radiator Valves (continued)

Manual lockshield regulation straight valve for copper, MultiLayer, PEX, PP, PB pipe



Description	Pcs/Pack	Code	Unit Price £
½" M x 24x19	1	01350314	5.26
½" M O-ring x 24x19	1	01350852	7.65

Suitable for pipe between 10mm and 20mm. Male threaded 24x19 inlet, for Monoblocco connectors, see pages 78-79.

Manual wheelhead regulation right-angle valve for steel pipe



Description	Pcs/Pack	Code	Unit Price £
½" M x ½" F	1	01350320	6.79
½" M O-ring x ½" F	1	01350420	7.64

Manual lockshield regulation right-angle valve for steel pipe



Description	Pcs/Pack	Code	Unit Price £
½" M x ½" F	1	01350322	6.42
½" M O-ring x ½" F	1	01350422	7.29

Manual wheelhead regulation straight valve for steel pipe



Description	Pcs/Pack	Code	Unit Price £
½" M x ½" F	1	01350328	7.19
½" M O-ring x ½" F	1	01350428	7.91

Manual lockshield regulation straight valve for steel pipe



Description	Pcs/Pack	Code	Unit Price £
½" M x ½" F	1	01350872	7.69
½" M O-ring x ½" F	1	01350876	8.56

Spanner kit ⅜" - ½" - ¾" - 1"



Description	Pcs/Pack	Code	Unit Price £
Universal Rad Spanner	1	01306056	227.00

The ½" connector found in the kit is used to tighten radiator tails.

Manual wheelhead regulation right angle valve for PEX, MLCP, PB, PP



Description	Pcs/Pack	Code	Unit Price £
½" M x 24x19	25	01350700	6.21
½" M O-ring x 24x19	25	01350704	7.08

Suitable for pipe between 10mm and 20mm. Male threaded 24 x 19 inlet. For Monoblocco Connectors pages 78-79.



Radiator Valves (continued)

Manual lockshield regulation right angle valve for PEX, MLCP, PB, PP



Description	Pcs/Pack	Code	Unit Price £
½" M x 24x19	25	01350702	5.44
½" M O-ring x 24x19	25	01350706	6.31

Suitable for pipe between 10mm and 20mm. Male threaded 24 x 19 inlet.
For Monoblocco Connectors see pages 78-79.

Manual wheelhead regulation right angle valve for steel pipe



Description	Pcs/Pack	Code	Unit Price £
½" M x ½" F	1	01350720	6.35
½" M O-ring x ½" F	1	01350724	7.21

Manual lockshield regulation right angle valve for steel pipe



Description	Pcs/Pack	Code	Unit Price £
½" M x ½" F	1	01350722	5.54
½" M O-ring x ½" F	1	01350726	6.40

Manual wheelhead & lockshield regulation straight valve for steel pipe



Description	Pcs/Pack	Code	Unit Price £
Wheelhead ¾" M x ¾" F	1	01266128	26.14

Manual wheelhead & lockshield regulation right-angle valve for steel pipe



Description	Pcs/Pack	Code	Unit Price £
Wheelhead 1" M x 1" F	1	01266112	116.30
Lockshield 1" M x 1" F	1	01266114	145.10

Manual wheelhead & lockshield regulation straight valve for steel pipe



Description	Pcs/Pack	Code	Unit Price £
Wheelhead 1" M x 1" F	1	01266116	116.30
Lockshield 1" M x 1" F	1	01266118	145.10

Point to Point Radiator Connection



Description	Pcs/Pack	Code	Pair Price £
½"x24x19 Radiator Tail	1	01306081	3.03
24x19x24x19 Elbow	1	28103180	3.18

A kit to allow terminal connection at the radiator in a Type 2, manifold based, point to point radiator system. The tail piece connects into the radiator and the elbow piece allows for a wide range of pipes to be connected via the 24x19 thread and Monoblocco connector to suit.

Items sold separately.



Zone Controls

EWC-1 hard wired wiring centres with on-off switch



Description	Pcs/Pack	Code	Unit Price £
230V 8-way wiring centre with on-off switch	1	U9360010	162.00
24V 8-way wiring centre with on-off switch	1	U9360020	221.70

The EWC-1 wiring centre allows central connection of all system electrical components (230 or 24V) including:

- Up to 8 room thermostats
- Manifold circulating pump
- Central timeswitch
- Electro-thermic actuators (up to 5 per channel)
- Boiler signal

LED indication for each circuit, pump and boiler. On/off switch for safe isolation. Earth continuity terminals included. 24V version includes a 50VA transformer with the capacity to connect up to 15 x 3W actuators. For wiring and mounting details please see our website www.emmeti.co.uk.

EWC-2 hard wired wiring centres



Description	Pcs/Pack	Code	Unit Price £
230V 8-way wiring centre	1	U9370001	123.80
230V 12-way wiring centre	1	U9370002	196.10

The EWC-2 wiring centre is a more commercially priced option available in 8 or 12 ways. Allows central connection of all system electrical components (230V only) including:

- Up to 8 or 12 room thermostats
- Manifold circulating pump
- Central timeswitch
- Electro-thermic actuators (up to 5 per channel)
- Boiler signal

LED indication for pump/boiler combined. Earth continuity terminals included. For wiring and mounting details please see our website www.emmeti.co.uk.

EWC-4 hard wired wiring centres



Description	Pcs/Pack	Code	Unit Price £
230V 4 way wiring centre	1	U9380001	83.92

The EWC-4 is a compact, 4 way wiring centre designed for small UFH and WHR systems. Allows central connection of all system components and includes:

- Connection for up to 4 room thermostats
- Central timeswitch terminals
- Manifold circulating pump terminals
- Boiler volt free terminals
- Electrothermic actuator connection (up to 3 per channel)
- LED indication for boiler/pump operation.

Zone Controls (continued)

CS-17 Touch - Touchscreen Programmable Thermostat



Description	Pcs/Pack	Code	Unit Price £
230V Touchscreen Programmable Stat	1	U9320001	73.88



A touchscreen programmable thermostat for Underfloor and Wall Hung Radiator systems. Features include touch screen operation, remote sensing for air and floor use, temperature limiting function, frost protection and optimum start.

Digital Thermostats (Programmable and Non-Programmable)



Description	Pcs/Pack	Code	Unit Price £
230V Programmable Stat	1	U9310047	60.09
24V Programmable Stat	1	U9310140	60.09
230V Simple NSB Stat	1	U9310090	59.75
24V Simple NSB Stat	1	U9310190	59.75

The CS-11 range has 4 options, simple night setback version (230V & 24V) and programmable (230V & 24V) for a wide range of application including Underfloor Heating and Wall Hung Radiator systems.

Simple nightset back version has volt free contacts to allow a timed feed as well as a night setback feed for a temperature setback function.

Programmable version has 230V 16A switching capabilities for timed switching of system components.

All 4 options are low profile, designed to be fitted to a 35mm back box and come complete with 3m remote sensor, temperature limiting option and frost protection.

CS-11 LCD Digital Timeswitch



Description	Pcs/Pack	Code	Unit Price £
230V Timeswitch	1	U9310070	59.75
24V Timeswitch	1	U9310170	59.75

Electronic digital single channel timeswitch enables the time control of Underfloor or Wall Hung Radiator circuits. Programming allows 6 on/off events per day as 7 day, 5 + 2, 6 + 1 and 24 hour programmes. Designed to be fitted to a 35mm single gang back box. 230V or 24V versions available.

For installation requirements and wiring connections, please see our website www.emmeti.co.uk.

TSTS -17 Touchscreen Timeswitches



Description	Pcs/Pack	Code	Unit Price £
230V Touchscreen Timeswitch (2 Channel)	1	U9310072	112.50
230V Touchscreen Timeswitch (3 Channel)	1	U9310073	122.60

Two and three Channel touchscreen programmable timeswitches for use in multi-system applications. ON/OFF switching for 2 or 3 channels respectively.

2 channel version has the option to switch CH1 & CH2 or DHW & Heating.

3 channel version has the option to switch CH1, CH2 & CH3 or Heating 1, Heating 2 & DHW.



Zone Controls (continued)

Termec electromechanical dial operated room thermostat



Description	Pcs/Pack	Code	Unit Price £
230V / 24V 3 contact	1	02001012	18.48
230V 3 contact with LED	1	02001014	19.94
230V 3 contact with LED & ind. switch*	1	02001016	24.84
230V 3 contact with LED & on-off switch	1	02001018	24.03
230V 2 contact with LED & heating/cooling/off switch	1	02001020	25.10

Features include: LED calling for heat light, temperature range 5°C to 30°C, temperature differential 1.4°C, on-off and heating/cooling switch options.

*02001016 has an on-off switch which can be wired independently of the thermostat contacts.

Electromechanical dial operated room thermostat



Description	Pcs/Pack	Code	Unit Price £
230V / 24V 3 contact	1	U9132105	21.34
230V 3 contact with LED	1	U9132110	22.60
230V 3 contact with LED & on-off switch	1	U9132120	29.40
230V 3 contact with LED & heating / cooling switch	1	U9132135	30.65

Features include: LED calling for heat light, on-off and heating-cooling switch options. The U9132105 model may also be used for 24V applications.

Electronic dial operated room thermostat



Description	Pcs/Pack	Code	Unit Price £
230V 3 contact with LED and night setback (NSB) operation	1	U9132016	37.48
24V 3 contact with LED and night setback (NSB) operation	1	U9132013	37.48

Electronic dial operated thermostat with changeover contacts available in 230V and 24V versions. LED provides call for heat indicator. U9132016 and U9132013 include variable night setback operation from 2°C to 7°C (default 4.5°C) when used with a suitable timeswitch. Available with remote sensor options overleaf.

Tamperproof room thermostat



Description	Pcs/Pack	Code	Unit Price £
230V 3 contact with LED and night setback (NSB) operation	1	U9132075	40.49
24V 3 contact with LED and night setback (NSB) operation	1	U9132085	40.49

Electronic thermostat with concealed dial adjustment available in 230V and 24V versions. Both models include variable night setback (NSB) operation from 2°C to 7°C (default 4.5°C) when used with a suitable timeswitch.

Zone Controls (continued)

Remote sensors, concealed and wall-mounted types



U9132011 / U9250060

U9132012 / U9132023

Description	Pcs/Pack	Code	Unit Price £
Remote sensor NTC 4.7k without casing, 1.5m length	1	U9132011	12.79
Remote sensor NTC 4.7K without casing, 3m length	1	U9250060	21.79
Remote sensor NTC 4.7k with casing, no lead	1	U9132012	10.65
Remote sensor 10K with casing, no lead	1	U9132023	10.65

Please see below compatibility table for use with Emmeti thermostats.

Descripton	Emmeti Sales Code	Suitable for	Emmeti sales code
Remote NTC 4.7k sensor with casing no lead Remote NTC 4.7k sensor without casing 1.5m lead	U9132012 U9132011	Electronic dial room thermostat 24V with LED Electronic dial room thermostat 230V with LED Tamperproof room thermostat 230V Tamperproof room thermostat 24V	U9132013 U9132016 U9132075 U9132085
Remote NTC 10k sensor with casing no lead	U9132023	CS-11, TST-11 and CS-17 thermostat range	U9310090/ U9310190 U9310047/ U9310140 U9310010/ U9310110 U9320001

Sensor pocket



Description	Pcs/Pack	Code	Unit Price £
Brass Pocket 6mm dia x 33mm	1	U9132310	10.65

Brass pocket with a 1/2" BSPM thread. For remote sensors U9132011 and U9250060.

Control T - electrothermic head



Description	Pcs/Pack	Code	Unit Price £
Normally closed			
230V NC	1	01213242	18.53
24V NC	1	01213202	18.81
Normally open			
230V NO	1	01213280	19.10
24V NO	1	01213260	19.39

Note: The electrothermic heads can be used in conjunction with: Topway Type 2, FCU-HE and FMU3 Floor Mixing Unit. Supplied with 1m cable. 2 wire.

Control T - electrothermic head normally closed with end switch (4 A 230 V)



Description	Pcs/Pack	Code	Unit Price £
230V with micro switch NC	1	01213252	22.54
24V with micro switch NC	1	01213212	22.83

Note: The electrothermic heads can be used in conjunction with: Topway Type 2, FCU-HE and FMU3 Floor Mixing Unit. Supplied with 1m cable. 4-wire. The two additional cores are connected to an auxiliary switch, which allows an external load to be energised on operation of the head.



Zone Controls (continued)

Adaptor for Control T electrothermic heads



Description	Pcs/Pack	Code	Pack Price £
Spacing disc c. 9mm dia. X 1mm thick	12	90039364	2.34

To be fitted to electrothermic heads in order to give additional travel when fitted to non-Emmeti manifolds.

Zone Controls - Wireless

Please note that this range of wireless controls is not compatible with the range in our previous price catalogues, 2011 and older, the signalling protocol has changed. To distinguish between the two range the new controls are prefixed with 'N'.

N MC2 W 2-channel wiring centre



Description	Pcs/Pack	Code	Unit Price £
2 Channel Wiring Centre	1	02018118	165.40

230V wiring centre with two independent channels (and auxiliary pump supply relay) which can be assigned to two different wireless thermostat controls (e.g. the N CTA W, N ETA W or N TA W above) for the activation of electrothermic actuators when used with the N AR W receiving antenna above. Can be connected to 8 channel wiring centres below using the 800mm cable supplied. The centre also has the facility for night setback (NSB) operation with a N TA W thermostat. For installation, wiring and commissioning please see our website www.emmeti.co.uk.

N MC8 W 8-channel wiring centre



Description	Pcs/Pack	Code	Unit Price £
8 Channel Wiring Centre	1	02018120	258.30

230V wiring centre with eight independent channels (plus auxiliary relay for pump supply) which can be assigned to eight different wireless controls (e.g. the N CTA W, N ETA W or N TA W above) for the activation of electrothermic actuators when used with the NAR W receiving antenna above. Can be connected to other 8 channel centres or a 2 channel centre above using the 800mm cable supplied. The centre also has the facility for night setback (NSB) operation with a N TA W thermostat. For installation, wiring and commissioning please see our website www.emmeti.co.uk.

N CTA W Programmable thermostat



Single Zone



Multi Zone

Description	Pcs/Pack	Code	Unit Price £
Wireless Programmable Thermostat	1	02018110	112.10

Battery powered wireless electronic programmable thermostat with push-button programming, and large backlit LCD screen with programme and temperature/optional current time display. The unit can be programmed to give either 24hour / 7 day operation with up to four programme periods a day. The front flap gives access to battery compartment and two dial operated temperature settings for day / night operation. Other features include anti-frost function, combined air and floor sensor function and holiday mode. Available with remote sensor options overleaf.

N TA W Thermostat



Single Zone



Multi Zone

Description	Pcs/Pack	Code	Unit Price £
Wireless Dial Thermostat	1	02018112	63.24

Battery powered wireless dial operated electronic thermostat that can operate to control heating or cooling with a simple internal change. The remotely located thermostat will signal the N AR W receivers connected to the 2- or 8-channel wiring centres below. Night set back (NSB) facility is available via the wiring centre. Available with remote sensor option overleaf.

Zone Controls - Wireless (continued)

N ETA W Digital Wireless Thermostat



Description	Pcs/Pack	Code	Unit Price £
Wireless Digital Thermostat	1	U9132155	89.45

Wireless battery operated digital thermostat with blue back-lit LCD display. This unit can operate to control both heating and cooling and has temperature range limitation.

The remotely located thermostat will signal the N AR W receivers connected to the 2 or 8-channel wiring centres below. Night set back (NSB) facility is available via the wiring centre. Available with remote sensor option below.

N AR W Receiving antenna



Description	Pcs/Pack	Code	Unit Price £
Wireless Receiver	1	U9132175	139.50

Wireless receiving antenna. Receives signalling from N TA W, N ETA W and N CTA W thermostats remotely located. Complete with 5m of cable for connecting to N MC2 W or N MC8 W wiring centres. One antenna can be used with up to ten wiring centres interconnected by the cables supplied with the wiring centre. They can also be used as repeaters to solve problems of difficult wireless transmission in large buildings. The power supply unit in this section should be used with the antenna when installed as a repeater.

N R1 W 1-channel wiring centre and receiver



Description	Pcs/Pack	Code	Unit Price £
Wireless Single Channel Receiver	1	U9132165	92.95

A 230V combined single channel wiring centre and receiving antenna.

Designed to switch electrothermic heads or circulators up to a maximum rating of 6A. Suitable for a single channel application using any one of our range of wireless thermostats, N TA W, N ETA W or N CTA W.

Remote sensors



Description	Pcs/Pack	Code	Unit Price £
Remote sensor SRA-150, NTC 100K without casing 1.5m length cabling	1	28130662	10.54

To replace the internal sensor and provide remote sensing. For N TA W only. For N CTA W and N ETA W see remote sensors on page 87.

Power supply unit for N AR W receiving antenna used as a repeater



Description	Pcs/Pack	Code	Unit Price £
Power supply unit	1	U9310060	88.19

Only required when used remote from wiring centres.

Compact electronic power supply unit which can be connected in fixed wiring installations to provide a 12V DC power supply to the receiving antenna. To improve the signalling from wireless thermostats to the wiring centre where greater distance or building construction might reduce signal strength.

Input: 230VAC 50Hz Output: 12VDC, 0-30W Dimensions: 175mm h x 45mm w x 25mm d.

For installation, wiring and commissioning please see our website www.emmeti.co.uk.



Buyers Guide 2018

Zone Controls - Weather Compensating (continued)

RCE Weather compensating kit for heating and cooling



Description	Pcs/Pack	Code	Unit Price £
RCE weather compensator	1	28139070	340.40

The RCE is an electronic temperature controller that has three modes of operation; Weather Compensation, Fixed Point, and Modulating. It can be used for low temperature Underfloor Heating and cooling and high temperature radiator heating.

Includes electronic control unit, remote mounting box, 2 sensors, probe holders and extension connector. The RCE can control 230V or 24V 0-10V mixing actuators.

Humidistat



Single Zone



Multi Zone

Description	Pcs/Pack	Code	Unit Price £
Programmable Thermo/Humidistat	1	02018090	293.20

Programmable heating and cooling thermostat with summer/ winter changeover switch and built in humidity sensor. Designed for use with combined heating and cooling systems such as the RCE controller. Can be used to activate a dehumidifier. Battery powered with a large, LCD display.

Pocket for water sensor



Description	Pcs/Pack	Code	Unit Price £
¼" M	1	28153220	46.49

For use where a surface mounting probe is not suitable for sensing water temperature.

Housing for external temperature sensor



Description	Pcs/Pack	Code	Unit Price £
External housing sensor	1	28139076	19.54

Dew sensor



Description	Pcs/Pack	Code	Unit Price £
Dew sensor	1	28139072	93.25

For use in cooling systems.

Converter for dew sensor



Description	Pcs/Pack	Code	Unit Price £
Converter unit	1	28139074	105.20

For use when installed as part of a large multi-dwelling cooling system. The converter will relay a condensation alarm to the centralised mixing station and RCE.

Zone Controls - Weather Compensating (continued)

Transformer 230/24V 10 VA



Description	Pcs/Pack	Code	Unit Price £
230V/24V transformer	1	28139130	33.90

Please note 10 VA capacity when using with EWC-4, consideration for loading requirements of actuators is needed.

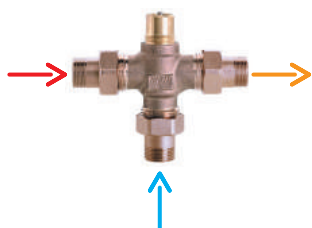
3-point actuator for TM3-R, M3V Control Groups, FMU3 Floor Mixing Unit, FCU Floor Control Unit and Firstbox



Description	Pcs/Pack	Code	Unit Price £
230V	1	28157210	190.50
24V 0-10V	1	28157220	256.10

Electronic actuator for use with weather compensating kit 28139070.

3-way mixing valve for weather compensating kit



Description	Pipe Union	Pcs/Pack	Code	Unit Price £
Kvs (m ³ /h)	Connection			
DN10 - 1.6	G 3/8" M	1	28130210	147.90
DN15 - 2.5	G 1/2" M	1	28130212	149.20
DN20 - 4	G 1/2" F	1	28130214	180.20
DN25 - 6.3	G 3/4" F	1	28130216	300.70
DN25 - 10	G 1" F	1	28130218	338.30
DN32 - 16	G 1 1/4" F	1	28130220	448.50
DN40 - 25	G 1 1/2" F	1	28130222	533.20

PN 16 class, body in bronze, spindle in steel and O-rings in EPDM. Complete with unions. These valves are intended for use with weather compensating kit 28139070 and actuators 28130206, 28130208 and 28130209 shown below.

Actuator for 3 way mixing valve



Description	Pcs/Pack	Code	Unit Price £
Electronic actuator	1	28130206	241.10

24V, 0 - 10V. 200N Force. Suitable for above mixing valve 3/8", 1/2" and 3/4" only.

3 point actuator for 3-way mixing valve



Type	Pcs/Pack	Code	Unit Price £
Electronic actuator	1	28130208	262.40

230V, 300N Force. Suitable for above mixing valve 1", 1 1/4" and 1 1/2" only.

Actuator for 3 way mixing valve



Description	Pcs/Pack	Code	Unit Price £
Electronic actuator	1	28130209	428.00

24V, 0 - 10V. 300N Force. Suitable for above mixing valve 1", 1 1/4" and 1 1/2" only.



Zone Controls - Weather Compensating (continued)

Contact thermostat



Description	Pcs/Pack	Code	Unit Price £
0-60 °C	1	02012038	15.49
30-90°C	1	02012040	15.49

Connect by wrapping the steel spring wire (provided) around the external surface of pipe. Designed for use with weather compensating kit 28139070 where overheat protection is required.

Thermometer pocket, connection M 1/2"



Description	Pcs/Pack	Code	Unit Price £
Ø 7 L 50 mm	1	00510682	5.73

Manifold Accessories

Backless on-wall manifold cabinet for heating manifolds



Description	Pcs/Pack	Code	Unit Price £
L400 (380 x 640 x 135)	1	U9282600	67.87
L 530 (510 x 640 x 135)	1	U9282620	77.42
L680 (660 x 640 x 135)	1	U9282630	90.12
L830 (810 x 640 x 135)	1	U9282640	102.00
L1030 (1010 x 640 x 135)	1	U9282650	115.90
L1130 (1110 x 640 x 135)	1	U9282660	119.00

A range of backless metal cabinets designed to be fitted once the manifold has been fitted, tested, commissioned and decoration has been completed. Please see cabinet sizing technical guide at www.emmeti.co.uk for correct selection.

Manifold cabinet in galvanized steel with white enamelled door.



Description	Pcs/Pack	Code	Unit Price £
L500MM (560 x 600 x 80-120)	1	01301300	99.18
L700MM (760 x 600 x 80-120)	1	01301304	125.00
L850MM (910 x 600 x 80-120)	1	01301306	154.00
L1000MM (1060 x 600 x 80-120)	1	01301308	167.00
L1200MM (1260 x 600 x 80-120)	1	01301310	192.70

Door to fit flush with finished surface. Box for manifolds, flush fitting with adjustable depth. Supplied complete with quarter turn catch, feet adjustable for height from 0 to 100mm and cover for protection during site work. Key lock can be purchased separately see code 90065020.

Key lock for in wall manifold cabinets.



Description	Pcs/Pack	Code	Unit Price £
Key lock	1	90065020	25.19

Manifold Accessories (continued)

Termobox - white plastic universal manifold box



Description	Pcs/Pack	Code	Unit Price £
310 x 310 x 90	1	01302090	18.76
460 x 310 x 90	1	01302100	23.11
610 x 310 x 90	1	01302110	29.62

Integrated into the back panel of the box are two slider rails, to support an upper and lower manifold when used with slider rail brackets.

Suitable for use with hot and cold plumbing manifolds, as well as heating manifolds. Knock out panels allow for pipe distribution on all sides.

For manifold sizing information, please see our website www.emmeti.co.uk

1" end T-piece nut and O-ring



Description	Pcs/Pack	Code	Unit Price £
1" M x 1/2" F BSP x 1/2" F BSP	1	01306298	14.25

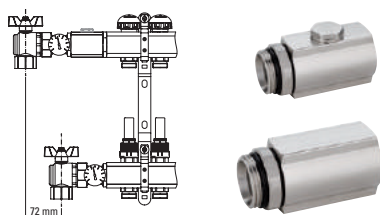
With 1/2" female connections for manual or automatic air vent, drain / fill valves, pressure gauges or temperature/pressure gauges. The 1" M connection to the manifold is complete with an O-ring sealing face and locking nut for easy orientation.

Hose tail for filling and draining



Description	Pcs/Pack	Code	Unit Price £
3/4" loose nut x 3/8" barb	1	09020012	1.37

Extension piece for Topway manifolds



Description	Pcs/Pack	Code	Unit Price £
M-F 1" c/w 1/2" blanked port	1	01306254	20.95
M-F 1 1/4" no port	1	01306256	23.91

Used to offset either the flow or return angled ball valves on the left side of a manifold. It allows you to run pipe vertically and parallel.

Blanking plugs, male and female, nickel-plated



Certificate No.
1507073



Description	Pcs/Pack	Code	Unit Price £
1/2" M with O-ring seal	1	90004930	1.42
3/4" M with O-ring seal	1	90004820	2.06
1" M with O-ring seal	1	90004830	2.77
1 1/4" M with O-ring seal	1	90005070	4.33
3/4" F (*)	1	01291536	1.85
1" F (*)	1	01291538	2.93
24x19 F with O-ring seal (Manifold outlet cap)	1	01321460	1.62

(*) Use the appropriate washer (90008200 or 90008210) shown below when ordering these items.

Female washers



Certificate No.
1507073



Description	Pcs/Pack	Code	Unit Price £
3/4" F	1	90008200	0.26
1" F	1	90008210	0.21



Manifold Accessories (continued)

Reducer fittings, nickel-plated



Certificate No.
1507073



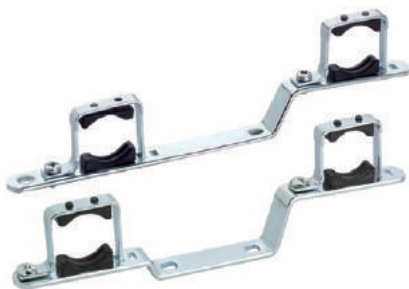
Description	Pcs/Pack	Code	Unit Price £
3/4" M x 3/8" F	1	90005050	2.01
3/4" M x 1/2" F	1	90004840	2.22
1" M x 3/8" F	1	90005060	3.63
1" M x 1/2" F	1	90004850	3.63
1" M x 3/4" F	1	90006870	3.06
1 1/4" M x 1/2" F	1	90005080	6.50
1 1/4" M x 1" F	1	90005084	4.87
1/2" M x 1/4" F with O-ring seal and gasket	1	01306464	4.08

Metal brackets for Topway manifolds, pairs of single brackets



Description	Pcs/Pack	Code	Pair Price £
3/4"	Pair	90011500	7.78
1"	Pair	90011510	7.85
1 1/4"	Pair	90011520	7.89

Metal brackets for Topway manifolds, pairs of double brackets



Description	Centres	Pcs/Pack	Code	Pair Price £
3/4"	200mm	Pair	90011530	12.91
1"	200mm	Pair	90011540	13.02
1 1/4"	200mm	Pair	90011550	13.12
3/4"	210mm	Pair	90011560	12.37
1"	210mm	Pair	90011570	12.48
1 1/4"	210mm	Pair	90011580	12.60
T2 Topway Plus Manifolds				
1"	210mm	Pair	01306826	12.77

For use when fitting a manifold to either a 200mm or 210mm centre control group.

Plastic bracket support kits for Topway and TopSan manifolds



Description	Size	Pcs/Pack	Code	Pack Price £
10 pairs bracket support kit	3/4"	1	01302120	11.88
10 pairs bracket support kit	1"	1	01302130	11.88

To be used with slider rails or Termobox cabinet.

Plastic bracket support kits for Modular and Multiplex manifolds



Description	Size	Pcs/Pack	Code	Pack Price £
10 pairs bracket support kit	3/4"	1	01302140	10.21
10 pairs bracket support kit	1"	1	01302150	10.21

To be used with slider rails or Termobox cabinet.

Plastic bracket support kits for Mixer manifolds



Description	Size	Pcs/Pack	Code	Pack Price £
10 bracket support kits	3/4" and 1"	1	01302160	9.08

To be used with slider rails or Termobox cabinet.

Manifold Accessories (continued)

Aluminium slider rail for bracket support kits supplied with screw and rawplug pack



Description	Pcs/Pack	Code	Unit Price £
200mm	1	01306398	9.88
400mm	1	01306400	15.17

Insulating shells for Topway manifolds



Description	Pcs/Pack	Code	Unit Price £
1 1/4"	1	01306502	29.32

In extruded polyethylene. 12 branch holes at 50mm intervals. To be cut to size according to the number of ways of the manifold to be insulated.

Copper adaptor; brass chrome-plated



Certificate No.
1607050



Description	Pcs/Pack	Code	Unit Price £
22mm copper x 3/4" M BSP	1	U9240020	4.19
22mm copper x 1" M BSP	1	U9240018	5.56

Straight male-male adaptors, nickel-plated



Certificate No.
1507073



Description	Pcs/Pack	Code	Unit Price £
1" M x 1" M with O-ring seal	1	90006700	5.27
1 1/4" M x 1 1/4" M with O-ring seal	1	90006910	8.48

For bridging between Topway manifolds.

Straight male-female adaptor



Description	Pcs/Pack	Code	Pair Price £
1" M x 1" F flat union coupling and gasket	Pair	01306460	19.92

These are sold in pairs.

Straight swivel adaptors, nickel-plated



Certificate No.
1507073



Description	Pcs/Pack	Code	Unit Price £
1" M x 1" M	1	01306426	12.09
1 1/4" M x 1 1/4" M	1	01306430	19.41
1 1/4" M x 1" M reducer	1	01306432	16.56
3/4" M x 3/4" M	1	01306434	11.44

Allows orientation of product during installation.

Straight male - female adaptor



Description	Pcs/Pack	Code	Unit Price £
1" M BSP x 1" F Union Connector	1	90055960	16.31

Two are required when tightening swivel adaptors, for use with stainless steel manifolds.



Buyers Guide 2018

Manifold Accessories (continued)

27mm-30mm AF spanner for tightening 24x19 Monoblocco connectors



Description	Pcs/Pack	Code	Unit Price £
27-30mm	1	01306058	73.23

Design to easily tighten the takeoff connections in the 36mm interaxial space provided. The 30mm jaw is designed for use with larger Monoblocco connectors.

27mm AF spanner for tightening 24x19 Monoblocco connectors



Description	Pcs/Pack	Code	Unit Price £
27mm	1	01306054	7.63

For Monoblocco connectors up to dia 18mm only. Shoulderless spanner for manifolds with 36mm interaxials.

38mm AF spanner for 32x1.5mm Monoblocco connectors



Description	Pcs/Pack	Code	Unit Price £
38mm	1	28171002	115.50

To be used for the tightening of Monoblocco connectors 32x1.5 on the takeoff connections of Topway manifolds with 50mm connector spacing.

Spanner for straight swivel adaptors 37mm - 48mm AF



Description	Pcs/Pack	Code	Unit Price £
37 - 48mm	1	01306044	5.90

Two are required when tightening swivel adaptors.

Male tee union with female pipe union for temperature gauge



Description	Pcs/Pack	Code	Unit Price £
FU-M 24x19	1	90011760	9.03
FU-M 3/4" Eurocone	1	90011770	10.05

The temperature gauge below is designed to be fitted to the flow and return manifold takeoff connections, allowing in-line monitoring of circuit temperatures.

Differential pressure by-pass kit with right angle Progress ball valves



Description	Pcs/Pack	Code	Unit Price £
1"	1	01306186	143.40

Differential pressure by-pass valve from 0.2 to 0.5 bar.
For connection to the left side of a manifold, connecting to flow and return rails. By-passed flow direction is from flow (red handle) to return (blue handle).

Manifold Accessories (continued)

Differential pressure by-pass kit



Description	Pcs/Pack	Code	Unit Price £
1"	1	01306174	47.41
1 1/4"	1	01306176	54.03

For Topway pre-assembled manifolds.

For connection to the right-hand side of a manifold, connecting to flow and return rails. For this configuration, the flow is on the bottom connection and the return on the top connection. It can easily be reversed on site.

Differential pressure by-pass valve from 0.2 to 0.5 bar.

Pressure gauge with radial connection



Description	Pressure	Pcs/Pack	Code	Unit Price £
1/4" x 50mm	4 bar	1	00612452	6.27
1/4" x 50mm	6 bar	1	00616024	6.27
T2 Topway Plus				
1/4" x 50mm	6 bar	1	90063890	7.25
1/4" x 63mm	2.5 bar	1	00612003	6.83
1/4" x 63mm	4 bar	1	00612004	6.83
1/4" x 63mm	6 bar	1	00612006	6.83
1/4" x 63mm	10 bar	1	00612010	6.83
1/4" x 63mm	16 bar	1	00612016	6.83
1/4" x 63mm	25 bar	1	00612025	6.83
3/8" x 80mm	4 bar	1	00614004	13.50
3/8" x 80mm	6 bar	1	00614006	13.50
3/8" x 80mm	10 bar	1	00614010	13.50
3/8" x 80mm	16 bar	1	00614016	13.50
3/8" x 80mm	25 bar	1	00614025	13.50

Pressure gauge with axial connection



Description	Pressure	Pcs/Pack	Code	Unit Price £
1/4" x 50mm	4 bar	1	00616020	6.27
1/4" x 50mm	10 bar	1	00612442	6.27
1/4" x 63mm	4 bar	1	00616004	7.08
1/4" x 63mm	6 bar	1	00616006	7.08
1/4" x 63mm	10 bar	1	00616010	7.08

Casing in ABS plastic. For use with 01306458 tee piece.

Combined temperature and pressure gauge



Description	Pcs/Pack	Code	Unit Price £
1/4" M c/w 1/2" M check valve x 80mm			
Axial connection	1	00600012	18.36
Radial connection	1	00602012	26.04

Max: Pressure 4 bar, temperature 120 °C



Manifold Accessories (continued)

Tee with pipe union for pressure gauges



Description	Pcs/Pack	Code	Unit Price £
½" M-F x ¼"	1	01306458	12.05

Designed to be fitted to a ½" manifold tapping, it has a pre-assembled ½" x ¼" reducer to provide connection of a pressure gauge, complete with gauge sealing gasket.

The ½" M BSP connection to manifold includes an O-ring seal and locking ring, for orientation.

The ½" F BSP connection allows a manual 00410021 (page 99) or automatic air vent 00400004 (page 99) to be connected

Topway circuit indicator pack with 12 red bands



Description	Pcs/Pack	Code	Pack Price £
1" - 1¼"	1	01306320	10.11

With labels for identifying circuits. To lock Topway flow meter.

Manifold Spares

Topway lockshield with incorporated flow meter 0-4 l/min



Description	Pcs/Pack	Code	Unit Price £
T2 Topway Manifolds 0-4 l/min, ½" MBSP metal threaded	1	01306302	8.23
T2 Topway Plus Manifolds 0-4 l/min, ½" MBSP metal threaded	1	01306810	8.23

Double regulating, allows for isolation of circuits as well as visual flow regulation. This does not include Topway lockshield / flowmeter seat. To order a lockshield / flowmeter seat refer to code 01306312 or 01306316 for T2 Topway or code 01306812 for T2 Topway Plus.

Topway lockshield



Description	Pcs/Pack	Code	Unit Price £
½" MBSP metal threaded	1	01306300	5.82

Replacement manifold lockshield assembly. Can be used to change flowmeters to lockshields.

Topway flow meter only



Description	Pcs/Pack	Code	Unit Price £
0-2.5 l/min	1	01306828	5.00
0-4 l/min	1	01306830	4.56
0-6 l/min	1	01306832	4.60

For direct replacement of dirty flowmeters or to upgrade from a lockshield kit. Offers the same functionality as a lockshield with the additional feature of a visual flow rate. Code 01306830 0-4 l/min is a direct replacement for Topway Type 2 standard supply.



Manifold Spares (continued)**Topway lockshield / flow meter seat**

Description	Connection	Pcs/Pack	Code	Unit Price £
T2 Topway Manifolds				
For 1" manifolds	½" MBSP - 24x19	1	01306312	3.52
For 1¼" manifolds	½" MBSP - 24x19	1	01306316	4.10
T2 Topway Plus Manifolds				
For 1" manifolds	½" MBSP - 24x19	1	01306812	4.44

Topway thermostatic replacement kit

Description	Connection	Pcs/Pack	Code	Unit Price £
T2 Topway Manifolds				
For 1" manifolds	½" MBSP - 24x19	1	01306114	7.40
For 1¼" manifolds	½" MBSP - 24x19	1	01306118	7.85
T2 Topway Plus Manifolds				
For 1" manifolds	½" MBSP - 24x19	1	01306816	7.31

Topway blue cap for electrothermic valves

Description	Pcs/Pack	Code	Unit Price £
Electrothermic valve cap	1	90004470	0.25

NOTE: This should only be used temporarily until the electrothermic head is installed. For permanent capping, use code 01306112 shown below.

Topway hand wheel for manual control

Description	Pcs/Pack	Code	Unit Price £
Manual electrothermic valve head	1	01306112	1.61

For use where no electrothermic head is to be used, but manual control is required.

Topway red cap for lockshield valves

Description	Pcs/Pack	Code	Unit Price £
Replacement lockshield cap	1	90023360	0.36

Tecno-Varia auto air vent

Description	Pcs/Pack	Code	Unit Price £
T2 Topway Manifolds			
½"	1	00400004	6.24
T2 Topway Plus Manifolds			
½"	1	00400020	7.36

Combines manual and automatic venting functions.

Manual Bleed Valve

Description	Pcs/Pack	Code	Unit Price £
½"	1	00410021	1.08

Manual bleed valve.



Manifold Spares (continued)

Drain/fill valve, nickel-plated



Description	Pcs/Pack	Code	Unit Price £
T2 Topway Manifolds ½"	1	90011790	9.78
T2 Topway Plus Manifolds ½"	1	01306824	12.18

½" M connection with ¾" hose connection. Allows easy pipe connection with 360° orientation.

Temperature gauge Ø 40



Description	Pcs/Pack	Code	Unit Price £
0-80 °C	1	90006860	5.35

For installation into a ½" manifold tapping, use ½" temperature gauge pocket, code 90026530 and O-ring pocket seal code 90047400.



System Components



System Components Overview

A full range of system components including Heat Interface Unit's (HIU's) and supporting accessories, expansion vessels, sealed system components and a wide range of ball valves.

Heat Interface Units

In the pursuit of energy efficiency, district heating schemes supplied from a combination of traditional and renewable energy sources are becoming the industry norm for new build developments. HIUs give consultants and engineers a reliable, eco friendly solution, which provide efficient temperature control and user comfort.

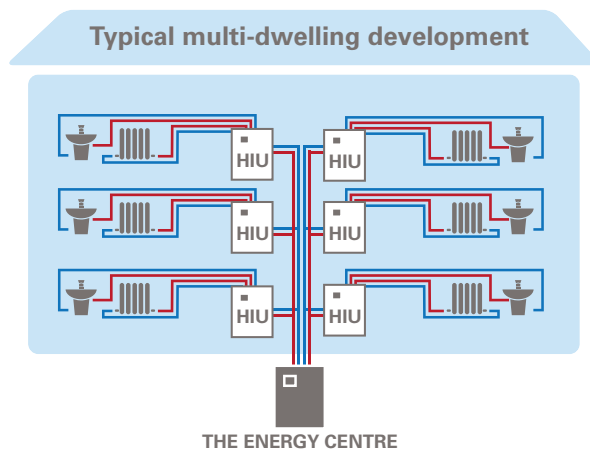
Emmeti UK's Heat Interface units (HIUs) suit a variety of applications:

- Single or multi-dwelling houses
- Apartments
- Industrial applications
- Commercial applications
- District heating systems

This example shows an energy centre providing one heat source for all individual apartments and flats which reduces energy costs and the carbon footprint.

Other benefits include:

- Accurate consumption and running costs are provided
- Annual servicing costs reduced significantly
- Reduced gas consumption
- Instantaneous DHW is achieved using temperature regulation
- Additional wireless control options

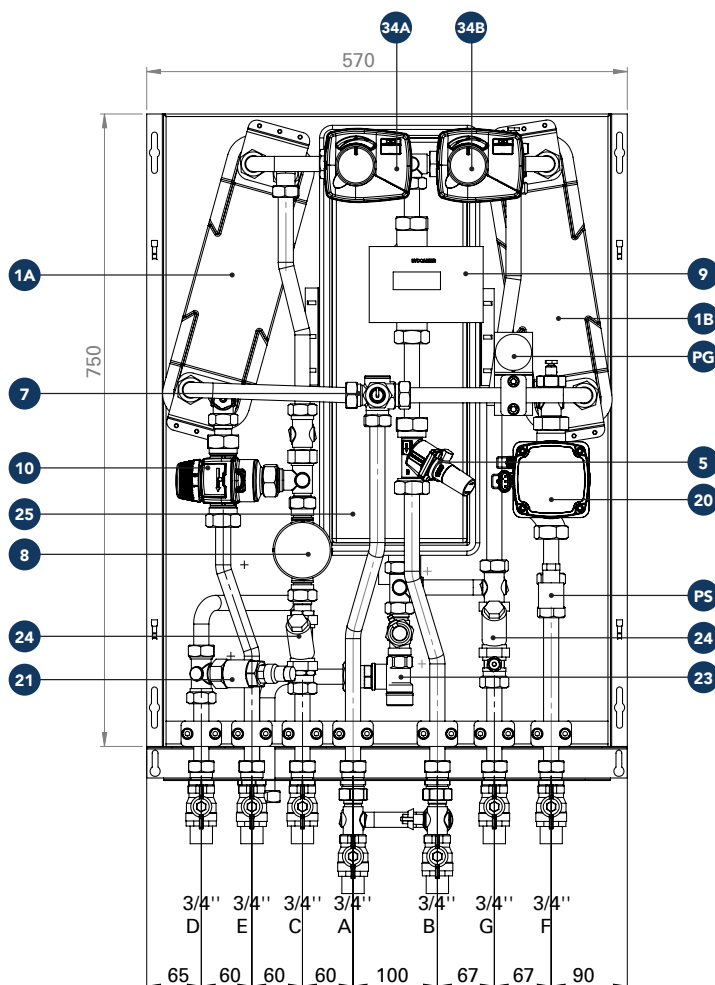


Example: Indirect Twin HIU Unit

No Components

- 1A Heat Exchanger (DHW)
- 1B Heat Exchanger (Heating)
- 5 Differential Pressure Controller
- 7 5 Way Distributor + Strainer
- 8 Water Meter
- 9 Heat Meter
- 20 Heating Circulation Pump
- 21 Check Valve
- 23 Safety Valve
- 24 Strainer
- 25 Expansion Tank
- 34A Hot Water Actuator
- 34B Heating Actuator
- PG Pressure Gauge
- PS Pressure Switch
- 10 Mixing Valve

- A Central Heating Supply
- B Central Heating Return
- C Domestic Cold Water Inlet
- D Domestic Cold Water Outlet
- E Domestic Hot Water
- F Space Heating Supply
- G Space Heating Return



Heat Interface Units



Emmeti UK's Heat Interface Units (HIU) suit a variety of applications: single or multi-dwelling houses, apartments, industrial and commercial applications and district heating systems. The HIU's are compact in size, adaptable for individual application and have low standby running costs. Wireless and weather compensation controls can be fitted to the system for added control.

Smart System Components



A range of components for use with the Heat Interface Units including electronic actuators for ultraresponsive hot water and heating actuation, heat & water meters, a weather compensating controller and pre-piping jigs for site installation

Sealed System Components (Heating)



A range of components required for sealed heating systems including 6-300 litre expansion vessels and system filling kits.

Expansion Vessels for Potable Water Applications



A range of WRAS approved potable expansion vessels suitable for sanitary applications. Available in sizes from 0.16 litres, designed to prevent water hammer in systems connected to a mains water supply; through to 5000 litres designed to absorb the expansion of heated water in a potable water system.

Top Range of Dial Up Reducers



A range of WRAS approved top dial pressure reducers, available between ½, ¾" and 1". Pipe union connectors are also available. Adjustable from 1 to 6 bar outlet pressure with top dial-up setting and include a built-in serviceable stainless steel filter and a gauge port (blanked off) either side.



Buyers Guide 2018

Motorised Ball Valves



A range of 230V motorised valves available in 2 port zone or 3 port diverter options. Sizes between ½" 1", 1¼" and 2". A range of separate valvebodies and insulating shells suitable for all sizes

Ball Valves



Emmeti offer a range of light pattern and heavy pattern ball valves, all available with either lever or butterfly handle in sizes ½" to 2".

Included in this range also is a selection of Top Range ball valves, when used with a Monoblocco connector allows ball valves to be fitted in line with non-standard pipes like MLCP MultiLayer composite pipe, PERT, PB or PEX pipe.

Threaded Fittings



A range of 24x19 threaded fittings including straights, elbows and tees, nickel plated, BSP joint combinations from ½" to 1" sizes.

Low Loss Headers



A low loss header is designed to ensure an even flow of water through the primary circuit whilst ensuring a constant temperature delivery to the downstream system (e.g. Underfloor Heating and radiator circuits). Ideal for use with heat pump systems.

System Accessories



A range of components and accessories, including air vents, in-line deaerators and pressure gauges.



Heat Interface Units

Indirect Twin HIU



Description	Pcs/Pack	Code	Unit Price £
Indirect Twin HIU	1	U2000000	3,059.00

Heat Interface Unit with two plate heat exchangers, to supply instantaneous heat transfer to DHW and CH independently. Includes 12L expansion vessel, circulating pump for heating, thermostatic mixing valve for DHW, filling loop, air vents and temp/pressure gauge. Heat delivery up to 70kW, max primary pressure 10 bar, max secondary pressure 3 bar (heating), min working pressure 2bar (DHW), max working temperature 95°C.

See Smart System Components for control, metering accessories etc.

Indirect Single HIU



Description	Pcs/Pack	Code	Unit Price £
Indirect Single HIU	1	U2000001	2,251.00

Heat Interface Unit with one heat exchanger for instantaneous central heating. Includes 12L expansion vessel, circulating pump for heating, air vents and temp/pressure gauge. Heat delivery up to 70kW, max primary pressure 10 bar, max secondary pressure 3 bar (heating) max working temperature 95°C.

See Smart System Components for control, metering accessories etc.

Indirect Heating - Direct DHW to Cylinder



Description	Pcs/Pack	Code	Unit Price £
Indirect Heating - Direct DHW to Cylinder	1	U2000002	2,636.00

Heat Interface Unit with one heat exchanger for instantaneous heating. Includes take off connections for HW cylinder, 12L expansion vessel, circulating pump for heating, air vents and temp/pressure gauge. Heat delivery up to 60kW, max primary pressure 10 bar, max secondary pressure 3 bar (heating) max working temperature 95°C.

See Smart System Components for control, metering accessories etc.

Indirect DHW - Direct Heating



Description	Pcs/Pack	Code	Unit Price £
Indirect DHW - Direct Heating	1	U2000003	2,309.00

Heat Interface Unit with one heat exchanger for instantaneous DHW. Central heating is achieved directly from the primary district heating system. Includes thermostatic mixing valve for DHW, temp/pressure gauge, heating and hot water control valves. Heat delivery up to 70kW, max primary pressure 10 bar, max secondary pressure 3 bar (heating) min working pressure 2 bar (DHW) max working temperature 95°C.

See Smart System Components for control, metering accessories etc.



Smart Systems Components

HIU Hot Water Actuator



Description	Pcs/Pack	Code	Unit Price £
HIU Hot Water Actuator	1	U2000004	442.00

HIU Hot Water Actuator is a constant flow temperature controller for applications where a constant water temperature is required. Temperature adjustment is made by an easy-to-use joystick and display interface. Complete with remote sensor and sensor pocket.

HIU Heating Actuator



Description	Pcs/Pack	Code	Unit Price £
HIU Heating Actuator	1	U2000005	423.20

The HIU Heating Actuator a constant flow temperature controller for applications where a constant water temperature is required.

Temperature adjustment is made by an easy-to-use joystick and display interface.

HIU Weather Compensating Heating Actuator



Description	Pcs/Pack	Code	Unit Price £
HIU Weather Compensating Actuator	1	U2000006	530.90

The HIU Weather Compensating Heating Actuator is an outdoor sensor based controller with integrated actuator. The regulation is based on outdoor sensor feedback and an adjustable characteristic heating curve. An offset / parallel adjustment of the characteristic heating curve may be activated by an external signal for example night settings.

HIU Heat Meter



Description	Pcs/Pack	Code	Unit Price £
HIU Heat Meter	1	U2000007	573.20

Heat Meters are used to measure the distribution of heat energy in heating control systems. The Heat Meter used in our HIUs has MBUS feedback allowing remote recording of energy usage via Ethernet for billing purposes.

JIG for HIU



Description	Pcs/Pack	Code	Unit Price £
Jig For Single Plate HIU	1	U2000008	188.50
Jig For Twin Plate HIU	1	U2000009	342.40

A Jig is available for both Single and Twin plate HIUs. The Jig allows first fix pipework to be accurately installed prior to hanging the HIU.

A bypass connection is fitted to facilitate the flushing and pressure testing of the heat network primary pipework.

HIU Heating Actuator



Description	Pcs/Pack	Code	Unit Price £
HIU Water Meter	1	U2000010	188.50

Water meters are used to measure the water consumption in HIU's with instantaneous DHW production capabilities.

Sealed System Components (Heating)

Sealed System Kit



Certificate No.
1606307



Description	Pcs/Pack	Code	Unit Price £
With expansion vessel bracket	1	01306406	82.46
Without expansion vessel bracket	1	01306408	66.55

Kit consists of: 15mm compression filling loop, c/w with a double check valve with integrated mini ball valve, 40cm aluminium braided EPDM hose and second mini ball valve; 3 bar safety valve; 0-4 bar pressure gauge and 4-way connector.

Sealed heating system kit expansion vessels without support bracket



Description	Pcs/Pack	Code	Unit Price £
6	1	00103006	42.30
8	1	00103008	42.30
10	1	00103010	47.59
12	1	00103012	48.13
18	1	00103018	52.87
24	1	00103024	61.36

Vessels up to 24 litres should be used with the sealed system kit 01306406, shown above. The bracket provided in the kit will support the vessel and control kit. All models made according to 97/23/EC Directive.

Sealed system kit expansion vessels



Description	Pcs/Pack	Code	Unit Price £
35 (no support)	1	00102400	105.30
50 (no support)	1	00102405	128.10
35 with base support ring	1	00102500	124.40
50 with base support ring	1	00102505	156.00

35 litre 00102500 and 50 litre 00102505 vessels are provided with an integrated base support ring, floor standing, to carry the weight of a full vessel. Vessel bracket 90023900 and sealed system kit 01306406 are not suitable for supporting 35 and 50 litre vessels. These units will need to be supported on site by other means, or purchase supporting ring version. All models made according to 97/23/EC Directive.

Sealed system kit expansion vessels with integrated support



Description	Pcs/Pack	Code	Unit Price £
80	1	00102410	217.90
100	1	00102415	253.90
150	1	00102420	359.60
200	1	00102425	470.70
250	1	00102430	594.90
300	1	00102435	697.90

All models made according to 97/23/EC Directive.



Sealed System Components (Heating) (continued)

Filling loop



Certificate No.
1606307



Description	Pcs/Pack	Code	Unit Price £
15mm	1	90023880	46.38

15mm copper compression filling loop, c/w double check valve, with integrated mini ball valve, 40cm aluminium braided EPDM hose and second mini ball valve.

Pressure gauge with axial connection



Description	Pressure	Pcs/Pack	Code	Unit Price £
1/4" x 50mm	4 bar	1	00616020	6.27

Heating vessel bracket



Description	Pcs/Pack	Code	Unit Price £
Heating vessel bracket	1	90023900	19.82

Supplied with screw and rawlplug kit.
Suitable for vessels up to 24L only.

Automatic filling valve



Description	Pcs/Pack	Code	Unit Price £
1/2" without pressure gauge	1	00200514	53.54
1/2" with pressure gauge	1	00200614	60.72

Simple pressure reducer with built-in single check, isolator and gauge port. Used in conjunction with a sealed system kit to reach the required sealed system pressure automatically. When fitted with a type CA WRAS approved backflow device, can be left permanently connected. This ensures a maintained set system pressure.

Expansion Vessels for Potable Water Applications

Potable expansion vessel suitable for sanitary application



Certificate No.
1706702



Description	Colour	Pcs/Pack	Code	Unit Price £
0.16 litres	Grey	1	01062012	47.08

Designed to prevent water hammer in systems connected to a mains water supply.

Max working pressure 20 bar
Standard pre set pressure 3.5 bar
Working temperature -10°C +100°C
Body material 304 L stainless steel
Membrane EPDM
Connection 1/2" MBSP

Certified 97/23/EC.

Expansion Vessels for Potable Water Applications (continued)

Potable expansion vessels suitable for sanitary application



Certificate No.
1706702



Description	Colour	Pcs/Pack	Code	Unit Price £
2 litres	Grey	1	00800002	41.00
5 litres	Grey	1	00800005	43.89
8 litres	Grey	1	00800008	48.38
12 litres	Grey	1	00800012	54.72
18 litres	Grey	1	00800019	59.22
24 litres	Grey	1	00800021	71.40

Designed to absorb the expansion of heated water in a potable water system.
Max working pressure 10 bar
Standard pre set pressure 2.5 bar (3.5 bar for 2 L and 5 L sizes)
Working temperature -10°C +100°C
Membrane butyl rubber up to 12 L, EPDM 18 L-24 L
Connection ¾" MBSP (½" for 2 L size)
Certified 97/23/EC.

Potable expansion vessel bracket



Description	Pcs/Pack	Code	Unit Price £
Expansion vessel bracket	1	01306436	21.81

Suitable for all vessels up to 24 litres (260mm dia), with connection size ¾" and 1" MBSP.

Potable expansion vessels suitable for sanitary application



Certificate No.
1706702



Description	Colour	Pcs/Pack	Code	Unit Price £
35 litres	Blue	1	00800590	185.20
50 litres	Blue	1	00800600	198.40
60 litres	Blue	1	00800605	324.80
80 litres	Blue	1	00800610	312.10
100 litres	Blue	1	00800615	372.80
150 litres	Blue	1	00800620	626.60
200 litres	Blue	1	00800625	766.70
300 litres	Blue	1	00800630	999.40

Designed to absorb the expansion of heated water in a potable water system.
Vessels are supplied with supporting feet.
Max working pressure 10 bar
Standard pre set pressure 1.5 bar for 35 L - 80 L sizes
2.5 bar for 100 L - 300 L sizes
Working temperature -10°C +100°C
Membrane EPDM
Connection 1" MBSP 35 L - 150 L sizes, 1¼" MBSP 200 L - 300 L sizes
Certified 97/23/EC.

Potable expansion vessels suitable for sanitary application



Certificate No.
1706702



Description	Colour	Pcs/Pack	Code	Unit Price £
750 litres	Blue	1	00800645	4,595.00
1000 litres	Blue	1	00800650	5,225.00
1500 litres	Blue	1	00800655	7,332.00
2000 litres	White	1	00800660	15,782.00
3000 litres	White	1	00800670	23,679.00
5000 litres	White	1	00800680	36,523.00

Designed to absorb the expansion of heated water in a potable water system.
Vessels are supplied with supporting feet.

Max working pressure 10 bar
Standard pre set pressure 2.5 bar
Working temperature -10°C +50°C
Membrane EPDM 750 L - 1500 L sizes
Butyl rubber 2000 L - 5000 L sizes
Connection 2" MBSP 750 L size, 2½" MBSP 1000 L - 1500 L sizes
DN65 2000 L - 5000 L sizes

Certified 97/23/EC.



Top Range of Dial Up Pressure Reducers

Top dial up cold water pressure reducer, transparent filter inspection cover



Certificate No.
1403704



Description	Pcs/Pack	Code	Unit Price £
½" M-M Union	1	28103450	63.16
¾" M-M Union	1	28103452	66.89
1" M-M Union	1	28103454	80.73

Simple dial up pressure setting design, with integrated serviceable filter, and a blanked off gauge port on either side. Comes complete with pipe union connectors.

Maximum upstream pressure 16 bar.

Adjustable downstream pressure 1-6 bar.

Maximum temperature 30°C.

Motorised Ball Valves

These motorised ball valves are available as two port zone valves or three port diverter valves. They are 'motor open' and 'motor close' valves and cannot be used as mid-position or mixing valves.

IP 55



If installed as shown in this image the actuator will be protected against limited dust ingress and small jets of water from all direction.

IP 50



If installed as shown in these images the actuator will remain protected against limited dust ingress but will have no protection against water ingress. (Not recommended)



Modulo Compact 230V 2-way motorised ball valve with pipe union connection nut and tailpiece



Description	Ways	Pcs/Pack	Code	Unit Price £
½"	2	1	01425800	176.90
¾"	2	1	01425802	192.60
1"	2	1	01425804	217.50

Modulo Compact 230V 2-way motorised ball valve with female - female thread



Description	Ways	Pcs/Pack	Code	Unit Price £
½"	2	1	01425820	169.40
¾"	2	1	01425822	179.60
1"	2	1	01425824	200.40

Modulo Compact 230V 3-way diverter with pipe union connection nut and tailpiece



Description	Ways	Pcs/Pack	Code	Unit Price £
½"	3	1	01425806	190.50
¾"	3	1	01425808	216.20
1"	3	1	01425810	253.90

Cannot be used as a mid-position or mixing valve.

Modulo Compact 230V 3-way diverter with female - female thread



Description	Ways	Pcs/Pack	Code	Unit Price £
½"	3	1	01425826	180.10
¾"	3	1	01425828	196.70
1"	3	1	01425830	222.00

Cannot be used as a mid-position or mixing valve.

Motorised Ball Valves (continued)

These motorised ball valves are available as two port zone valves or three port diverter valves. They are 'motor open' and 'motor close' valves and cannot be used as mid-position or mixing valves.

IP 55



If installed as shown in this image the actuator will be protected against limited dust ingress and small jets of water from all direction.

IP 50



If installed as shown in these images the actuator will remain protected against limited dust ingress but will have no protection against water ingress. (Not recommended)



Modulo Plus 230V 2-way motorised ball valve with pipe union connection nut and tailpiece



Description	Ways	Pcs/Pack	Code	Unit Price £
1¼"	2	1	01425700	362.80
1½"	2	1	01425702	443.60
2"	2	1	01425704	560.70

Modulo Plus 230V 3-way diverter with pipe union connection nut and tailpiece



Description	Ways	Pcs/Pack	Code	Unit Price £
1¼"	3	1	01425710	416.80
1½"	3	1	01425712	353.30
2"	3	1	01425714	720.50

Cannot be used as a mid-position or mixing valve.

Modulo Plus 230V 2-way motorised ball valve with female - female thread



Description	Ways	Pcs/Pack	Code	Unit Price £
1¼"	2	1	01425730	331.10
1½"	2	1	01425732	380.00
2"	2	1	01425734	435.90

Modulo Plus 230V 3-way diverter with female - female thread



Description	Ways	Pcs/Pack	Code	Unit Price £
1¼"	3	1	01425740	366.20
1½"	3	1	01425742	436.80
2"	3	1	01425744	537.90

Cannot be used as a mid-position or mixing valve.



Motorised Ball Valves (continued)

Actuator for Modulo Compact



Description	Pcs/Pack	Code	Unit Price £
2-way - 230V, 8 Nm	1	01425860	126.00
3-way - 230V, 8 Nm	1	01425862	126.00
4-way - 230V, 8 Nm	1	01425864	126.30
2-way - 24V, 8 Nm	1	01425866	129.80
3-way - 24V, 8 Nm	1	01425868	129.80
4-way - 24V, 8 Nm	1	01425870	129.80

Suitable for valve bodies up to 1".

Actuator for Modulo Plus



Description	Pcs/Pack	Code	Unit Price £
2-way - 230V, 28 Nm	1	01420170	240.80
3-way - 230V, 28 Nm	1	01420172	240.50

Body for Modulo Compact and Modulo Plus 2-way motorised ball valves with pipe union connection nut and tailpiece



Description	Ways	Pcs/Pack	Code	Unit Price £
½"	2	1	90021400	38.10
¾"	2	1	90021410	50.73
1"	2	1	90021420	71.05
1¼"	2	1	90021430	96.44
1½"	2	1	90021440	161.20
2"	2	1	90021450	255.30

½" - 1" suitable for Modulo Compact.

1¼" - 2" suitable for Modulo Plus.

Body for Modulo Compact and Modulo Plus 3-way diverter with pipe union connection nut and tailpiece



Description	Ways	Pcs/Pack	Code	Unit Price £
½"	3	1	90021320	49.07
¾"	3	1	90021460	70.00
1"	3	1	90021470	100.20
1¼"	3	1	90021480	140.00
1½"	3	1	90021490	233.40
2"	3	1	90021500	381.80

½" - 1" suitable for Modulo Compact.

1¼" - 2" suitable for Modulo Plus.

Body for Modulo Compact and Modulo Plus 2-way motorised ball valves with female - female thread



Description	Ways	Pcs/Pack	Code	Unit Price £
½"	2	1	90021200	30.04
¾"	2	1	90021210	38.21
1"	2	1	90021220	54.90
1¼"	2	1	90021230	68.83
1½"	2	1	90021240	108.00
2"	2	1	90021250	151.90

½" - 1" suitable for Modulo Compact.

1¼" - 2" suitable for Modulo Plus.

Motorised Ball Valves (continued)

Body for Modulo Compact and Modulo Plus 3-way diverter with female - female thread



Description	Ways	Pcs/Pack	Code	Unit Price £
½"	3	1	90021310	38.68
¾"	3	1	90021260	51.89
1"	3	1	90021270	72.29
1¼"	3	1	90021280	97.03
1½"	3	1	90021290	152.80
2"	3	1	90021300	233.50

½" - 1" suitable for Modulo Compact.
1¼" - 2" suitable for Modulo Plus.

Insulating shells for Modulo Compact and Modulo Plus bodies and actuator



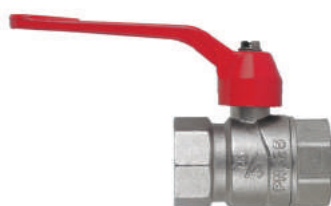
Description	Pcs/Pack	Code	Unit Price £
For ball valve 2 ways ½"	1	90045150	6.43
For ball valve 2 ways ¾"	1	90045160	8.98
For ball valve 2 ways 1"	1	90045170	12.81
For ball valve 3 ways ½"	1	90045210	8.98
For ball valve 3 ways ¾"	1	90045220	10.43
For ball valve 3 ways 1"	1	90045230	14.91
For ball valve 2 ways 1¼"	1	90045180	14.48
For ball valve 2 ways 1½"	1	90045190	16.35
For ball valve 2 ways 2"	1	90045200	18.03
For ball valve 3 ways 1¼"	1	90045240	15.98
For ball valve 3 ways 1½"	1	90045250	21.38
For ball valve 3 ways 2"	1	90045260	25.92
For Modulo Compact motorised valve actuator	1	90045270	15.76

½" - 1" suitable for Modulo Compact Valves.
1¼" - 2" suitable for Modulo Plus Valves.

Ball Valves

Perfecta ball valves have a standard bore, sized from ½" to 2". They are made of CW617N brass, to EN12165, BSP threaded to ISO228/1 (DIN 259).

Ball valve with female - female BSP connections, red aluminium lever handle



Description	Pcs/Pack	Code	Unit Price £
½" F	1	8363R004	5.14
¾" F	1	8363R005	7.02
1" F	1	8363R006	11.23
1¼" F	1	8363R007	17.75
1½" F	1	8363R008	28.31
2" F	1	8363R009	43.31

See extension kit for handle on page 118, used to raise handle away from body.

Ball valve with female - male BSP connections, red aluminium lever handle



Description	Pcs/Pack	Code	Unit Price £
½" M x F	1	8364R004	5.54
¾" M x F	1	8364R005	7.36
1" M x F	1	8364R006	11.97
1¼" M x F	1	8364R007	18.57
1½" M x F	1	8364R008	29.79
2" M x F	1	8364R009	45.14

See extension kit for handle on page 118, used to raise handle away from body.
2" valve is pressure rated to PN16.



Ball Valves (continued)

Ball valve with female - BSP pipe union, red aluminium lever handle



Description	Pcs/Pack	Code	Unit Price £
½" F x MU	1	8372R004	8.49
¾" F x MU	1	8372R005	11.88
1" F x MU	1	8372R006	18.50
1¼" F x MU	1	8372R007	28.31

See extension kit for handle on page 118, used to raise handle away from body.

Ball valve with female - female BSP connections, steel lever handle, with red plastic sleeve



Description	Pcs/Pack	Code	Unit Price £
½" F	1	8360R004	5.44
¾" F	1	8360R005	7.32
1" F	1	8360R006	11.76
1¼" F	1	8360R007	18.76
1½" F	1	8360R008	28.84
2" F	1	8360R009	43.83

See extension kit for handle on page 118, used to raise handle away from body.

Ball valve with female - male BSP connections, steel lever handle, with red plastic sleeve



Description	Pcs/Pack	Code	Unit Price £
½" M x F	1	8361R004	5.84
¾" M x F	1	8361R005	7.67
1" M x F	1	8361R006	12.44
1¼" M x F	1	8361R007	19.06
1½" M x F	1	8361R008	30.31
2" M x F	1	8361R009	45.65

See extension kit for handle on page 118, used to raise handle away from body.

Straight Perfecta ball valve with female - female BSP connections



Description	Handle	Pcs/Pack	Code	Unit Price £
½" F - F	Red	1	8366R004	5.14
¾" F - F	Red	1	8366R005	7.06
1" F - F	Red	1	8366R006	11.28
1" F - F	Blue	1	8370R006	11.28
1¼" F - F	Red	1	8366R007	17.75

Aluminium butterfly handle. See extension kit for handle on page 118, used to raise handle away from body.

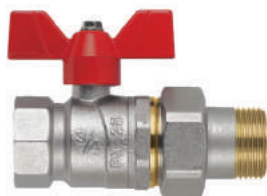
Straight Perfecta ball valve with female - male BSP connections



Description	Handle	Pcs/Pack	Code	Unit Price £
½" M - F	Red	1	8367R004	5.54
¾" M - F	Red	1	8367R005	7.36
1" M - F	Red	1	8367R006	12.01
1" M - F	Blue	1	8368R006	12.01
1¼" M - F	Red	1	8367R007	18.57

Aluminium butterfly handle. See extension kit for handle on page 118, used to raise handle away from body.

Straight Perfecta ball valve with female - male pipe union



Description	Handle	Pcs/Pack	Code	Unit Price £
½" F - MU	Red	1	8373R004	8.49
¾" F - MU	Red	1	8373R005	11.93
1" F - MU	Red	1	8373R006	18.50
1" F - MU	Blue	1	8374R006	18.53
1¼" F - MU	Red	1	8373R007	28.35

Aluminium butterfly handle. See extension kit for handle on page 118, used to raise handle away from body. Pipe union straight thread.

Ball Valves (continued)

Pair straight Perfecta ball valves with pipe union, aluminium butterfly handle



Size	Pcs/Pack	Code	Pair Price £
1" F - MU	1	9721R006	41.95
1" F - MU c/w temperature gauges	1	9720R006	56.84

Boxed as a pair, with red and blue handles. Parallel thread pipe union with O-ring sealing faces.

Ball valve with female - female connections, aluminium lever handle



Description	Pcs/Pack	Code	Unit Price £
1/4"	1	80001014	6.12
3/8"	1	80001038	5.64
1/2"	1	80001012	6.94
3/4"	1	80001034	10.57
1"	1	80001100	17.06
1 1/4"	1	80001114	25.83
1 1/2"	1	80001112	36.87
2"	1	80001200	61.05

See extension kit for handle on page 118, used to raise handle away from body.

Ball valve with pipe union, aluminium lever handle



Description	Pcs/Pack	Code	Unit Price £
1/2"	1	80005013	10.53
3/4"	1	80005035	15.51
1"	1	80005101	24.19
1 1/4"	1	80005115	35.62

See extension kit for handle on page 118, used to raise handle away from body.

Ball valve with female - female connections, aluminium butterfly handle



Description	Pcs/Pack	Code	Unit Price £
1/4"	1	80001015	6.17
3/8"	1	80001039	5.68
1/2"	1	80001013	6.98
3/4"	1	80001035	10.57
1"	1	80001101	17.11
1 1/4"	1	80001115	25.87

See extension kit for handle on page 118, used to raise handle away from body.

Ball valve with female - male connections, aluminum butterfly handle



Description	Pcs/Pack	Code	Unit Price £
1/4"	1	80004015	6.26
3/8"	1	80004039	6.17
1/2"	1	80004013	7.23
3/4"	1	80004035	10.76
1"	1	80004101	17.26
1 1/4"	1	80004115	26.61

See extension kit for handle on page 118, used to raise handle away from body.



Ball Valves (continued)

Ball valve with pipe union, aluminium butterfly handle



Description	Pcs/Pack	Code	Unit Price £
½"	1	80005012	10.53
¾"	1	80005034	15.51
1"	1	80005100	24.19
1¼"	1	80005114	35.66

See extension kit for handle on page 118, used to raise handle away from body.

Ball valve with female - female connections, steel lever handle with plastic sleeve



Description	Pcs/Pack	Code	Unit Price £
¼"	1	80008014	6.22
⅜"	1	80008038	5.73
½"	1	80008012	7.33
¾"	1	80008034	10.92
1"	1	80008100	17.74
1¼"	1	80008114	26.37
1½"	1	80008112	37.45
2"	1	80008200	61.63

Ball valve with female - male connections, steel lever handle with plastic sleeve



Description	Pcs/Pack	Code	Unit Price £
¼"	1	80008514	6.36
⅜"	1	80008538	6.26
½"	1	80008512	7.57
¾"	1	80008534	11.11
1"	1	80008600	17.88
1¼"	1	80008614	27.09
1½"	1	80008612	38.53
2"	1	80008700	64.10

Tapered thread.

Right angle ball valve with female - female connections, painted aluminium butterfly handle



Description	Pcs/Pack	Code	Unit Price £
½"	1	6770R104	9.61
¾"	1	6770R105	13.20
1"	1	6770R106	21.12

See extension kit for handle on page 118, used to raise handle away from body.

Right angle ball valve with male - female connections, painted aluminium butterfly handle



Description	Pcs/Pack	Code	Unit Price £
½"	1	6771R104	9.46
¾"	1	6771R105	13.13
1"	1	6771R106	21.47

See extension kit for handle on page 118, used to raise handle away from body.
Tapered male thread.

Right angle ball valve with female - male connections, painted aluminium butterfly handle



Description	Pcs/Pack	Code	Unit Price £
½"	1	6772R104	9.65
¾"	1	6772R105	13.24
1"	1	6772R106	21.43

See extension kit for handle on page 118, used to raise handle away from body.
Tapered male thread.

Ball Valves (continued)**Right angle ball valve with male - male connections, painted aluminium butterfly handle**

Description	Pcs/Pack	Code	Unit Price £
½"	1	6773R104	9.50
¾"	1	6773R105	13.20
1"	1	6773R106	21.77

See extension kit for handle on page 118, used to raise handle away from body.
Tapered male thread.

Right angle ball valve with male pipe union - female connections, painted aluminium butterfly handle

Description	Pcs/Pack	Code	Unit Price £
½"	1	6774R076	12.47
¾"	1	6774R080	17.55
1"	1	6774R084	28.02

See extension kit for handle on page 118, used to raise handle away from body.

Right angle ball valve with male pipe union - male connections, painted aluminium butterfly handle

Description	Pcs/Pack	Code	Unit Price £
½"	1	6775R076	12.51
¾"	1	6775R080	17.60
1"	1	6775R084	28.35

See extension kit for handle on page 118, used to raise handle away from body.
Tapered male thread

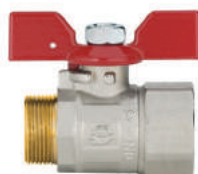
Right angle ball valve with female loose nut union - male connections, painted aluminium butterfly handle

Description	Pcs/Pack	Code	Unit Price £
½" M x ¾" R	1	6071R077	12.18
¾" M x 1" R	1	6071R081	16.68
1" M x 1¼" R	1	6071R085	26.56

See extension kit for handle on page 118, used to raise handle away from body.
Tapered male thread

Nickel-plated balls valve for copper pipe BS 864, complete with nut and olive, red painted butterfly handle

Description	Pcs/Pack	Code	Unit Price £
15x15	1	6012R515	9.22
22x22	1	6012R522	12.34

Male 24x19 - female BSP, nickel-plated, with red painted aluminium butterfly handle

Description	Pcs/Pack	Code	Unit Price £
½" - 24x19	1	6014R954	5.64
¾" - 24x19	1	6014R955	6.04



Ball Valves (continued)

Male 24x19 - male BSP, nickel-plated, with red painted aluminium butterfly handle



Description	Pcs/Pack	Code	Unit Price £
1/2" - 24x19	1	6018R954	5.84
3/4" - 24x19	1	6018R955	6.59

Top butterfly handle 24x19



Description	Pcs/Pack	Code	Unit Price £
24x19 - 24x19	1	6010R518	5.95

Top butterfly handle 24x19 female



Description	Pcs/Pack	Code	Unit Price £
1/2" F BSP - 24x19	1	6014R954	5.64
3/4" F BSP - 24x19	1	6014R955	6.04

Top butterfly handle 24x19 male



Description	Pcs/Pack	Code	Unit Price £
1/2" M BSP - 24x19	1	6018R954	5.84
3/4" M BSP - 24x19	1	6018R955	6.59

Extension kit for handle



Description	Pcs/Pack	Code	Unit Price £
1°	1	09008701	1.31
2° (*)	1	09008702	1.85
3°	1	09008703	2.22
4°	1	09008704	3.03

(*) Specify whether it is for M5 or M6 threaded valves in the order.

Extension kit compatibility by valve type

	1/2"	3/4"	1"	1 1/4"	1 1/2"	2"	2 1/2"	3"	4"
PERFECTA	1°	1°	2°	2°	3°	3°	-	-	-
EVOLUTION/ PROGRESS	1°	1°	2°	2°	3°	3°	4°	4°	4°

Ball Valves (continued)

Aluminium red lever handle



Description	Type	Pcs/Pack	Code	Unit Price £
1/2" - 3/4"	Perfecta	1	09008961	0.53
1" - 1 1/4"	Perfecta	1	09008962	0.68
1 1/2" - 2"	Perfecta	1	09008963	1.29
1/2" - 3/4"	Evolution / Progress	1	09008961	0.53
1" - 1 1/4"	Evolution / Progress	1	09008962	0.68
1 1/2" - 2"	Evolution / Progress	1	09008963	1.29
2 1/2" - 3"	Evolution / Progress	1	09008212	4.09
4"	Evolution / Progress	1	09008300	4.56
3/8" - 1/2"	Lever Ball Taps	1	09008960	0.53
3/4" - 1"	Lever Ball Taps	1	09008961	0.53
3/8" - 1/2" - 3/4" - 1"	Lever Ball Taps	1	09008961	0.53

Aluminium blue lever handle



Description	Type	Pcs/Pack	Code	Unit Price £
1/4" - 3/8" - 1/2" - 3/4"	Perfecta/Evolution	1	09008801	0.58
1" - 1 1/4"	Perfecta/Evolution	1	09008802	0.73
1 1/2" - 2"	Perfecta/Evolution	1	09008803	1.29

Steel red lever handle



Description	Type	Pcs/Pack	Code	Unit Price £
1/2" - 3/4"	Perfecta	1	4315T004	0.63
1" - 1 1/4"	Perfecta	1	4315T006	0.81
1 1/2" - 2"	Perfecta	1	4315T008	1.32
1/4" - 3/8" - 1/2" - 3/4"	Evolution	1	4315T004	0.63
1" - 1 1/4"	Evolution	1	4315T006	0.81
1 1/2" - 2"	Evolution	1	4315T008	1.32

Steel red lever handle



Description	Type	Pcs/Pack	Code	Unit Price £
15 - 22	Evol Comp	1	09008670	0.52

Aluminium red butterfly handle



Description	Type	Pcs/Pack	Code	Unit Price £
1/2" - 3/4"	Perfecta	1	09008216	0.58
1" - 1 1/4"	Perfecta	1	09008226	0.73
3/8" - 1/2"	Lever Ball Taps	1	09008200	0.45
3/4" - 1"	Lever Ball Taps	1	09008216	0.58
3/8" - 1/2" - 3/4" - 1"	Lever Ball Taps	1	09008216	0.58

Aluminium red butterfly handle



Description	Type	Pcs/Pack	Code	Unit Price £
15 - 22	Evol Comp	1	09008255	0.63

Aluminium blue butterfly handle



Description	Type	Pcs/Pack	Code	Unit Price £
1/4" - 3/8" - 1/2" - 3/4"	Evolution	1	09008210	0.58
1" - 1 1/4"	Evolution	1	09008220	0.73



Threaded Fittings

Elbow male-male BSP joint, nickel-plated



Certificate No.
1507073



Description	Thread	Pcs/Pack	Code	Unit Price £
½" M BSP	24x19	1	28103140	3.09
¾" M BSP	24x19	1	28103150	3.90
¾" M BSP	32x1.5	1	28103160	4.23
1" M BSP	32x1.5	1	28103170	6.35

Elbow male-male joint, nickel-plated



Certificate No.
1507073



Description	Thread	Pcs/Pack	Code	Unit Price £
24x19	24x19	1	28103180	3.18
32x1.5	32x1.5	1	28103190	4.98

Tee joint male-male-female BSP, nickel-plated



Certificate No.
1507073



Description	Thread	Pcs/Pack	Code	Unit Price £
½" F BSP	24x19	1	28103200	4.30
¾" F BSP	24x19	1	28103210	5.54

Tee joint male-male-male BSP, nickel-plated



Certificate No.
1507073



Description	Thread	Pcs/Pack	Code	Unit Price £
½" M BSP	24x19	1	28103240	4.21
¾" M BSP	24x19	1	28103250	5.08
¾" M BSP	32x1.5	1	28103260	6.08

Tee joint male-male-male, nickel-plated



Certificate No.
1507073



Description	Thread	Pcs/Pack	Code	Unit Price £
24x19	24x19	1	28103280	3.95

Elbow joint female BSP - male with flange, nickel-plated



Certificate No.
1507073



Description	Thread	Pcs/Pack	Code	Unit Price £
½" F BSP	24x19	1	28103300	4.98

Galvanized bracket for flanged elbow



Description	Pcs/Pack	Code	Unit Price £
Flanged elbow bracket	1	28100822	2.82

Threaded Fittings (continued)

Straight fitting female 24x19 - male 32x1.5



Certificate No.
1507073



Description	Pcs/Pack	Code	Unit Price £
24x19 - 32x1.5	1	01306252	7.85

Complete with O-ring and adaptor for female connection

Straight male fitting 1/2" - 32x1.5



Certificate No.
1507073



Description	Pcs/Pack	Code	Unit Price £
1/2" M BSP - 32x1.5	1	01306250	6.92

Complete with O-ring on 1/2" BSP male side.

Low Loss Headers

Open manifold (low loss header)



Description	Pcs/Pack	Code	Unit Price £
2 1/2" - 2+2	1	28151040	185.30

Supplied with 2 x swivel adaptors 1 1/4" M x 1" M (reducers), automatic air vent and drain/fill valve. Insulating shell available, see page 122.

Open manifold (low loss header)



Description	Pcs/Pack	Code	Unit Price £
2" 1/2 - 4+2	1	28151042	286.00

Supplied with 2 x swivel adaptors 1 1/4" M x 1" M (reducers), automatic air vent and drain/fill valve. Insulating shell available, see page 122.

Open manifold 2+2 Off set, takeoff Firstbox (low loss header)



Description	Pcs/Pack	Code	Unit Price £
3" 2+2+5 Off set	1	07400284	285.20

Supplied with 2 x swivel adaptors 1 1/4" M x 1" M (reducers), automatic air vent and drain/fill valve.

No insulation shell available.

Open manifold (low loss header)



Description	Pcs/Pack	Code	Unit Price £
2 1/2" - 2 + 2	1	28151048	192.20

Supplied with 2 x swivel adaptors 1 1/4" M x 1" M, automatic air vents and drain/fill valve.



Low Loss Headers (continued)

Insulating shell for Firstbox open manifold



Description	Pcs/Pack	Code	Unit Price £
Insulating shell	1	01306512	46.31

To be used with 28151040 Open manifold (low loss header). For use with 28151042 drill additional holes with a cutter.

In mesh expanded closed cell polyethylene.

Insulating shell for open manifold



Description	Pcs/Pack	Code	Unit Price £
2 1/2"	1	01306564	19.07

Insulating shell for use with code 28151048.

System Accessories

Sicura pressure relief valves



Description	Pressure	Pcs/Pack	Code	Unit Price £
1/2" F-F	3 bar	1	00205030	4.57
1/2" M-F	3 bar	1	00206030	4.61
1/2" F-F	6 bar	1	00205060	4.57
1/2" M-F	6 bar	1	00206060	4.57
3/4" F-F	3 bar	1	00202334	14.00
3/4" F-F	6 bar	1	00202634	14.00

Sicura pressure relief valves with special pressure settings



Description	Pressure	Pcs/Pack	Code	Unit Price £
1/2" F-F	1.5 bar	1	00205015	4.40
1/2" F-F	1.8 bar	1	00205018	4.49
1/2" F-F	2 bar	1	00205020	4.57
1/2" M-F	2 bar	1	00206020	4.57
1/2" F-F	2.5 bar	1	00205025	4.57
1/2" F-F	4 bar	1	00205035	4.66
1/2" M-F	4 bar	1	00206040	4.70

Sicura pressure relief valves with gauge fitting 1/4"



Description	Pressure	Pcs/Pack	Code	Unit Price £
1/2" F-F	3 bar	1	00206080	4.95
1/2" F-F	6 bar	1	00206082	4.95
1/2" M-F	3 bar	1	00206090	5.12
1/2" M-F	6 bar	1	00206092	5.12

Sicura pressure relief valves with pressure gauge



Description	Pressure	Pcs/Pack	Code	Unit Price £
1/2" F-F	3 bar	1	00206100	10.55

With gauge point 1/4" and 50mm pressure gauge 0-4 bar.

System Accessories (continued)

Tecno-Varia with dual venting facility



Description	Pcs/Pack	Code	Unit Price £
1/2" standard	1	00400004	6.24
3/8" reduced + bb*	1	00400000	5.57
3/8" standard + bb*	1	00400002	6.15
T2 Topway Plus Manifolds			
1/2"	1	00400020	7.36

* bubble-breaker.

With both manual and automatic venting, the manual cap on top allows manual venting for system commissioning.

Varia reduced with dual venting facility



Description	Pcs/Pack	Code	Unit Price £
3/8" + bb*	1	00400620	6.60

* bubble-breaker.

Varia standard with automatic bleed valve on top



Description	Pcs/Pack	Code	Unit Price £
1/2"	1	00400660	7.18

Varia maxi with automatic bleed valve on top



Description	Pcs/Pack	Code	Unit Price £
3/4"	1	00400340	10.01

Service check valve for Tecno-Varia and Varia



Description	Pcs/Pack	Code	Unit Price £
3/8" M x 3/8" F	1	00402060	1.61
1/2" M x 3/8" F	1	00402080	1.92
1/2" M x 1/2" F	1	00402100	2.11

Manual Bleed valve



Size	Pcs/Pack	Code	Unit Price £
1/4"	1	00410007	1.08
3/8"	1	00410011	1.44
1/2"	1	00410012	1.89

Manual Bleed valve and manual air vent



Description	Pcs/Pack	Code	Unit Price £
3/8"	1	00410019	1.08
1/2"	1	00410021	1.08



System Accessories (continued)

Key for operating bleed valves



Description	Pcs/Pack	Code	Unit Price £
Manual bleed key	1	00408230	0.18

In-Line Deaerators



Description	Pcs/Pack	Code	Unit Price £
½"	1	00406000	115.40
¾"	1	00406010	126.00
1"	1	00406020	140.80
1 ¼"	1	00406030	157.20
1 ½"	1	00406040	183.20
2"	1	00406050	206.30

In-line deaerators, designed to help eliminate micro-bubbles from heating and cooling systems. Features include 3 stage filter, removable cartridge, bi-directional flow and automatic venting. Pressure rating 10 bar, max temperature 110°C.

Y-type strainer female brass, sandblasted, 40 mesh stainless steel, FBSP thread



Description	Pcs/Pack	Code	Unit Price £
½"	1	01005012	7.13
¾"	1	01005034	11.74
1"	1	01005100	19.26
1 ¼"	1	01005114	25.68
1 ½"	1	01005112	32.15
2"	1	01005200	53.26
2 ½"	1	01005205	126.30

Capillary thermometer



Description	Pcs/Pack	Code	Unit Price £
52mm	1	00622056	11.04

1m capillary, with 25mm bulb, of 6.5mm DIA. Temperature 0-120°C.

Pressure gauge with radial connection



Description	Pressure	Pcs/Pack	Code	Unit Price £
¼" x 50mm	4 bar	1	00612452	6.27
¼" x 50mm	6 bar	1	00616024	6.27
T2 Topway Plus				
¼" x 50mm	6 bar	1	90063890	7.25
¼" x 63mm	2.5 bar	1	00612003	6.83
¼" x 63mm	4 bar	1	00612004	6.83
¼" x 63mm	6 bar	1	00612006	6.83
¼" x 63mm	10 bar	1	00612010	6.83
¼" x 63mm	16 bar	1	00612016	6.83
¼" x 63mm	25 bar	1	00612025	6.83
⅜" x 80mm	4 bar	1	00614004	13.50
⅜" x 80mm	6 bar	1	00614006	13.50
⅜" x 80mm	10 bar	1	00614010	13.50
⅜" x 80mm	16 bar	1	00614016	13.50
⅜" x 80mm	25 bar	1	00614025	13.50

System Accessories (continued)

Pressure gauge with axial connection



Description	Pressure	Pcs/Pack	Code	Unit Price £
1/4" x 50mm	4 bar	1	00616020	6.27
1/4" x 50mm	10 bar	1	00612442	6.27
1/4" x 63mm	4 bar	1	00616004	7.08
1/4" x 63mm	6 bar	1	00616006	7.08
1/4" x 63mm	10 bar	1	00616010	7.08

Casing in ABS plastic

Combined temperature and pressure gauge



Description	Pcs/Pack	Code	Unit Price £
1/4" M c/w 1/2" M check valve x 80mm	1	00600012	18.36
Radial connection	1	00602012	26.04

Pressure 4 bar Temperature 120 °C

Capillary combined temperature and pressure gauge



Description	Pcs/Pack	Code	Unit Price £
52mm	1	00622052	20.77

Pressure 0 - 4 bar, temperature 0 - 120°C.

Pressure outlet connection M14 x 1" M, see below for fitting, 1 metre capillary with 19mm bulb x 6.5mm DIA.

Connector for capillary pressure reading



Description	Pcs/Pack	Code	Unit Price £
M14 x 1" M	1	00600010	3.27

For use with combined temperature and pressure gauge. Includes single check valve.

Temperature gauge pocket



Description	Pcs/Pack	Code	Unit Price £
Ø 7 L 50mm	1	00510682	5.73
Ø 9 L 50mm	1	00510012	3.27
Ø 10 L 50mm	1	00510684	6.00
Ø 10 L 100mm	1	00510686	8.22
Ø 15 L 110mm	1	00510688	7.25

Connection 1/2" M BSP.



Terms & Conditions

1. General

- A. "The Company" means Emmeti UK Limited.
- B. All orders will be deemed to be binding under these terms and conditions.
- C. These terms may only be varied with the express written agreement of The Company.
- D. An order will be deemed to exist once the purchaser has accepted a quotation.
- E. A quotation is considered automatically to have been accepted immediately the purchaser takes delivery of all or part of the material.
- F. Minimum order value is £1000.00 from UK Warehouse.
- G. Minimum order value for direct shipment from factory gates is £5,000.00.
- H. A restocking charge of 25% of the value of the goods is to be applied for goods returned through no fault of Emmeti UK. A return reference number must be obtained from the Emmeti UK office. Returned goods cannot be accepted without return reference number - please contact us for authorisation.

2. Pricing and description of goods

- A. Prices are as quoted in The Company's catalogue and may be varied from time to time without notice.
- B. Prices do not include packing and delivery.
- C. Prices relate to the technical specification of the products described.
- D. The company reserves the right to amend prices at any time, including within the period of time between acceptance of the quotation by the purchaser and delivery.
- E. All price increases are considered accepted by the purchaser unless specific written notice is received by The Company.
- F. Data and information contained in The Company's brochures and advertising, shall be deemed to be approximate only unless confirmed in writing by The Company.
- G. The Company reserves the right to alter the specification of any goods without prior notice.

3. Delivery and passing of title of any goods

- A. Prices quoted are ex-works, packing and delivery are charged and shown separately.
- B. The Company cannot be held responsible or accept claims for consequential loss as a result of a failed delivery where the purchaser provided incorrect or insufficient delivery details or for reasons beyond our control, eg weather, vehicle breakdown etc
- C. The purchaser entrusts The Company to negotiate on his behalf and completely independently, transportation and other ancillary services and the procedures for their implementation, including insurance for shipping of goods.
- D. Delivery of the goods shall be deemed to take place when they are actually delivered to the purchaser or his representative at their respective premises.
- E. Risk as to loss and damage to the goods shall pass to the purchaser immediately after the goods have been delivered.
- F. The purchaser must inform The Company in writing of any shortages, defect or damage to the goods within 8 working days of delivery.
- G. The ownership of any goods shall remain with The Company until payment in full for all the goods has been received.
- H. Until such time as full payment for any goods has been received, The Company reserves the right to dispose of the goods.
- I. If at any time payment for any goods is overdue, The Company may enter upon the purchaser's premises by its servants or agents and recover and dispose of the goods and the purchaser shall make no claim against The Company in respect of such entry or disposal.
- J. The purchaser, may in the ordinary course of business, mix the goods with other objects or convert the goods into other objects whether by the process of manufacture or otherwise and whether or not such mixture or conversion renders the goods unidentifiable. In such case, the mixture or the converted goods as the case may be shall forthwith pass to The Company and remain with The Company from the moment of mixture or conversion until the purchaser has paid all sums whatsoever due to The Company.

4. Payment

- A. All prices are exclusive of Value Added Tax.
- B. Prices ruling at the time of despatch shall apply.
- C. Payment terms are strictly end of month following for approved credit customers otherwise payment in advance, by arrangement.
- D. The purchaser may not make any exceptions to delay payment.
- E. Failure to pay within the standard terms will lead to an interest charge on arrears of 1% per month plus bank charges.

5. Warranty

- A. In the case of goods manufactured by The Company, these are guaranteed free of manufacturing defect for 24 months from the date of delivery.
- B. During the warranty period, The Company shall replace or remedy any defects in the goods arising out of defective materials or workmanship, provided that the purchaser shall immediately give notice of such defects both verbally and in writing to The Company.
- C. The Company takes no liability or responsibility for accidental damage, incorrect installation or improper application outside the goods design capability.
- D. In the case of goods supplied by The Company, but not manufactured by it, The Company's liability shall be limited to such extent that it shall not be liable for any loss or damage beyond that for which The Company may be covered by the original manufacturer's guarantee.
- E. The Company reserves the right to accept returned goods when they are acknowledged by The Company as faulty within the terms of the warranty.
- F. Emmeti Installed Products - Field Problems - Reporting & Escalation Procedure - In the unlikely event you experience issues with products which have been installed within the warranty period, please contact our internal sales team in the first instance - 01993 824900. You will be issued with a unique reference number which must be quoted in all communication.

6. Force majeure

- A. The Company shall do all in its power to perform to the terms of any contract of which these conditions form part and in particular to meet all delivery dates but shall not be liable for any failure to observe or breach of any of the terms hereof by reason of acts of God, war, riots, civil commotion's, strikes, lock-outs, trade disputes, fires, breakdowns, interruptions of transport, governmental action, delay in delivery, by The Company's suppliers or any other cause whatsoever beyond its control.
- B. In such circumstances, where the goods are in transit, either The Company or the purchaser may terminate the unperformed part of any contract of which these conditions form part by notice in writing delivered to the other party hereto within 14 days of The Company giving written notice to the purchaser of the occurrence of such action or circumstances as makes The Company fail to observe or break the terms hereof.

7. Cancellation

- A. If the purchaser shall fail to make any payment when it becomes due or shall enter into any composition or arrangement with its creditors or if being an incorporated company it shall have a Receiver appointed or shall pass a resolution the winding up or a court shall make an order to that effect or if not being an incorporated company shall have a receiving order made against it or if there shall be any breach by the purchaser of any terms or conditions hereof, The Company may defer or cancel any further deliveries and treat the contract of which these conditions form part as determined but without prejudice to its rights to any unpaid purchase price for goods delivered and to damages for any loss suffered in consequence thereof.

8. Operation of law

These conditions shall be construed and the rights of the parties hereto shall be regulated by the Laws of England and Wales. Emmeti UK reserves the right to change products due to every technical or commercial need at any moment and without notice. Emmeti UK is the exclusive owner of the pictures, text contained in all Emmeti published documentation, any kind of duplication is forbidden unless written authorisation is released by Emmeti UK.



Respect the environment!

For a correct disposal, the different materials must be divided and collected according to the regulations in force.

Emmeti copyright

All rights are reserved. This publication nor any of its contents can be reproduced or publicised without Emmeti's written authorisation.

The data contained in this publication are subject to change at any time, for technical and commercial requirements.
Emmeti are not responsible for eventual errors or inexactitudes

EMMETI
UK

Emmeti UK

6 Tannery Yard
Witney Street
Burford
Oxfordshire
OX18 4DQ

T +44 (0) 1993 824900
F +44 (0) 1993 824990
W www.emmeti.co.uk
E sales@emmeti.co.uk

 **Boiler-Gas.ru**
Перейти на сайт

