



**2017**  
**HEATING & PLUMBING**  
**PRODUCT PRICE LIST**

[www.emmeti.co.uk](http://www.emmeti.co.uk)

## Price List 2017

### Company Overview

#### The Group

Emmeti S.p.A. was founded in 1976, initially marketing components for heating systems. A strategic shift to direct production was made in 1984 with the establishment of FIV S.r.l as CNC and assembly division, with Emmeti focussing on automated assembly and distribution. Since then Emmeti has expanded rapidly and now operates in more than 65 countries worldwide with sales and marketing offices in Spain, France, Brazil and North America as well as the UK. In 2009 Emmeti Group began production of MLCP (MultiLayer Composite Pipe), supplying worldwide.

Emmeti has a wide range of products targeted at the heating, plumbing, renewable and air conditioning markets and is committed to developing products which reduce and monitor energy consumption. In recent years they have developed significant renewable energy products, and continue to innovate in this emerging field. They also operate to the highest possible standards and satisfy the requirements of ISO 9001:2000 for its Quality Management System and ISO 14001:2004 for its Environmental Management System.

In 2015 the industrial Group RETTIG ICC acquired a controlling share in the Emmeti Group. RETTIG ICC - Indoor Climate Control is part of the Finnish group RETTIG Ltd, and is the European leader in the production and distribution of radiators in steel, with a growing presence in the markets of radiant systems, valves and controls for HVAC systems. The acquisition of Emmeti Group provides an excellent synergy between the two organisations and will support the strategic plans for growth and innovation of RETTIG ICC, allowing entry into new geographic markets and the transfer of new technologies.

#### Emmeti UK

We established Emmeti UK in Burford, Oxfordshire in 2004, to support Emmeti Group from a UK base. Distributing Emmeti and OEM products through wholesalers, merchants, system houses and renewable companies nationwide who serve the needs of the rapidly growing underfloor heating market as well as the heating and plumbing sector. We have achieved a reputation for excellence in fast order turnaround together with sales and technical support for our customers.

From our central warehouse located near Oxford we are able to offer ex-stock next day. This is supported by weekly shipments from our manufacturing base in Italy.

We are able to offer innovative new products to the UK market, with the substantial resources and back-up of the Emmeti Group as well as tailoring products to a customer's own specification. We have recently gained BBA approval for our manifold and pipe and many of our products are WRAS approved for use in potable water systems.

#### Products

We have developed a product portfolio specially designed to cater for the UK plumbing and heating markets, in particular the Underfloor Heating, Wall Hung Radiator heating and hot and cold water sectors. Core products for the markets we serve are:

- Manifolds and fittings for radiator and Underfloor Heating systems
- Manifolds and fittings for sanitary water distribution
- Multilayer pipe and press fitting systems from 16mm to 63mm
- Pipe, insulation and accessories for Underfloor Heating
- Zone controls for radiator and Underfloor Heating, including thermostats, actuators and wiring centres
- Expansion vessels for both heating and potable water applications
- Manual and thermostatic radiator valves
- Manual and motorised ball valves
- Pressure reducing valves

#### Product Standards & Customer Support

All of our products are manufactured to comply with European standards wherever possible. Additionally, where appropriate, our products also satisfy the requirements of WRAS for use in potable water systems. More recently, we have gained BBA approval for our manifold systems as can be seen in our technical product guides available on-line. In addition, we have provided individual installation guides with each product and copies can be obtained by going on-line or by contacting our sales office.

To receive regular product updates, news and technical articles, please register via our website or, if you are viewing this page electronically, simply click on the link <http://www.emmeti.co.uk/news-update>

Our Emmeti UK website offers on-line access to literature, product data, technical information, articles, and the latest product launches: [www.emmeti.co.uk](http://www.emmeti.co.uk)



Contents

	Page		Page
<b>Company Overview</b> .....	2	<b>Section 10 : UFH Pipes &amp; Fittings</b>	
<b>How to Order</b> .....	4	PE-RT/AL/PE-RT Alpert MultiLayer MLCP UFH Barrier Pipe.....	78
<b>New Products for 2017</b> .....	5	PE-Xa Barrier Pipe.....	78
<b>Introduction to Manifold Systems</b> .....	6	PE-Xc Barrier Pipe.....	78
<b>Section 1 : Gerpex Pipe &amp; Fittings</b>		Pipe Conduit.....	78
Gerpex MultiLayer Composite Pipe.....	8	Monoblocco 24x19 Connectors.....	79 - 80
Gerpex MultiLayer Composite Pipe (Insulated).....	8	Threaded 24x19 by BSP for F or M Fittings.....	80 - 82
Gerpex Press Fittings.....	9 - 13	Monoblocco 24x19 Ball Valves - Top Range.....	82
Gerpex Compression Connectors.....	14	Pipe Accessories.....	82 - 83
Gerpex Tooling.....	14 - 15	<b>Section 11 : UFH Accessories</b>	
Gerpex Accessories.....	16	Edge Insulation Strip - Insulating Perimeter Strip.....	86
<b>Section 2 : Hot and Cold Plumbing Manifolds</b>		Clip Rail.....	86
TopSan.....	18	Castellated Panel.....	86
Topway SN.....	19 - 21	Pipe Decoiler.....	86
Multiplex.....	22	Pipe Bend Supports.....	87
Modular.....	23	Tacker Gun.....	87
<b>Section 3 : Potable Water Systems</b>		Tacker Staples.....	87
Expansion Vessels for Potable Water Applications.....	25 - 26	Manual Staples.....	87
Top Range of Dial Up Pressure Reducers.....	26	Straddle Clips.....	88
<b>Section 4 : Type 1 Wall Hung Radiator (WHR) Manifolds</b>		Manual Twist Pipe Clips.....	88
Type 1 Topway WHR.....	28	Spreader (Heat Emission) Plates.....	88
Type 1 TopSan.....	29	Closing Bend for Spreader plates.....	88
Type 1 Topway Single Bar.....	30 - 33	Floor Insulation Panels.....	89 - 90
Type 1 Mixer Co-Planar Manifold.....	34	Dry Installation Systems.....	90
Type 1 Commercial Heating Manifolds.....	35	Galvanised Steel Plate.....	90
Type 1 Commercial Heating Manifold Accessories.....	35	Polyethylene Sheet (in roll).....	91
<b>Section 5 : Thermostatic and Manual Radiator Valves</b>		Geotextile Sheet (in roll).....	91
Sensor Thermostatic Radiator Valve Kits for Copper Compression.....	37	<b>Section 12 : Zone Controls</b>	
Sensor TRV Heads.....	37	EWV Wiring Centres.....	93
Poker TRV Bodies.....	37 - 38	CS-11 LCD Digital Thermostats and Timeswitches.....	94 - 95
Poker Manual Radiator Valves.....	38 - 39	Electromechanical Thermostats.....	95
Full Manual Radiator Valves.....	39 - 40	Electronic Thermostats.....	95 - 96
<b>Section 6 : Type 2 Wall Hung Radiator &amp; UFH Manifolds</b>		Remote Sensors.....	96
Type 2 Topway LS Pre-Assembled Heating Manifold.....	42 - 43	Wireless Controls.....	97 - 98
Type 2 Topway FM Pre-Assembled Heating Manifold.....	44 - 45	Weather Compensating Controls.....	99 - 101
Type 2 Topway SLM Manifold Pre-Assembled Single Loop Manifold.....	46	<b>Section 13 : Heat Interface Units</b>	
Type 2 Topway ETB Single Bar.....	47 - 48	Heat Interface Units.....	103
Type 2 Topway LS Single Bar.....	47 - 48	Smart Systems Components.....	104 - 105
Type 2 Topway FM Single Bar.....	49 - 50	<b>Section 14 : Modulo Compact &amp; Modulo Plus Motorised Ball Valves</b>	
<b>Section 7 : Type 3 UFH Manifolds</b>		Modulo Compact Complete 230V Motorised Ball Valves.....	107
FMU2 Floor Mixing Unit.....	52	Modulo Plus Complete 230V Motorised Ball Valves.....	108
FCU-HE Floor Control Unit.....	53 - 54	Separate 230V / 24V Actuators.....	109
Firstbox Flow and Temperature Distribution Groups.....	55	Separate Valve Bodies.....	109 - 110
Underfloor Heating Manifold Accessories.....	56	Accessories.....	110
Firstbox Accessories.....	57 - 58	<b>Section 15 : Heating Accessories</b>	
<b>Section 8 : Type 3 UFH Mixing Groups</b>		Sealed System Components.....	112 - 113
TM3 Mixing Unit.....	60	In-Line Deaerators.....	113
M3V-HE Control Group.....	60	Sicura Pressure Relief Valves.....	114
Type 2 UFH Heat Pump Control Group.....	61	Manual and Automatic Air Vents.....	114 - 115
Type 3 UFH Mixing Group Accessories.....	61	Deck Plates.....	116
<b>Section 9 : Manifold and Mixing Group Accessories</b>		Strainers.....	116
On and In Wall Metal Cabinets.....	64 - 65	Temperature & Pressure Gauges.....	116 - 117
Ball Valves.....	65 - 66	Temperature Gauge Pockets.....	117
Control T Electrothermic Heads.....	67	Boguard Electronic Corrosion Protection.....	117
Spares and Upgrade Kits.....	67 - 72	<b>Section 16 : Ball Valves</b>	
Differential Pressure By Pass Kits.....	72	Perfecta Light Pattern Brass Ball Valves.....	119 - 120
Pressure Gauges.....	73	Evolution Heavy Pattern Brass Full Bore Ball Valves.....	121 - 124
Monoblocco Connectors & Spanners.....	74 - 75	Spares.....	124 - 125
Termobox.....	75	<b>Terms and Conditions</b> .....	126
Open Manifold - Low Loss Header and Insulating Shell.....	75 - 76		
Over Temperature Protection.....	76		



## Price List 2017

### How to Order

We accept orders by email and fax only, we can take enquiries by telephone.

When ordering please provide the following details:

- Company name, contact name and telephone number
- Product code
- Product description
- Quantity required
- Delivery address with contact name, telephone number and email address
- Required delivery service (see below for options)
- Delivery date
- Type of Site: ie Domestic or Commercial
- Site Access Restrictions. If private/domestic address, please let us know if a dwelling is isolated or down a narrow lane
- Your purchase order number
- Invoice address

An order acknowledgement will be sent to confirm your requirements. Please check this carefully and notify the internal sales team if any changes are required as soon as possible, on (+44) 01993 824900 or via e-mail sales@emmeti.co.uk. If the order has been despatched, we will inform you of the options available.

#### By Email:

Please send to sales@emmeti.co.uk with the information above.

#### By Fax:

Please send to (+44) 01993 824990 with the same information as above.

#### By Telephone:

Please call (+44) 01993 824900 from 8.30am to 5pm, Monday to Friday except bank holidays.

Talk to our internal sales team who will discuss your requirements and advise on delivery and pricing. Written purchase orders can be accepted by email or fax only. Please refer to details above.

## Carriage and Delivery

### Premium Delivery Service

Our Premium service includes a variety of delivery options designed to suit business needs. You can choose to receive your goods from 10am, before midday or at a specific time to suit you. We can also deliver on Saturdays with our Premium service.

Irrespective of order value, delivery charges for Premium Service are as follows:

AM (BEFORE NOON, but NOT before 10.30AM)	£30.00
TIMED (10.30AM earliest)	£40.00
SATURDAY	£60.00

### Next Day Delivery Service

Our Next Day delivery service is for deliveries needing to reach their destination within 24 hours. This service operates throughout most of the UK. Along with our Premium service, it is designed for those deliveries that need to get there as quickly as possible.

Delivery charges for Next Day Delivery:

FREE for order value £1000 and above  
£15.00 for order value up to £1000

### Economy Delivery Service

The 48 Hour service accommodates deliveries throughout all of the UK that are not quite as urgent but still need to get there within 48 hours. This provides a more cost-effective option but still offers the same security and customer service.

Delivery charges for Economy Delivery:

FREE for order value £1000 and above  
£10.00 for order value up to £1000

With all delivery options, irrespective of order value, an additional surcharge of £39.50 is applicable for orders containing lengths of Gerpex 4M bars (P8 refers). Any deliveries for 4M bars beyond a 100 mile radius from our warehouse (OX29 5UX) would be subject to individual quote.

With all delivery service options, if we cannot deliver to the required postcode on the required date, we will inform you.

- Please note, orders must be received before 2.30pm in order to arrange next day delivery service.
- Please indicate which delivery service you require on your p/o, inclusive of the cost.
- Emmeti UK reserve the right to charge the purchaser for failed deliveries, which have occurred through no fault of Emmeti UK.
- Emmeti UK cannot be held responsible or accept claims for consequential loss as a result of a failed delivery where you have provided incorrect or insufficient delivery details or for reasons beyond our control, eg weather or vehicle breakdown.

## Customer Collections

Our warehouse can accommodate customer collections based on the following terms.

Emmeti UK will provide the customer with an order confirmation, notifying the customer of

- date/time from when your order will be ready to collect from the address shown below
- the number of pallets (or parcels) that your order contains

The Customer shall

- present a copy of the Emmeti UK order confirmation upon collection from the address shown below
- accept responsibility to organise a suitable vehicle to collect the goods. Failure to do this, may result in the collection being aborted. Should this be the case, Emmeti UK can arrange delivery of the order; please request a quote from Emmeti UK.

Please note, same day collections may be declined subject to time constraints

Collection address: Oxford Carriers, Unit 25 Stanton Harcourt I.E, Stanton Harcourt, Witney, OX29 5UX.

## Product Queries

Please call (+44) 01993 824900 from 8.30am to 5pm, Monday to Friday except bank holidays.

Our internal sales team will be pleased to answer your product queries and where applicable, our technical or external sales team are available to answer your technical queries.

If you wish to discuss your requirements with one of our sales team or arrange for them to call and see you, please contact us on the above number for details of the member of our team best able to help you.

For full terms and conditions see page 126.

**New Products for 2016**



**Gerpex 75mm MLCP and Press Fittings**

75mm addition to the Gerpex range. MLCP available in 4m bars and press fittings to suit.



**On Wall Manifold Cabinets**

A range of backless metal cabinets designed to be fitted once the manifold has been fitted, tested, commissioned and decoration has been completed



**Over Temperature Protection**

An over temperature protection device available in two versions - High Temperature for direct manifold protection and Low Temperature for overall floor protection. Designed to be connected in series to the circulating pump, zone valve or heat source to "lock out" in the event of an over temperature situation.



**CS-17 Zona Touch - Touchscreen Programmable Thermostat**

A touchscreen programmable thermostat for underfloor and wall hung radiator systems. Features include touch screen operation, remote sensing for air and floor use, temperature limiting function, frost protection and optimum start.

AVAILABLE MID 2017



**Timeswitches**

Two and three channel touchscreen programmable timeswitches for use in multi-system applications. ON/OFF switching for 2 or 3 channels respectively.

AVAILABLE SPRING 2017



**Heat Interface Units**

Emmeti UK's Heat Interface Units (HIU) suit a variety of applications: single or multi-dwelling houses, apartments, industrial and commercial applications and district heating systems. The HIU's are compact in size, adaptable for individual application and have low standby running costs. Wireless and weather compensation controls can be fitted to the system for added control.

## Price List 2017

### Introduction to Manifold Systems

Emmeti UK are passionate about the use of manifolds, be it for Underfloor Heating, radiator systems or hot & cold plumbing systems. Our ethos is to minimize the number of joints in plumbing and heating systems by utilising central distribution and flow control. Type 2 and Type 3 systems can also help end users achieve up to 40% energy savings by zoning the home into individual rooms or "zones"

The symbols below have been created as a manifold selection aide. Throughout this pricelist the relevant sector logo enables easy identification of suitable manifolds for each application.

The benefits for each sector can be found by visiting the relevant section on our website [www.emmeti.co.uk](http://www.emmeti.co.uk)

#### Hot and Cold Plumbing Manifolds



The tap symbol denotes WRAS approved plumbing manifolds for use in hot and cold water distribution systems. These brass manifolds are designed to facilitate central and/or local distribution with individual outlet isolation in some cases. The use of manifolds in plumbing systems allows for smaller outlet distribution pipework to be installed in a point to point system, which reduces the number of joints as well as providing easy access to system isolation in the event of a fault.

#### Wall Hung Radiator Manifolds



The radiator symbols denotes manifolds suitable for use with point to point radiator systems. The centrally located heating manifold can be a simple Type 1 (no electrical control) or Type 2 (full electrical control). Both types allow for central distribution with point to point pipework (P2P) which reduces the number of joints in the system. Type 1 can also include individual radiator isolation whereas Type 2 combines P2P, individual isolation and full electrical time/temperaure zone control.

#### Underfloor Heating Manifolds



The Underfloor symbol denotes manifolds for use with Underfloor Heating systems. Most commonly Type 3 manifolds which incorporate flow temperature management and circulation pump. Type 2 manifolds can be used where there is no requirement for flow temperature control or additional circulation, generally with low temperature heat sources such as Heat Pumps.



## Gerpex Pipe, Press Fittings, Tooling and Accessories



### Gerpex PE-X - AL - PE-X MultiLayer Composite Pipe

Five layer composite pipe ranging from 16mm up to 75mm. Inner layer of cross linked PE-Xb with outer layer of PE-Xb upto 32mm and PE-HD from 40 up to 75mm. Internal aluminium layer which provides a solid oxygen barrier, rigidity and form retention. Fully WRAS approved for use with plumbing systems as well as heating, cooling and compressed air. Includes coils up to 500m, 4m straight bars and insulated coils. Suitable for use up to 10 bar at 95°C.



Certificate No.  
1404093



### Gerpex Press Fittings

A range of WRAS approved, brass bodied, press fittings for use with Emmeti Gerpex MLCP. Profiles are TH for all sizes, B up to 32mm, U, H and F up to 20mm.



Certificate No.  
1404093



### Gerpex Compression Fittings

A selection Monoblocco fittings and compression ball valves developed to allow MLCP to be connected to standard copper sizes. The 16, 20 and 26mm Monoblocco will allow connection onto 15, 22 and 28mm compression connections. WRAS approved compression ball valves also available (15mm - 54mm)

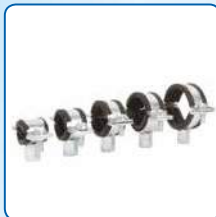


Certificate No.  
1404093



### Gerpex Tooling

A range of pressing tools and jaws to suit 10mm up to 110mm with multi-profile compatible tooling. Also included are pipe cutting, preparation tools and bending equipment. Includes battery operated, Mini and Akku-Press, as well as replacement jaws.



### Gerpex Accessories

A range of plastic flexi hinged clips to suit between 16 and 32mm pipe as well as metal rubber lined clips between 16 and 75 mm.

## Price List 2017

### Gerpex MultiLayer Composite Pipe

Gerpex MultiLayer pipe (PE-X/AL/PE-X) for Plumbing systems, Wall Hung Radiator and Underfloor Heating



Certificate No.  
1404093



Description	Coils	Code	Unit Price £/m
16 x 2	100m	28106000	1.40
16 x 2	200m	28106010	1.40
16 x 2	500m	28106050	1.40
20 x 2	100m	28106004	1.84
20 x 2	200m	28106002	1.84
26 x 3	50m	28106006	3.24
32 x 3	50m	28106008	4.37
Description	4m Bar	Code	Unit Price £/m
16 x 2	96m*	28108010	1.84
20 x 2	96m*	28108014	2.36
26 x 3	40m*	28108016	4.29
32 x 3	28m*	28108018	5.95
40 x 3.5	20m*	28100090	14.91
50 x 4	20m*	28100092	20.03
63 x 4.5	12m*	28100094	29.34
75 x 5	12m*	28100070	50.93

WRAS approved, 5 layer pipe constructed using PE-Xb-AL-PE-Xb up to 32mm with PE-Xb-AL-PE-HD from 40mm to 75mm. Available in coils up to 32mm and in 4 metre bars throughout the range. Maximum operating pressure 10 bar, maximum operating temperature 95°C.

\* Packs of 4m bar lengths, subject to transport surcharge, see carriage and delivery terms on page 4.

### Gerpex MultiLayer Composite Pipe (Insulated)

Gerpex Insulated MultiLayer pipe (PE-Xb-AL-PE-Xb) for Plumbing systems and Wall Hung Radiators



Certificate No.  
1404093

Description	Insul. Thick	Coil	Code	Unit Price £/m
16 x 2	6mm	50m	28106108	2.19
16 x 2	6mm	100m	28106100	2.15
20 x 2	6mm	50m	28106104	2.67
20 x 2	9mm	50m	28106106	2.93
26 x 3	9mm	50m	28102880	4.46
32 x 3	9mm	25m	28102872	6.25

WRAS approved, 5 layer pipe constructed using PE-Xb-AL-PE-Xb. Available in coils up to 32mm. Insulation thickness 6mm up to 20mm pipe and 9mm insulation thickness for sizes 20, 26 and 32mm pipe. Maximum operating pressure 10 bar, maximum operating temperature 95°C.

### Gerpex MultiLayer Composite Pipe (Insulated and Colour Coded)



Certificate No.  
1404093

Description	Colour/Insul. Thick	Coil	Code	Unit Price £/m
16 x 2	Red / 6mm	100m	28106140	2.15
16 x 2	Blue / 6mm	100m	28106142	2.15
20 x 2	Red / 6mm	50m	28106144	2.71
20 x 2	Blue / 6mm	50m	28106146	2.67
16 x 2	Blue / 10mm	50m	28102540	2.19
20 x 2	Blue / 13mm	50m	28102542	3.20
26 x 3	Blue / 13mm	25m	28102870	5.16
32 x 3	Blue / 13mm	25m	28102874	7.08

WRAS approved, 5 layer pipe constructed using PE-Xb-AL-PE-Xb. Available in coils up to 32mm. 16mm and 20mm available in both red and blue. 26 and 32mm available only in blue. Maximum operating pressure 10 bar, maximum operating temperature 95°C.

### Gerpex Multilayer Composite Pipe in Corrugated Conduit

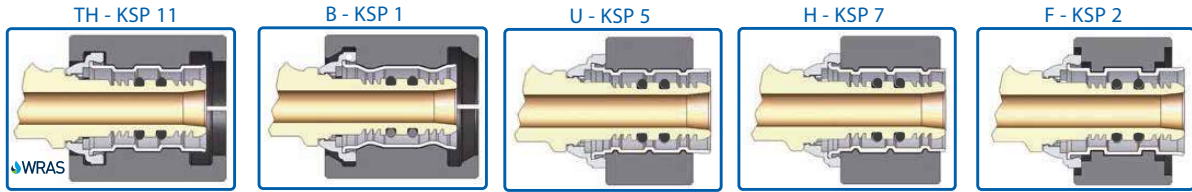


Description	Colour	Coil	Code	Unit Price £/m
16 x 2	Red	50m	28102350	2.41
16 x 2	Blue	50m	28102360	2.41

Description: 16 x 2 Gerpex MLCP encased within flexible conduit.



Pressing Profile Options



Profile and dimensions of the jaws that can be used with Multi-Jaw Gerpex Fittings

	16	20	26	32	40	50	63	75
TH	OK	OK	OK	OK	OK	OK	OK	OK
B	OK	OK	OK	OK	-	-	-	-
U	OK	OK	-	-	-	-	-	-
H	OK	OK	-	-	-	-	-	-
F	OK	OK	-	-	-	-	-	-

Gerpex Press Fittings

Equal Elbow 16-75mm



Certificate No. 1404093



Description	Profile	Pcs/Pack	Code	Unit Price £
16mm x 16mm	TH	10	28101352	4.41
20mm x 20mm	TH	10	28101356	5.93
26mm x 26mm	TH	5	28101358	9.22
32mm x 32mm	TH	5	28101480	13.93
40mm x 40mm	TH	1	28115200	24.16
50mm x 50mm	TH	1	28115210	37.54
63mm x 63mm	TH	1	28115220	51.92
75mm x 75mm	TH	1	28115540	108.60



WRAS approved TH profile press fitting, for all other profiles please refer to compatibility chart above.

Equal Tee 16 - 75mm



Description	Profile	Pcs/Pack	Code	Unit Price £
16mm x 16mm x 16mm	TH	5	28101362	6.13
20mm x 20mm x 20mm	TH	5	28101366	8.21
26mm x 26mm x 26mm	TH	5	28101368	12.92
32mm x 32mm x 32mm	TH	5	28101490	19.56
40mm x 40mm x 40mm	TH	1	28115250	35.81
50mm x 50mm x 50mm	TH	1	28115260	55.01
63mm x 63mm x 63mm	TH	1	28115270	77.95
75mm x 75mm x 75mm	TH	1	28115544	161.60



WRAS approved TH profile press fitting, for all other profiles please refer to compatibility chart above.

Straight Coupler 16mm-75mm



Description	Profile	Pcs/Pack	Code	Unit Price £
16mm x 16mm	TH	10	28101422	4.41
20mm x 20mm	TH	10	28101426	5.83
26mm x 26mm	TH	5	28101428	8.16
32mm x 32mm	TH	5	28101510	11.35
40mm x 40mm	TH	1	28115050	22.49
50mm x 50mm	TH	1	28115060	34.04
63mm x 63mm	TH	1	28115070	46.55
75mm x 75mm	TH	1	28115554	99.53



WRAS approved TH profile press fitting, for all other profiles please refer to compatibility chart above.

## Price List 2017

## Gerpex Press Fittings (continued)

## Reducing Tee 16mm-75mm

Certificate No. 1404093 

Description (1 x 2 x 3)	Profile	Pcs/Pack	Code	Unit Price £
16mm x 16mm x 20mm	TH	5	28101396	7.86
20mm x 16mm x 16mm	TH	5	28101382	7.80
20mm x 20mm x 16mm	TH	5	28101372	8.06
20mm x 16mm x 20mm	TH	5	28101385	8.01
20mm x 20mm x 26mm	TH	5	28101398	12.01
20mm x 20mm x 32mm	TH	5	28101503	18.44
26mm x 20mm x 16mm	TH	5	28101386	11.70
26mm x 26mm x 16mm	TH	5	28101376	12.16
26mm x 16mm x 20mm	TH	5	28101388	11.76
26mm x 20mm x 20mm	TH	5	28101390	11.86
26mm x 26mm x 20mm	TH	5	28101379	12.31
26mm x 16mm x 26mm	TH	5	28101391	12.16
26mm x 20mm x 26mm	TH	5	28101392	12.21
26mm x 26mm x 32mm	TH	5	28101499	19.05
32mm x 32mm x 16mm	TH	5	28101497	18.80
32mm x 20mm x 20mm	TH	5	28101501	18.04
32mm x 26mm x 20mm	TH	5	28101508	18.49
32mm x 32mm x 20mm	TH	5	28101502	18.95
32mm x 20mm x 26mm	TH	5	28101495	18.39
32mm x 26mm x 26mm	TH	5	28101509	18.85
32mm x 32mm x 26mm	TH	5	28101506	19.30
32mm x 16mm x 32mm	TH	5	28101493	18.39
32mm x 20mm x 32mm	TH	5	28101504	18.59
32mm x 26mm x 32mm	TH	5	28101507	19.05
40mm x 32mm x 26mm	TH	1	28115518	32.88
40mm x 40mm x 26mm	TH	1	28115514	34.90
40mm x 32mm x 32mm	TH	1	28115516	32.98
40mm x 40mm x 32mm	TH	1	28115300	34.19
40mm x 32mm x 40mm	TH	1	28115520	34.04
50mm x 50mm x 26mm	TH	1	28115522	57.03
50mm x 50mm x 32mm	TH	1	28115320	51.87
50mm x 40mm x 40mm	TH	1	28115524	57.54
50mm x 50mm x 40mm	TH	1	28115310	53.74
50mm x 32mm x 50mm	TH	1	28115526	56.83
50mm x 40mm x 50mm	TH	1	28115528	59.11
63mm x 63mm x 50mm	TH	1	28115330	77.90
75mm x 75mm x 40mm	TH	1	28115546	159.20
75mm x 75mm x 50mm	TH	1	28115548	160.90



WRAS approved TH profile press fitting, for all other profiles please refer to compatibility chart on page 9.

## Reducing Coupler 20mm-75mm



Description	Profile	Pcs/Pack	Code	Unit Price £
20mm x 16mm	TH	10	28101430	5.63
26mm x 16mm	TH	5	28101434	7.35
26mm x 20mm	TH	5	28101436	7.50
32mm x 16mm	TH	5	28101512	10.19
32mm x 20mm	TH	5	28101514	10.34
32mm x 26mm	TH	5	28101516	10.84
40mm x 26mm	TH	1	28115500	19.86
40mm x 32mm	TH	1	28115100	20.11
50mm x 32mm	TH	1	28115502	29.38
50mm x 40mm	TH	1	28115110	31.36
63mm x 40mm	TH	1	28115120	41.89
63mm x 50mm	TH	1	28115130	44.27
75mm x 40mm	TH	1	28115556	91.07
75mm x 50mm	TH	1	28115558	92.08
75mm x 63mm	TH	1	28115560	93.70



WRAS approved TH profile press fitting, for all other profiles please refer to compatibility chart on page 9.

## Equal Elbow 40-75mm 45°



Description	Profile	Pcs/Pack	Code	Unit Price £
40mm x 40mm	TH	10	28101720	25.78
50mm x 50mm	TH	6	28101722	36.47
63mm x 63mm	TH	4	28101724	50.55
75mm x 75mm	TH	1	28115542	102.00



WRAS approved TH profile press fitting, for all other profiles please refer to compatibility chart on page 9.

### Gerpex Press Fittings (continued)

#### Female Elbow 16 - 32mm

Certificate No. 1404093



Description	Profile	Pcs/Pack	Code	Unit Price £
16mm x 1/2"	TH	10	28101330	4.01
20mm x 1/2"	TH	10	28101334	4.72
20mm x 3/4"	TH	10	28101335	6.84
26mm x 3/4"	TH	5	28101336	7.20
32mm x 1"	TH	5	28101484	12.72

WRAS approved TH profile press fitting, for all other profiles please refer to compatibility chart on page 9.

#### Male Elbow 16-63mm



Description	Profile	Pcs/Pack	Code	Unit Price £
16mm x 1/2"	TH	10	28101342	3.90
20mm x 1/2"	TH	10	28101346	4.61
20mm x 3/4"	TH	10	28101347	6.69
26mm x 3/4"	TH	5	28101348	7.10
32mm x 1"	TH	5	28101482	12.31
40mm x 1 1/4"	TH	1	28115150	21.94
50mm x 1 1/2"	TH	1	28115160	30.70
63mm x 2"	TH	1	28115170	50.50

WRAS approved TH profile press fitting, for all other profiles please refer to compatibility chart on page 9.

#### Male BSP Branch Tee 16mm - 26mm



Description (1 x 2 x 3)	Profile	Pcs/Pack	Code	Unit Price £
16mm x 16mm x 1/2"	TH	5	28101410	5.68
20mm x 20mm x 1/2"	TH	5	28101414	7.05
20mm x 20mm x 3/4"	TH	5	28101415	10.13
26mm x 26mm x 3/4"	TH	5	28101418	10.89

WRAS approved TH profile press fitting, for all other profiles please refer to compatibility chart on page 9.

#### Female BSP Branch Tee 16mm - 75mm



Description (1 x 2 x 3)	Profile	Pcs/Pack	Code	Unit Price £
16mm x 16mm x 1/2"	TH	5	28101400	5.63
16mm x 16mm x 3/4"	TH	5	28101401	9.93
20mm x 20mm x 1/2"	TH	5	28101404	7.05
20mm x 20mm x 3/4"	TH	5	28101405	10.29
26mm x 26mm x 1/2"	TH	5	28101702	11.89
26mm x 26mm x 3/4"	TH	5	28101408	11.05
32mm x 32mm x 3/4"	TH	5	28101494	19.56
32mm x 32mm x 1"	TH	5	28101496	18.49
40mm x 40mm x 3/4"	TH	1	28115350	39.51
40mm x 40mm x 1"	TH	1	28115360	39.11
40mm x 40mm x 1 1/4"	TH	1	28115530	65.75
50mm x 50mm x 3/4"	TH	1	28115370	43.61
50mm x 50mm x 1"	TH	1	28115380	42.70
50mm x 50mm x 1 1/4"	TH	1	28115532	68.89
63mm x 63mm x 1"	TH	1	28115390	60.88
63mm x 63mm x 1 1/4"	TH	1	28115400	59.36
75mm x 75mm x 1"	TH	1	28115550	152.30



WRAS approved TH profile press fitting, for all other profiles please refer to compatibility chart on page 9.

## Price List 2017

### Gerpex Press Fittings (continued)

Straight Male - BSP 16mm - 75mm

Certificate No.  
1404093



Description	Profile	Pcs/Pack	Code	Unit Price £
16mm x 1/2"	TH	10	28101440	3.30
20mm x 1/2"	TH	10	28101445	3.85
20mm x 3/4"	TH	10	28101446	4.56
26mm x 3/4"	TH	5	28101448	5.58
26mm x 1"	TH	5	28101450	8.31
32mm x 1"	TH	5	28101520	9.02
32mm x 1 1/4"	TH	5	28115510	15.86
40mm x 1"	TH	1	28115512	18.64
40mm x 1 1/4"	TH	1	28115000	17.48
50mm x 1 1/2"	TH	1	28115010	22.29
63mm x 2"	TH	1	28115020	32.12
75mm x 2 1/2"	TH	1	28115552	87.32



WRAS approved TH profile press fitting, for all other profiles please refer to compatibility chart on page 9.

Straight Female - BSP 16mm- 32mm



Description	Profile	Pcs/Pack	Code	Unit Price £
16mm x 1/2"	TH	10	28101454	3.55
20mm x 1/2"	TH	10	28101459	4.11
20mm x 3/4"	TH	10	28101460	5.48
26mm x 3/4"	TH	5	28101462	5.98
26mm x 1"	TH	5	28101464	8.87
32mm x 1"	TH	5	28101522	9.63

WRAS approved TH profile press fitting, for all other profiles please refer to compatibility chart on page 9.

Monoblocco 16-20mm (for all Emmeti manifold connections)



Description	Profile	Pcs/Pack	Code	Unit Price £
16mm - 24 x 19	TH	10	28101650	4.36
20mm - 24 x 19	TH	10	28101654	5.37

WRAS approved TH profile press fitting, for all other profiles please refer to compatibility chart on page 9.

Female Union Adaptors 16-63mm



Description	Profile	Pcs/Pack	Code	Unit Price £
16mm x 1/2"	TH	10	28102600	4.46
16mm x 3/4"	TH	10	28102598	5.07
20mm x 1/2"	TH	10	28102608	4.72
20mm x 3/4"	TH	10	28102606	5.32
26mm x 3/4"	TH	5	28102612	5.58
26mm x 1"	TH	5	28102610	7.40
32mm x 1"	TH	5	28102614	8.31
32mm x 1 1/4"	TH	1	28102620	13.12
40mm x 1 1/2"	TH	1	28102622	24.32
50mm x 2"	TH	1	28102624	41.28
63mm x 2 1/2"	TH	1	28102626	62.56

WRAS approved TH profile press fitting, for all other profiles please refer to compatibility chart on page 9.

Wall Mounted Female Elbow 16 - 26mm



Description	Height	Profile	Pcs/Pack	Code	Unit Price £
16mm x 1/2"	48mm	TH	10	28101300	5.63
16mm x 1/2"	68mm	TH	10	28116202	6.99
20mm x 1/2"	48mm	TH	10	28101304	6.18
20mm x 1/2"	68mm	TH	10	28116206	7.15
20mm x 3/4"	56mm	TH	10	28101696	9.58
26mm x 3/4"	56mm	TH	10	28101698	9.98

WRAS approved TH profile press fitting, for all other profiles please refer to compatibility chart on page 9.

**Gerpex Press Fittings** (continued)

**Tee with Chromed Copper Pipe Branch**

Certificate No. 1404093 



Description	Profile	Pcs/Pack	Code	Unit Price £
16mm x 15mm x 16mm	TH	5	28101692	14.56
20mm x 15mm x 20mm	TH	5	28101694	13.04

WRAS approved TH profile press fitting, for all other profiles please refer to compatibility chart on page 9. Branch length 290mm. Obsolete product, available while stocks last.

**Chrome Copper Pipe 15mm x 1/2" Male, Length 175mm**



Description	Profile	Pcs/Pack	Code	Unit Price £
15mm x 1/2" Male L175mm	TH	5	28101686	5.69

Length 175mm. WRAS approved TH profile press fitting, for all other profiles please refer to compatibility chart on page 9.

**Chromed Elbow 16mm x 15mm Press Fitting, Length 165.5mm**



Description	Profile	Pcs/Pack	Code	Unit Price £
16mm x 15mm, L165.5mm	TH	10	28101708	11.10

Length 165.5mm. WRAS approved TH profile press fitting, for all other profiles please refer to compatibility chart on page 9.

**Right Hand Terminal Elbow with Backplate 16mm-20mm**



Description	Profile	Pcs/Pack	Code	Unit Price £
16mm x 1/2"	TH	5	28101632	10.74
20mm x 1/2"	TH	5	28101640	10.79

WRAS approved TH profile press fitting, for all other profiles please refer to compatibility chart on page 9.

**Left Hand Terminal Elbow with Backplate 16mm-20mm**



Description	Profile	Pcs/Pack	Code	Unit Price £
16mm x 1/2"	TH	5	28101630	10.79
20mm x 1/2"	TH	5	28101638	10.79

WRAS approved TH profile press fitting, for all other profiles please refer to compatibility chart on page 9.

**Backplate Through Piece**



Description	Profile	Pcs/Pack	Code	Unit Price £
16mm x 1/2"	TH	5	28101688	19.19
20mm x 1/2"	TH	5	28101690	19.89

WRAS approved TH profile press fitting, for all other profiles please refer to compatibility chart on page 9.

**Red & Blue Testing plugs 1/2" - 3/4" Female Connection**



Description	Profile	Pcs/Pack	Code	Unit Price £
1/2" Blue	TH	50	28090003	0.47
1/2" Red	TH	50	28090004	0.47
3/4" Blue	TH	50	28090006	0.77
3/4" Red	TH	50	28090008	0.77

For use with female fittings when pressure testing. Can be removed following testing and reused. WRAS approved TH profile press fitting, for all other profiles please refer to compatibility chart on page 9.



## Price List 2017

### Gerpex Press Compression Connectors

#### MLCP to Copper Connectors



Certificate No.  
1507073



Description	Pcs/Pack	Code	Unit Price £
16x2 - 15mm	2	6109R016	3.98
20x2 - 22mm	2	6109R020	5.69
26x3 - 28mm	2	6109R026	8.17

A Monoblocco fitting developed to allow MLCP to be connected to standard copper compression fittings. For example, 16mm MLCP can be connected to a 15mm lever valve by using code 6109R016.

#### Compression Ball Valve Blue/Red Lever Handle



Certificate No.  
1507073



Description	Pcs/Pack	Code	Unit Price £
15mm	1	U9770015	5.08
22mm	1	U9770022	7.84
28mm	1	U9770028	11.88
35mm	1	U9770035	22.23
42mm	1	U9770042	31.56
54mm	1	U9770054	49.00

Lead times apply to 35, 42 and 54mm ball valves. Please enquire for details.

### Gerpex Tooling

#### REMS Mini-Press ACC 14.4V Press Tool (with 1 or 2 Battery option)



Description	Pcs/Pack	Code	Unit Price £
10 - 40mm (1 battery)	1	U9140000	2,959.00
10 - 40mm (2 batteries)	1	U9140001	3,032.00

Ultra compact, one handed, battery operated press tool capable of pressing up to 40mm. Supplied with 1 or 2 x 14.4v 1.6Ah batteries and sturdy steel case with slots for press jaws. Compatible with all REMS jaw profiles up to 40mm. Includes a battery charge status indicator and integrated LED work light. 360° rotatable head with Automatic Circuit Control.

#### Mini-Press TH Jaws



Description	Pcs/Pack	Code	Unit Price £
16mm	1	U9140002	329.20
20mm	1	U9140003	329.20
26mm	1	U9140004	329.20
32mm	1	U9140005	329.20
40mm	1	U9140006	554.50

TH profile pressing jaws for use with REMS Mini-press tool.

#### REMS Akku-Press ACC 14.4V Press Tool (with 1 or 2 Battery option)



Description	Pcs/Pack	Code	Unit Price £
10 - 110mm (1 battery)	1	U9150000	3,349.00
10 - 110mm (2 batteries)	1	U9150001	3,453.00

Compact battery operated press tool capable of pressing up to 110mm. Supplied with 1 or 2 x 14.4v 3.2Ah batteries and sturdy steel case with slots for press jaws. Compatible with all REMS jaw profiles up to 110mm. Includes a battery charge status indicator and integrated LED work light. 360° rotatable head with Automatic Circuit Control.

#### Akku-Press TH Jaws



Description	Pcs/Pack	Code	Unit Price £
16mm	1	U9150002	329.20
20mm	1	U9150003	329.20
26mm	1	U9150004	329.20
32mm	1	U9150005	329.20
40mm	1	U9150006	584.80
50mm	1	U9150007	1,560.00
63mm	1	U9150008	1,560.00
75mm	1	28100540	2,017.00



TH profile pressing jaws for use with REMS Akku-press tool.



**Gerpex Tooling** (continued)

**Pipe Calibration Tool**



Description	Pcs/Pack	Code	Unit Price £
16	1	U9280001	41.56
20	1	U9280002	42.75
26	1	U9280003	44.80
32	1	U9280004	49.19
40	1	U9280005	51.61
50	1	U9280006	78.45
63	1	U9280007	94.27
75	1	28100885	169.30
16-20-26	1	U9280008	77.88
Case for Calibrators*	1	U9250095	39.23
Case for Jaws*	1	U9210100	77.88

Used to prepare MultiLayer Composite Pipe prior to insertion into a fitting. Ensures that the pipe is round, free from burrs and will not damage the press fitting O-rings.

\*Jaws not included

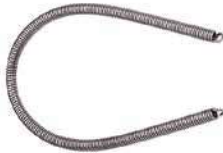
**Pipe cutting tools**



Description	Pcs/Pack	Code	Unit Price £
14 - 32mm shears	1	28100942	57.03
14 - 32mm rotary slice	1	28100944	44.35
16 - 75mm rotary slice	1	28024081	157.10

A selection of pipe cutting tools for cutting Gerpex MultiLayer Composite Pipe.

**Internal bending tool**



Description	Pcs/Pack	Code	Unit Price £
16 - 500mm	1	28100616	12.10
20 - 500mm	1	28100620	13.91
26 - 1000mm	1	28100626	28.30

Used to form bends in MultiLayer Composite Pipe without kinking.

**External bending tool**



Description	Pcs/Pack	Code	Unit Price £
16 - 500mm	1	28100716	17.66
20 - 500mm	1	28100720	23.42

Used to form bends in MultiLayer Composite Pipe without kinking.

**Hydraulic Bending Machine**



Description	Pcs/Pack	Code	Unit Price £
26 -32mm	1	28100920	872.00

Used to hydraulically form bends in 26 and 32mm MultiLayer Composite Pipe.

## Price List 2017

### Gerpex Accessories

#### Plastic Flexi-hinged clip



Description	Pcs/Pack	Code	Unit Price £
15 - 16mm	100	U9290000	0.20
19 - 21mm	100	U9290001	0.25
25 - 27.4mm	50	U9290002	0.37
31.8 - 35mm	50	U9290003	0.69

Plastic flexi-hinged clip to support Gerpex pipe up to 32mm.

#### Plastic clip spacer



Description	Pcs/Pack	Code	Unit Price £
Universal Clip Spacer	100	U9290004	0.16

Plastic clip spacer to allow additional 13mm clearance of pipe from mounting surface. For use with insulated pipe.

#### Plastic link spacer



Description	Pcs/Pack	Code	Unit Price £
Link Spacer	100	U9290005	0.10

Plastic link spacer to give greater spacing between clips.

#### Rubber Lined Metal Clips



Description	Pcs/Pack	Code	Unit Price £
15-19mm	10	U9290006	1.60
20-25mm	10	U9290007	1.72
26-30mm	10	U9290008	1.83
32-36mm	5	U9290009	2.08
38-43mm	5	U9290010	2.28
47-51mm	5	U9290011	2.57
60-64mm	5	U9290012	3.12
75-80mm	5	U9290013	3.98



Steel rubber lined clips to suit full Gerpex pipe range. Clip only supplied to suit 8mm and 10mm threaded bar.

## Hot and Cold Plumbing Manifolds

**TopSan**

A range of WRAS approved nickel plated, extruded brass manifolds for use with hot and cold water services with  $\frac{3}{4}$ " female inlet connection and DN20 outlets. Available from 2 to 12 ways. Isolating taps on each outlet are included with red and blue labels for easy identification of outlet application. A 1" TopSan is now available in 4, 5 and 6 ways with DN20 outlets.

Also available are ball valves, mounting brackets, compression fittings and WRAS approved Monoblocco pipe connectors for a wide range of pipe types and sizes.

**Topway SN**

A range of WRAS approved nickel plated, extruded brass manifold, for use with hot and cold water services, in  $\frac{3}{4}$ ", 1" and 1 $\frac{1}{4}$ " sizes, with DN20 outlets. Available from 2 to 12 ways per manifold.

Also available are ball valves, mounting brackets, compression fittings and WRAS approved Monoblocco pipe connectors for a wide range of pipe types and sizes.

**Multiplex**

A range of WRAS approved nickel plated, stamped brass manifolds, for use with hot and cold water services, in  $\frac{3}{4}$ " and 1" sizes, with DN20 outlets. Available in 2, 3 and 4 ways per manifold with an optional extension piece available. Isolating taps at a 45° angle with red and blue labels supplied for easy identification of outlet application.

Also available are a range of accessories including ball valves, mounting brackets, compression fittings and WRAS approved Monoblocco pipe connectors for a wide range of pipe types and sizes.

**Modular**

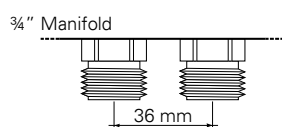
A range of WRAS approved nickel plated, stamped brass manifold, for use with hot and cold water services, in  $\frac{3}{4}$ " and 1" sizes, with DN20 outlets. Available in 2, 3 and 4 ways per manifold.

Also available are ball valves, mounting brackets, compression fittings and WRAS approved Monoblocco pipe connectors for a wide range of pipe types and sizes.

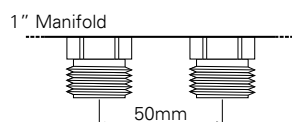
## Price List 2017

## TopSan

TopSan manifold with isolating taps, nickel-plated brass, 24x19 takeoff connections

WRAS  
Certificate No.  
1507073

Distance between takeoffs : 36mm



Distance between takeoffs : 50mm

Description	Ways	Pcs/Pack	Code	Unit Price £
3/4"	2	1	01282050	27.17
3/4"	3	1	01282052	33.63
3/4"	4	1	01282054	40.48
3/4"	5	1	01282056	46.94
3/4"	6	1	01282058	53.37
3/4"	7	1	01282060	61.25
3/4"	8	1	01282062	70.93
3/4"	9	1	01282064	77.27
3/4"	10	1	01282066	87.96
3/4"	11	1	01282068	94.26
3/4"	12	1	01282070	100.50
1"	4	1	01282084	47.44
1"	5	1	01282086	55.83
1"	6	1	01282088	64.55

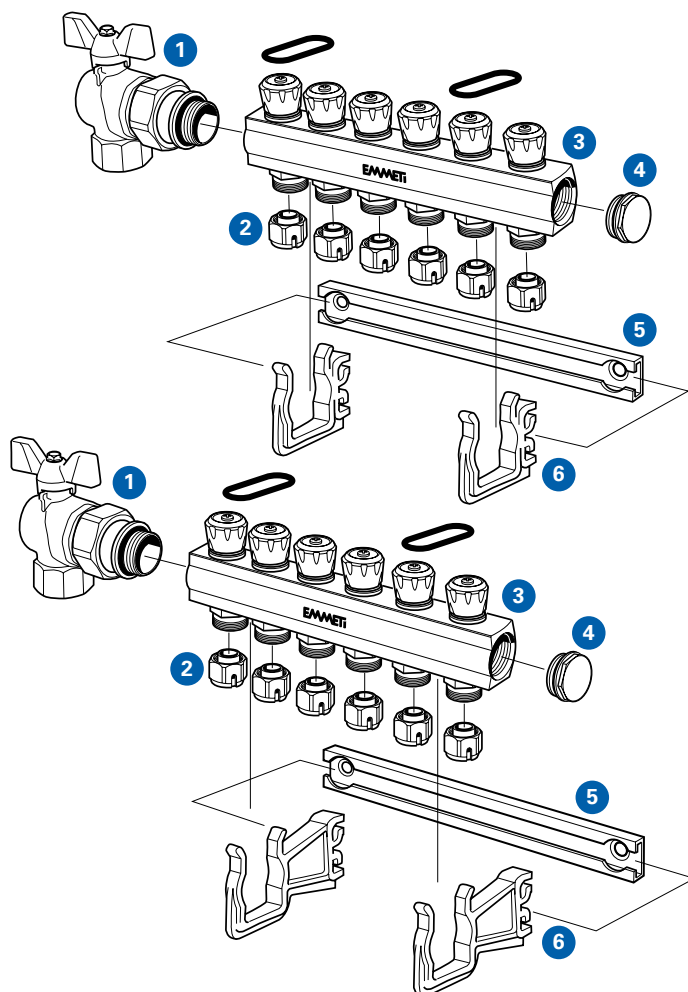
For Copper, MultiLayer, PEX, PP, PB pipe.

Please order two rails, one rail for hot and one for cold supply. Separate blue and red outlet identification labels are shipped with each order. These labels are applied by the installer on site. For 36mm interaxial spacing a 27mm spanner is required, code: 01306058 or 01306054.

For WRAS approved MLCP (MultiLayer Composite Pipe) and press fittings to accompany this range please see section 1 Gerpex.

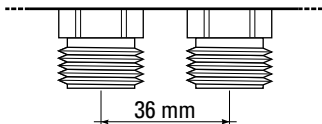
For Emmeti Monoblocco connectors, plastic or metal mounting brackets, blanking plugs and ball valves as shown in the schematic below please refer to section 9 Manifold Accessories and section 16 Ball Valves. These must be ordered separately.

## TopSan manifold assembly

**1 Ball Valves**A range of 3/4" and 1" Ball Valves are available. For the complete range please refer to section 16 'Ball Valves' or visit our website [www.emmeti.co.uk](http://www.emmeti.co.uk)**2 Monoblocco Connectors**A range of Monoblocco connectors are available to suit pipe sizes 10mm - 20mm, and different pipe types PB, PE-X, PE-RT, MLCP and Copper. For the complete range please refer to section 9 'Manifold Accessories' or visit our website [www.emmeti.co.uk](http://www.emmeti.co.uk)**3 Manifold**Code 01282050 (2way) to 012822070 (12 way) 3/4"  
Code 01282084 (4 way) to 01282088 (6 way) 1"**4 Blanking Plug**Code 90004820 3/4" M with O-ring seal  
Code 90004830 1" M with O-ring seal**5 Aluminum Slider Rail**Order two per manifold or one 400mm slider rail as this can be snapped into two 200mm lengths by hand.  
Code 01306400 400mm or  
Code 01306398 200mm.**6 Brackets**Code 01302120 3/4" Plastic Bracket Supports  
Code 01302130 1" Plastic Bracket Supports  
Sold in boxes of 10 pairs.**Additional Bracket Options****Single Metal Brackets**(Sold in pairs)  
Code 90011500 - 3/4"  
Code 90011510 - 1"**Double Metal Brackets**(Sold in pairs)  
Code 90011530 - 3/4" 200mm centres  
Code 90011540 1" 200mm centres

**Topway SN**

**Topway SN 3/4" distribution manifold, nickel-plated brass, 24x19 takeoff connections**



Distance between takeoffs : 36mm

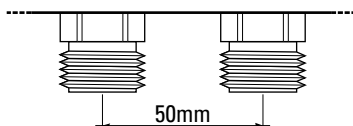
Description	Ways	Pcs/Pack	Code	Unit Price £
3/4"	2	1	01293260	15.65
3/4"	3	1	01293262	20.92
3/4"	4	1	01293264	26.15
3/4"	5	1	01293266	31.68
3/4"	6	1	01293268	36.87
3/4"	7	1	01293270	42.10
3/4"	8	1	01293272	47.67
3/4"	9	1	01293274	52.77
3/4"	10	1	01293276	62.08
3/4"	11	1	01293278	67.48
3/4"	12	1	01293280	72.54

A distribution only manifold in nickel plated brass. 3/4" F connection at each end with 24x19 outlet connection. 1/2" F port for connection of a manual or automatic air vent if required.

For WRAS approved MLCP (MultiLayer Composite Pipe) and press fittings to accompany this range please see section 1 Gerpex.

For Emmeti Monoblocco connectors, plastic or metal mounting brackets, blanking plugs and ball valves as shown in the schematic on page 21 please refer to section 9 Manifold Accessories and section 16 Ball Valves. These must be ordered separately.

**Topway SN 3/4" distribution manifold, nickel-plated brass, 24x19 takeoff connections**



Distance between takeoffs : 50mm

Description	Ways	Pcs/Pack	Code	Unit Price £
3/4"	2	1	01293290	17.61
3/4"	3	1	01293292	23.99
3/4"	4	1	01293294	30.83
3/4"	5	1	01293296	37.89
3/4"	6	1	01293298	44.35
3/4"	7	1	01293300	50.94
3/4"	8	1	01293302	57.92
3/4"	9	1	01293304	64.47
3/4"	10	1	01293306	74.63
3/4"	11	1	01293308	81.90
3/4"	12	1	01293310	88.45

A distribution only manifold in nickel plated brass. 3/4" F connection at each end with 24x19 outlet connection. 1/2" F port for connection of a manual or automatic air vent if required.

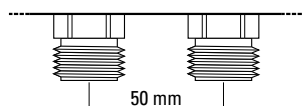
For WRAS approved MLCP (MultiLayer Composite Pipe) and press fittings to accompany this range please see section 1 Gerpex.

For Emmeti Monoblocco connectors, plastic or metal mounting brackets, blanking plugs and ball valves as shown in the schematic on page 21 please refer to section 9 Manifold Accessories and section 16 Ball Valves. These must be ordered separately.

## Price List 2017

### Topway SN (continued)

#### Topway SN 1" distribution manifold, nickel-plated brass, 24x19 takeoff connections



Distance between takeoffs : 50mm

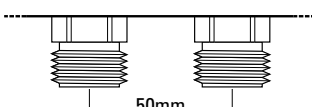
Description	Ways	Pcs/Pack	Code	Unit Price £
1"	2	1	01293830	19.56
1"	3	1	01293832	27.26
1"	4	1	01293834	34.32
1"	5	1	01293836	42.02
1"	6	1	01293838	49.07
1"	7	1	01293840	56.26
1"	8	1	01293842	64.08
1"	9	1	01293844	71.18
1"	10	1	01293846	81.81
1"	11	1	01293848	89.68
1"	12	1	01293850	97.08

A distribution only manifold in nickel plated brass. 1" F connection at each end with 24x19 outlet connection. 1/2" F port for connection of a manual or automatic air vent if required.

For WRAS approved MLCP (MultiLayer Composite Pipe) and press fittings to accompany this range please see section 1 Gerpex.

For Emmeti Monoblocco connectors, plastic or metal mounting brackets, blanking plugs, and ball valves as shown in the schematic on page 21 please refer to section 9 Manifold Accessories and section 16 Ball Valves. These must be ordered separately.

#### Topway SN 1 1/4" distribution manifold, nickel-plated brass, 24x19 takeoff connections



Distance between takeoffs : 50mm

Description	Ways	Pcs/Pack	Code	Unit Price £
1 1/4"	4	1	01294634	40.23
1 1/4"	5	1	01294636	49.41
1 1/4"	6	1	01294638	57.53
1 1/4"	7	1	01294640	65.57
1 1/4"	8	1	01294642	74.80
1 1/4"	9	1	01294644	82.96
1 1/4"	10	1	01294646	93.93
1 1/4"	11	1	01294648	104.30
1 1/4"	12	1	01294650	112.30

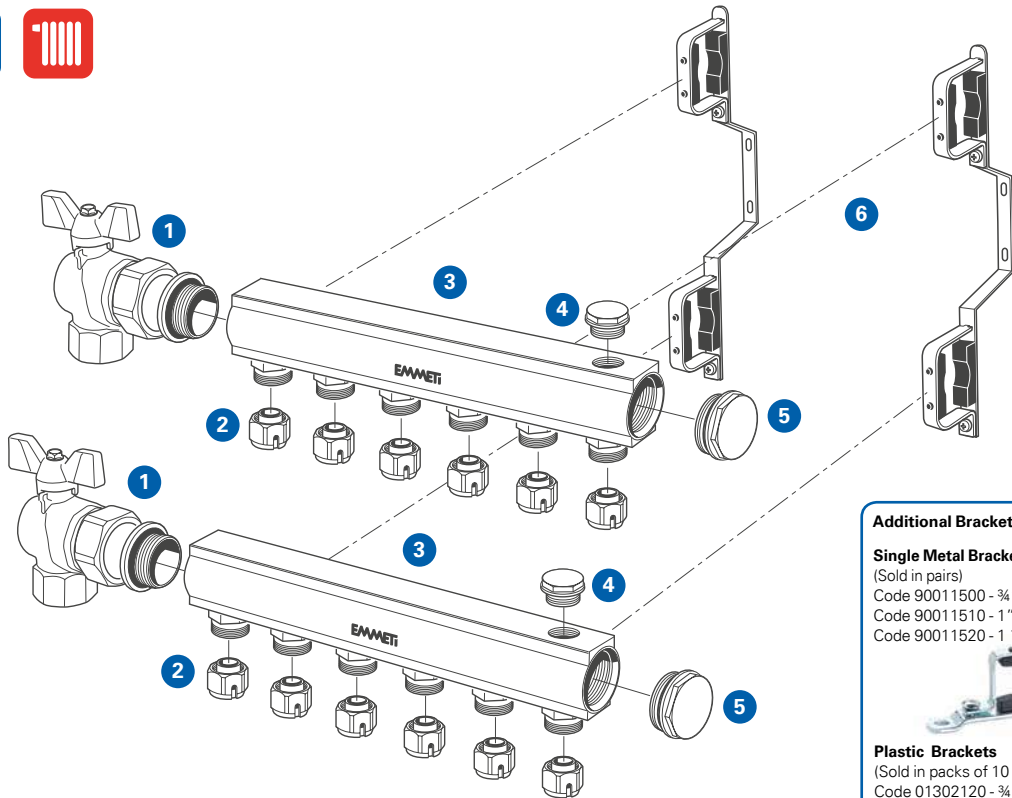
A distribution only manifold in nickel plated brass. 1" F connection at each end with 24x19 outlet connection. 1/2" F port for connection of a manual or automatic air vent if required.

For Emmeti Monoblocco connectors, plastic or metal mounting brackets, blanking plugs, manual or automatic air vents and ball valves as shown in the schematic on page 21 please refer to section 9 Manifold Accessories and section 16 Ball Valves. These must be ordered separately.



Topway SN (continued)

Topway SN manifold assembly



- 1 Ball Valves**  
A range of 3/4", 1" and 1 1/4" Ball Valves are available. For the complete range please refer to section 16 'Ball Valves' or visit our website [www.emmeti.co.uk](http://www.emmeti.co.uk)
- 2 Monoblocco Connectors**  
A range of Monoblocco connectors are available to suit pipe sizes 10mm - 20mm, and different pipe types PB, PE-Xa, PE-RT, MLCP and Copper. For the complete range please refer to section 9 'Manifold Accessories' or visit our website [www.emmeti.co.uk](http://www.emmeti.co.uk)

- 3 Manifold**  
Code 01293260 2-way to 01293280 12-way 3/4" 36mm ctrs.  
Code 01293290 2-way to 01293310 12-way 3/4" 50mm ctrs.  
Code 01293830 2-way to 01293850 12-way 1" 50mm ctrs.  
Code 01294634 4-way to 01294650 12-way 1 1/4" 50mm ctrs.  
Order 2 per set

- 4 Blanking Plug**  
Code 90004930  
1/2" M with O-ring seal

- 5 Blanking Plug**  
Code 90004820  
3/4" M with O-ring seal  
Code 90004830  
1" M with O-ring seal  
Code 90005070  
1 1/4" M with O-ring seal

- 6 Double Metal Brackets**  
**210mm centres**  
Code 90011560 3/4"  
Code 90011570 1"  
Code 90011580 1 1/4"  
supplied in pairs

Additional Bracket Options

- Single Metal Brackets**  
(Sold in pairs)  
Code 90011500 - 3/4"  
Code 90011510 - 1"  
Code 90011520 - 1 1/4"



- Plastic Brackets**  
(Sold in packs of 10 pairs)  
Code 01302120 - 3/4"  
Code 01302130 - 1"



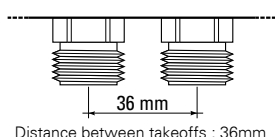
- Aluminum Slider Rail**  
Order 2 per manifold or one 400mm slider rail as this can be snapped into two 200mm lengths by hand.  
Code 01306400 400mm or  
Code 01306398 200mm.



## Price List 2017

## Multiplex

## Multiplex sanitary manifold with isolating taps, nickel-plated brass, 24x19 takeoff connections



Distance between takeoffs : 36mm

Description	Ways	Pcs/Pack	Code	Unit Price £
¾"	2	1	01307260	16.57
¾"	3	1	01307265	23.46
¾"	4	1	01307270	31.04
1"	2	1	01307280	17.17
1"	3	1	01307285	24.36
1"	4	1	01307290	32.37

For copper, MultiLayer, PEX, PP, PB pipe.

Please order two rails, one rail for hot and one for cold supply. Separate blue and red outlet identification labels are shipped with each order. These labels are applied by the installer on site. For 36mm interaxial spacing a 27mm spanner is required, code: 01306058 or 01306054.

For WRAS approved MLCP (MultiLayer Composite Pipe) and press fittings to accompany this range please see section 1 Gerpex.

For Emmeti Monoblocco connectors, plastic or metal mounting brackets, blanking plugs and ball valves as shown in the schematic below please refer to the following sections; section 9 Manifold Accessories and section 16 Ball Valves. These must be ordered separately.

## Bridging piece for Multiplex manifold

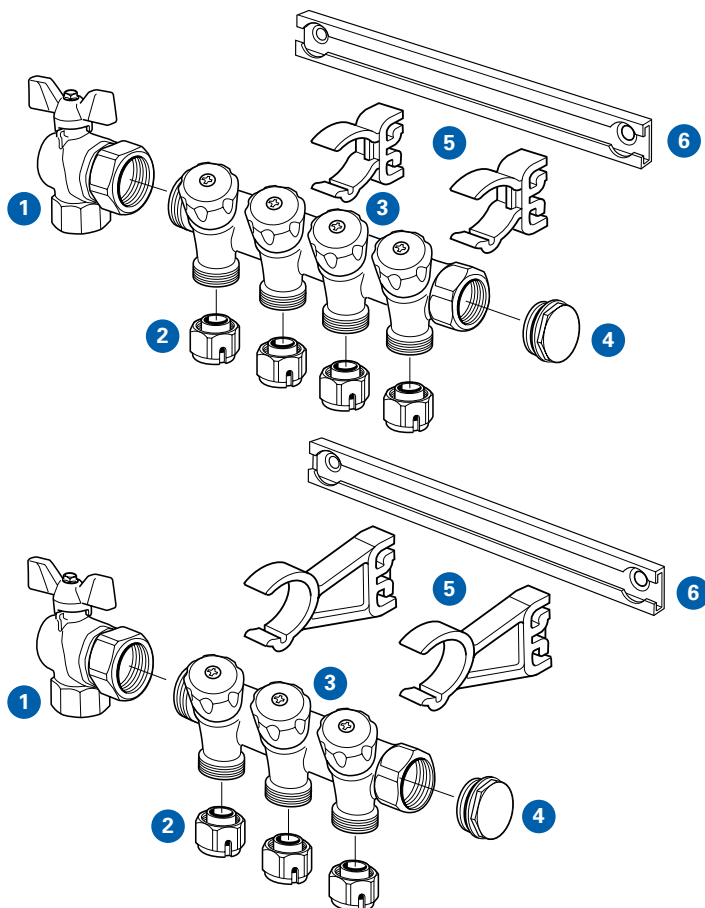


Description	Pcs/Pack	Code	Unit Price £
¾"	1	01307200	4.40
1"	1	01307210	3.93

A bridging piece to allow extension of Multiplex manifolds.

Note: Not suitable for Modular manifolds. Alternative is to use TopSan series.

## Multiplex manifold assembly



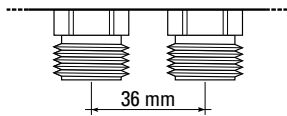
- Ball Valves**  
A range of ¾" and 1" Ball Valves are available. For the complete range please refer to section 16 'Ball Valves' or visit our website [www.emmeti.co.uk](http://www.emmeti.co.uk)
- Monoblocco Connectors**  
A range of Monoblocco connectors are available to suit pipe sizes 10mm - 20mm, and different pipe types PB, PE-X, PE-RT, MLCP and Copper. For the complete range please refer to section 9 'Manifold Accessories' or visit our website [www.emmeti.co.uk](http://www.emmeti.co.uk)
- Manifold**  
Code 01307260 (2 way) to 01307270 (4 way) ¾"  
Code 01307280 (2way) to 01307290 (4 way) 1"
- Blanking Plug**  
Code 90004820  
¾" M with O-ring seal  
Code 90004830  
1" M with O-ring seal
- Plastic Brackets**  
Code 01302140 ¾" or 01302150 1". Sold in boxes of 10 pairs.
- Aluminum Slider Rail**  
Order two per manifold or one 400mm slider rail as this can be snapped into two 200mm lengths by hand.  
Code 01306400 400mm or Code 01306398 200mm.

Modular

Modular simple manifold, nickel-plated brass, 24x19 takeoff connections



WRAS  
Certificate No.  
1507073



Distance between takeoffs : 36mm

Description	Ways	Pcs/Pack	Code	Unit Price £
3/4"	2	1	01303050	6.53
3/4"	3	1	01303052	9.26
3/4"	4	1	01303054	11.42
1"	2	1	01303060	8.51
1"	3	1	01303062	11.82
1"	4	1	01303064	14.20

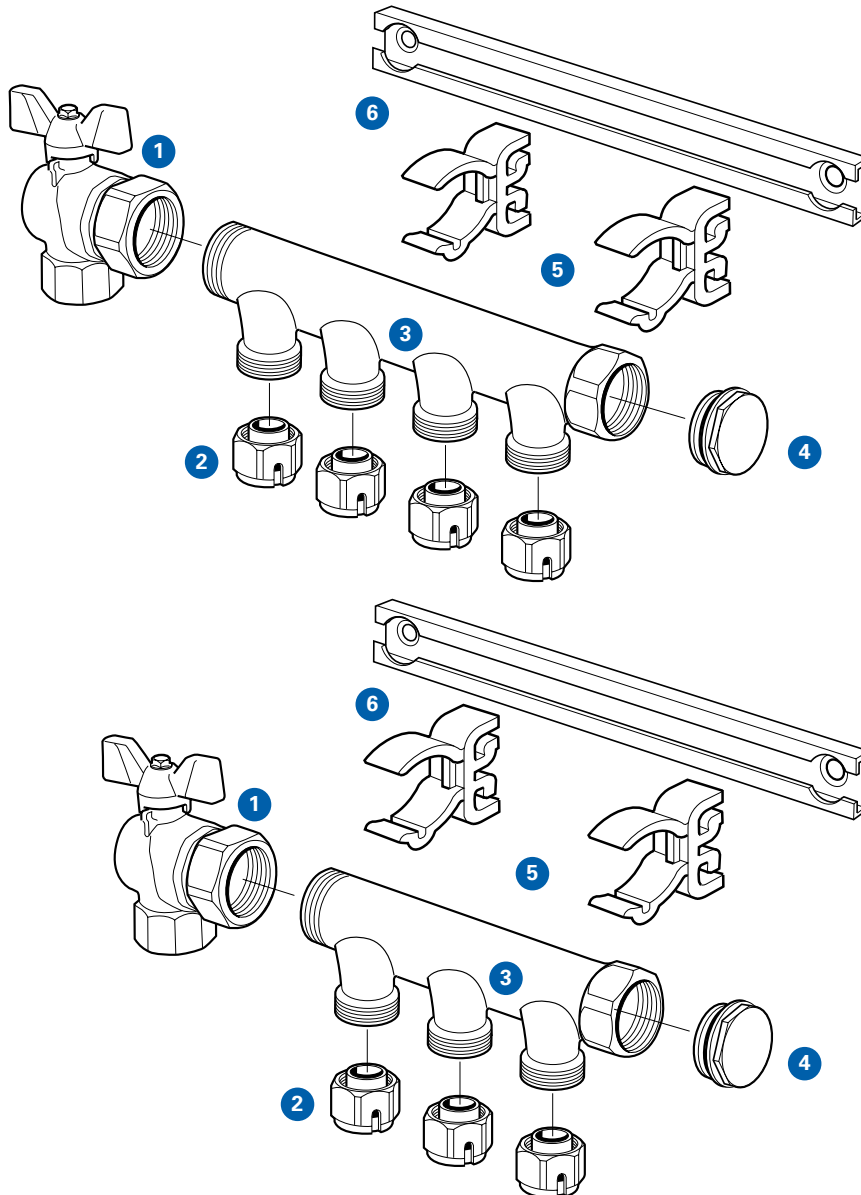
For copper, MultiLayer, PEX, PP, PB pipe. For use with plastic brackets.  
For WRAS approved MLCP (MultiLayer Composite Pipe) and press fittings to accompany this range please see section 1 Gerpex.

For 36mm interaxial spacing a 27mm spanner is required, code: 01306058 or 01306054.

For Emmeti Monoblocco connectors, plastic mounting brackets, blanking plugs, manual or automatic air vents and ball valves as shown in the schematic please refer to section 9 Manifold Accessories and section 16 Ball Valves. These must be ordered separately.

Note: bridging pieces 01307200 and 01307210 are not suitable for use with this item.

Modular manifold assembly



- 1 Ball Valves**  
A range of 3/4" and 1" Ball Valves are available. For the complete range please refer to section 16 'Ball Valves' or visit our website [www.emmeti.co.uk](http://www.emmeti.co.uk)
- 2 Monoblocco Connectors**  
A range of Monoblocco connectors are available to suit pipe sizes 10mm - 20mm, and different pipe types PB, PE-X, PE-RT, MLCP and Copper. For the complete range please refer to section 9 'Manifold Accessories' or visit our website [www.emmeti.co.uk](http://www.emmeti.co.uk)
- 3 Manifold**  
Code 01303050 (2 way) to 01303054 (4 way) 3/4"  
Code 01303060 (2way) to 01303064 (4 way) 1"
- 4 Blanking Plug**  
Code 90004820  
3/4" M with O-ring seal  
Code 90004830  
1" M with O-ring seal
- 5 Plastic Brackets**  
Code 01302140 3/4" or 01302150 1"  
Sold in boxes of 10 pairs.
- 6 Aluminum Slider Rail**  
Order two per manifold or one 400mm slider rail as this can be snapped into two 200mm lengths by hand.  
Code 01306400 400mm or Code 01306398 200mm.

## Price List 2017

### Potable Water Systems



#### Expansion Vessels for Potable Water Applications

A range of WRAS approved potable expansion vessels suitable for sanitary applications. Available in sizes from 0.16 litres, designed to prevent water hammer in systems connected to a mains water supply; through to 5000 litres designed to absorb the expansion of heated water in a potable water system. Larger vessels sizes are supplied with supporting feet.



### Pressure Reducers



#### Top Range of Dial-Up Pressure Reducers

A range of top dial pressure reducers, available between ½" and 1". Pipe union connectors are also available. Adjustable from 1 to 6 bar outlet pressure with top dial-up setting and include a built-in serviceable stainless steel filter and a gauge port (blanked off) either side. All Top range pressure reducers are WRAS approved.

## Expansion Vessels for Potable Water Applications

### Potable expansion vessel suitable for sanitary application



Description	Colour	Pcs/Pack	Code	Unit Price £
0.16 litres	Grey	1	01062012	41.23

Designed to prevent water hammer in systems connected to a mains water supply.

Max working pressure 20 bar  
 Standard pre set pressure 3.5 bar  
 Working temperature -10°C +100°C  
 Body material 304 L stainless steel  
 Membrane EPDM  
 Connection ½" MBSP

Certified 97/23/EC  
 WRAS approval no. 1205057

### Potable expansion vessels suitable for sanitary application



Description	Colour	Pcs/Pack	Code	Unit Price £
2 litres	Grey	1	00800002	35.90
5 litres	Grey	1	00800005	38.44
8 litres	Grey	1	00800008	42.37
12 litres	Grey	1	00800012	47.92
18 litres	Grey	1	00800019	51.86
24 litres	Grey	1	00800021	62.53

Designed to absorb the expansion of heated water in a potable water system.

Max working pressure 10 bar  
 Standard pre set pressure 2.5 bar (3.5 bar for 2 L and 5 L sizes)  
 Working temperature -10°C +100°C  
 Membrane butyl rubber up to 12 L, EPDM 18 L-24 L  
 Connection ¾" MBSP (½" for 2 L size)

Certified 97/23/EC  
 WRAS approval no. 1205057

### Potable expansion vessel bracket



Description	Pcs/Pack	Code	Unit Price £
Expansion vessel bracket	1	01306436	19.10

Suitable for all vessels up to 24 litres (260mm dia), with connection size ¾" and 1" MBSP.

## Price List 2017

### Expansion Vessels for Potable Water Applications (continued)

#### Potable expansion vessels suitable for sanitary application



WRAS

Description	Colour	Pcs/Pack	Code	Unit Price £
35 litres	Blue	1	00800590	162.10
50 litres	Blue	1	00800600	173.70
60 litres	Blue	1	00800605	284.40
80 litres	Blue	1	00800610	273.30
100 litres	Blue	1	00800615	326.50
150 litres	Blue	1	00800620	548.80
200 litres	Blue	1	00800625	671.50
300 litres	Blue	1	00800630	875.30

Designed to absorb the expansion of heated water in a potable water system. Vessels are supplied with supporting feet.

Max working pressure 10 bar  
Standard pre set pressure 1.5 bar for 35 L - 80 L sizes  
2.5 bar for 100 L - 300 L sizes

Working temperature -10°C +100°C  
Membrane EPDM  
Connection 1" MBSP 35 L - 150 L sizes  
1 1/4" MBSP 200 L - 300 L sizes

Certified 97/23/EC  
WRAS approval no. 1205057

#### Potable expansion vessels suitable for sanitary application



WRAS

Description	Colour	Pcs/Pack	Code	Unit Price £
750 litres	Blue	1	00800645	4,024.00
1000 litres	Blue	1	00800650	4,576.00
1500 litres	Blue	1	00800655	6,421.00
2000 litres	White	1	00800660	13,823.00
3000 litres	White	1	00800670	20,741.00
5000 litres	White	1	00800680	31,991.00

Designed to absorb the expansion of heated water in a potable water system. Vessels are supplied with supporting feet.

Max working pressure 10 bar  
Standard pre set pressure 2.5 bar  
Working temperature -10°C +50°C  
Membrane EPDM 750 L - 1500 L sizes  
Butyl rubber 2000 L - 5000 L sizes  
Connection 2" MBSP 750 L size  
2 1/2" MBSP 1000 L - 1500 L sizes  
DN65 2000 L - 5000 L sizes

Certified 97/23/EC  
WRAS approved no. 1205057

### Top Range of Dial Up Pressure Reducers

#### Top dial up cold water pressure reducer, transparent filter inspection cover

WRAS

Certificate No.  
1403704



Description	Pcs/Pack	Code	Unit Price £
1/2" M-M Union	1	28103450	55.32
3/4" M-M Union	1	28103452	58.58
1" M-M Union	1	28103454	70.70

Simple dial up pressure setting design, with integrated serviceable filter, and a blanked off gauge port on either side. Comes complete with pipe union connectors.

Maximum upstream pressure 16 bar.  
Adjustable downstream pressure 1-6 bar.  
Maximum temperature 30°C.



## Type 1 Wall Hung Radiator Manifolds (WHR) Manifolds



### Type 1 Topway WHR

A range of nickel plated, extruded brass manifolds pre-assembled for easy installation, specifically designed for point to point radiator systems to minimise joints and leaks. Available with 3/4" flow and return rails, from 2 ways to 12 ways for use with conventional manual and thermostatic radiator valves. Manifolds can be surface mounted, concealed in a cabinet or within a partition wall. Flow and return outlets are offset for ease of installation.

Also available are ball valves, fittings and Monoblocco pipe connectors to accommodate a wide range of pipe types and sizes.



### Type 1 TopSan

A range of nickel plated, extruded brass manifolds with colour coded individual circuit isolation valves, suitable for both radiator and potable water systems. Available in 3/4" single rails from 2 ways to 12 ways, and a 1" version in 4, 5 and 6 ways. Can be mounted vertically or horizontally using single or double mounting brackets or slider rail bracket system. Can be surface mounted, concealed in a cabinet or within a partition wall.

Also available are ball valves, fittings and Monoblocco pipe connectors to accommodate a wide range of pipe types and sizes.



### Type 1 Topway Single Bar

A range of nickel plated, extruded brass radiator or potable water manifolds, supplied as single bars. Available in 3/4", 1" & 1 1/4" single rails from 2 ways to 12 ways it can be used with conventional radiator systems. Can be mounted vertically or horizontally using single or double mounting brackets or slider rail bracket system. Can be surface mounted, concealed in a cabinet or within a partition wall.

Also available are ball valves, fittings and Monoblocco pipe connectors to accommodate a wide range of pipe types and sizes.



### Type 1 Mixer Co-Planar Manifold

A compact steel manifold designed for point to point plumbing of radiator systems to minimise joints and leaks. Can be surface mounted, concealed in a cabinet or within a partition wall for a flexible solution to mounting. Available in 2, 4, 6, 8 and 10 way versions in 3/4". Radiator pipes can be connected to the manifold in matching pairs for simplicity and time-saving during installation. Primary pipes can be connected from opposing or same ends to suit on site pipework.

Also available are ball valves, fittings and Monoblocco pipe connectors to accommodate a wide range of pipe types and sizes.



### Type 1 Commercial Heating Manifolds & Accessories

Drawn steel tube 2" manifolds specifically designed for point to point plumbing of radiator systems to minimise joints and leaks. Individual circuit isolation can be added by ordering 3/4" ball valves. Available from 5 ways to 15 ways, with 2" M primary and 3/4" F takeoff connections. Supplied with mounting brackets, blanking caps, automatic air vent, fill and drain valve, flow and return temperature gauges.

Also available are ball valves, fittings and Monoblocco pipe connectors to accommodate a wide range of pipe types and sizes.

## Price List 2017

### Type 1 Topway WHR

Type 1 Topway WHR pre-assembled manifold, nickel-plated brass, 24x19 takeoff connections



Description	Ways	Pcs/Pack	Code	Unit Price £
3/4"	2	1	01299670	64.47
3/4"	3	1	01299672	75.39
3/4"	4	1	01299674	87.00
3/4"	5	1	01299676	102.70
3/4"	6	1	01299678	114.10
3/4"	7	1	01299680	129.70
3/4"	8	1	01299682	144.50
3/4"	9	1	01299684	156.40
3/4"	10	1	01299686	171.50
3/4"	11	1	01299688	189.60
3/4"	12	1	01299690	201.50

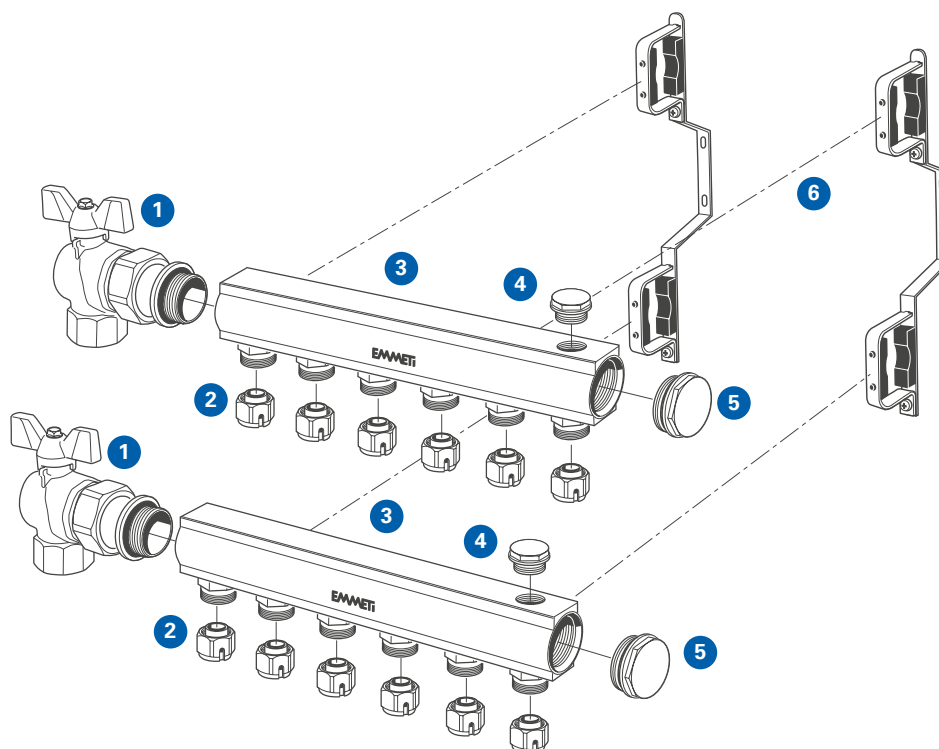
**Note: The product does not include the ball valves pictured here.**

For MLCP (MultiLayer Composite Pipe) and press fittings to accompany this range please see section 1 GerpeX.

Includes metal brackets, 2 x 3/4" blanking plugs and 2 x 1/2" manual air vents.

For Emmeti Monoblocco connectors, plastic or metal mounting brackets, blanking plugs, manual or automatic air vents and ball valves as shown in the schematic, please refer to section 9 Manifold Accessories and section 16 Ball Valves. These must be ordered separately.

### Type 1 Topway WHR pre-assembled manifold



- 1 Ball Valves**  
A range of 3/4" Ball Valves are available. For the complete range please refer to section 16 'Ball Valves' or visit our website [www.emmeti.co.uk](http://www.emmeti.co.uk)

- 2 Monoblocco Connectors**  
A range of Monoblocco connectors are available to suit pipe sizes 10mm - 20mm, and different pipe types PB, PE-X, PE-RT, MLCP and Copper. For the complete range please refer to section 9 'Manifold Accessories' or visit our website [www.emmeti.co.uk](http://www.emmeti.co.uk)

- 3 Manifold**  
Code 01299670 2-way to 01299690 12-way 3/4"

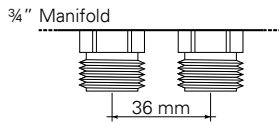
- 4 Blanking Plug**  
Code 90004930 1/2" M with O-ring seal  
Optional:  
Code 00400004 Tecno-Varia auto air vent 1/2"  
Code 00410021 Bleed Valve and Manual air vent 1/2"

- 5 Blanking Plug**  
Code 90004820 3/4" M with O-ring seal

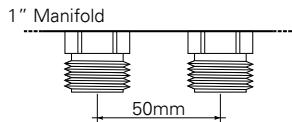
- 6 Metal Brackets (210mm centres)**  
Code 90011560 3/4" Supplied in pairs

**Type 1 TopSan**

Type 1 TopSan heating manifold with isolating taps, nickel-plated brass, 24x19 takeoff connections



Distance between takeoffs : 36mm



Distance between takeoffs : 50mm

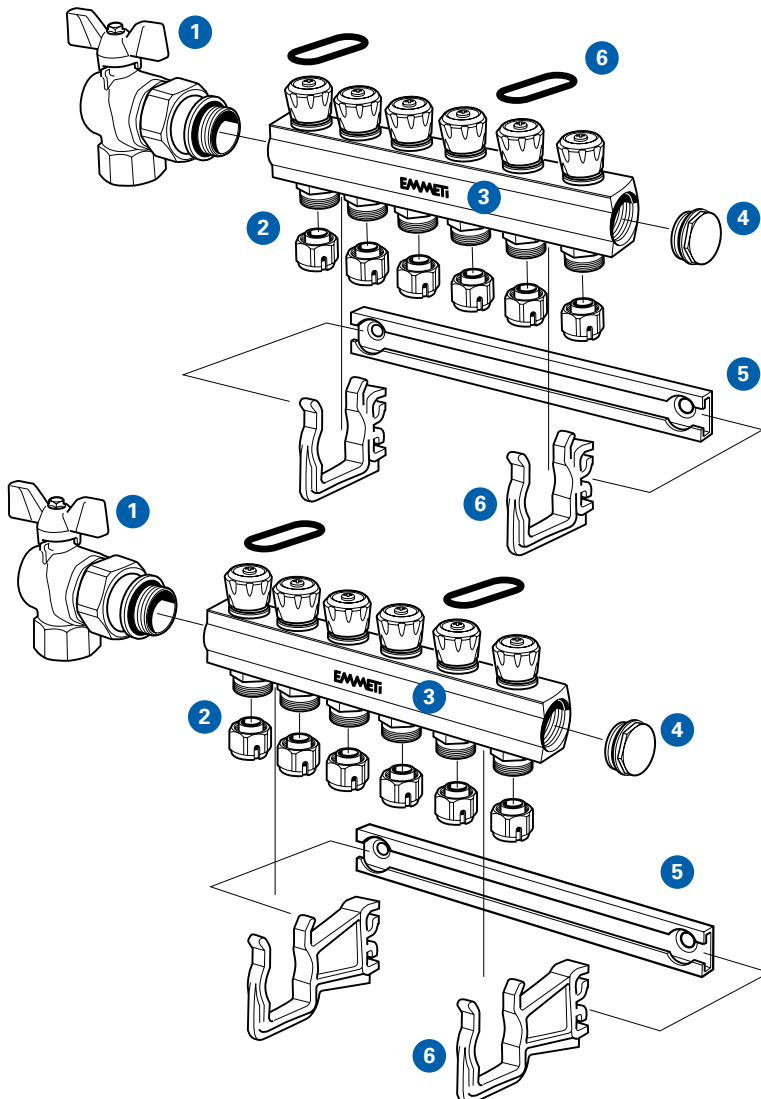
Description	Ways	Pcs/Pack	Code	Unit Price £
3/4"	2	1	01282050	27.17
3/4"	3	1	01282052	33.63
3/4"	4	1	01282054	40.48
3/4"	5	1	01282056	46.94
3/4"	6	1	01282058	53.37
3/4"	7	1	01282060	61.25
3/4"	8	1	01282062	70.93
3/4"	9	1	01282064	77.27
3/4"	10	1	01282066	87.96
3/4"	11	1	01282068	94.26
3/4"	12	1	01282070	100.50
1"	4	1	01282084	47.44
1"	5	1	01282086	55.83
1"	6	1	01282088	64.55

Supplied as individual rails, not as a kit. See schematic for proposed kit. For 36mm interaxial spacing between connections a 27mm spanner is required, code: 01306058 or 01306054.

For MLCP (MultiLayer Composite Pipe) and press fittings to accompany this range please see section 1 Gerpex.

For Emmeti Monoblocco connectors, plastic mounting brackets, blanking plugs and ball valves as shown in the schematic below please refer to section 9 Manifold Accessories and section 16 Ball Valves. These must be ordered separately.

**Type 1 TopSan manifold assembly**



- Ball Valves**  
A range of 3/4" and 1" Ball Valves are available. For the complete range please refer to section 16 'Ball Valves' or visit our website [www.emmeti.co.uk](http://www.emmeti.co.uk)
- Monoblocco Connectors**  
A range of Monoblocco connectors are available to suit pipe sizes 10mm - 20mm, and different pipe types PB, PE-X, PE-RT, MLCP and Copper. For the complete range please refer to section 9 'Manifold Accessories' or visit our website [www.emmeti.co.uk](http://www.emmeti.co.uk)
- Manifold**  
Code 01282050 2-way to 01282070  
12-way 3/4"  
Code 01282084 4-way to 01282088  
6-way 1"
- Blanking Plug**  
Code 90004820 3/4" M with O-ring seal  
Code 90004830 1" M with O-ring seal
- Aluminum Slider Rail**  
Order two per manifold or one 400mm slider rail as this can be snapped into two 200mm lengths by hand.  
Code 01306400 400mm or  
Code 01306398 200mm.
- Plastic Brackets**  
Code 01302130 1"  
Code 01302120 3/4"  
Sold in boxes of 10 pairs.

**Additional Bracket Options**

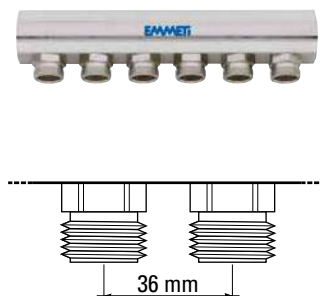
**Single Metal Brackets**  
(Sold in pairs)  
Code 90011500 - 3/4"  
Code 90011510 - 1"

**Double Metal Brackets**  
(Sold in pairs)  
Code 90011530 - 3/4" 200mm centres  
Code 90011540 - 1" 200mm centres

## Price List 2017

## Type 1 Topway Single Bar

Type 1 Topway 3/4" distribution manifold, nickel-plated brass, 24x19 takeoff connections



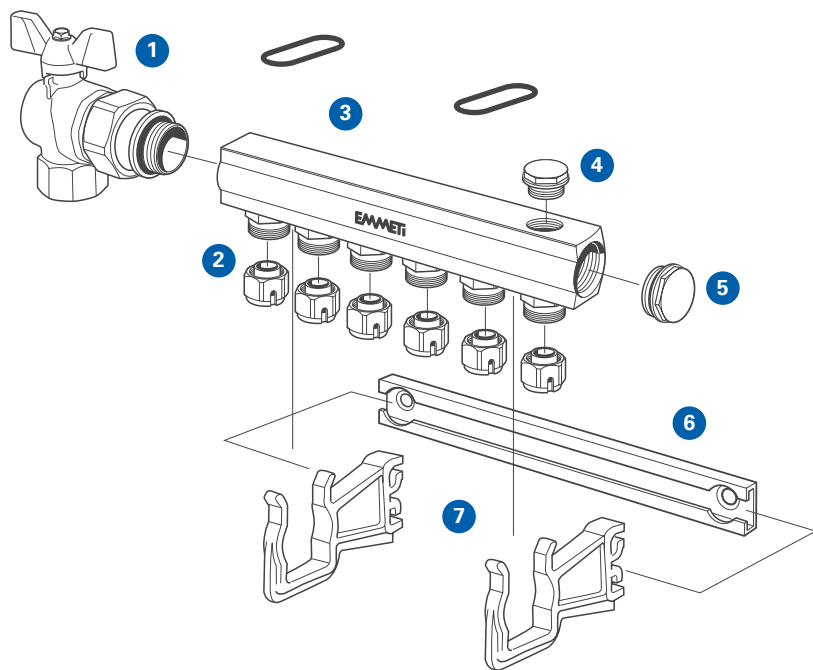
Description	Ways	Pcs/Pack	Code	Unit Price £
3/4"	2	1	01293260	15.65
3/4"	3	1	01293262	20.92
3/4"	4	1	01293264	26.15
3/4"	5	1	01293266	31.68
3/4"	6	1	01293268	36.87
3/4"	7	1	01293270	42.10
3/4"	8	1	01293272	47.67
3/4"	9	1	01293274	52.77
3/4"	10	1	01293276	62.08
3/4"	11	1	01293278	67.48
3/4"	12	1	01293280	72.54

Supplied as individual rails, not as a kit. See schematic for proposed kit. Supplied with single 1/2" FBSP hole on top surface, suitable for manual or automatic air vent.

Distance between takeoffs: 36mm centres. For 36mm interaxial spacing a 27mm spanner is required, code: 01306058 or 01306054. For MLCP (MultiLayer Composite Pipe) and press fittings to accompany this range please see section 1 Gerpex.

For Emmeti Monoblocco connectors, plastic or metal mounting brackets, blanking plugs, manual or automatic air vents and ball valves as shown in the schematic below please refer to section 9 Manifold Accessories and section 16 Ball Valves. These must be ordered separately.

## Type 1 Topway Single Bar manifold kit



## Additional Bracket Options

## Single Metal Brackets

(Sold in pairs)  
Code 90011500 - 3/4"

## Double Metal Brackets

(Sold in pairs)  
Code 90011530 - 3/4" 200mm centres

## 1 Ball Valves (Optional)

A range of 3/4" Ball Valves are available. For the complete range please refer to section 16 'Ball Valves' or visit our website [www.emmeti.co.uk](http://www.emmeti.co.uk)

## 2 Monoblocco Connectors

A range of Monoblocco connectors are available to suit pipe sizes 10mm - 20mm, and different pipe types PB, PE-X, PE-RT, MLCP and Copper. For the complete range please refer to section 9 'Manifold Accessories' or visit our website [www.emmeti.co.uk](http://www.emmeti.co.uk)

## 3 Manifold

Code 01293260 2-way to 01293280  
12-way 3/4" 36mm ctrs.  
Code 01293290 2-way to 01293310  
12-way 3/4" 50mm ctrs.  
Order 2 per set, Flow and Return.

## 4 Blanking Plug

Code 90004930 1/2" M with O-ring seal  
Optional:  
Tecno-Varia auto air vent 1/2" -  
Code 00400004  
Bleed Valve and Manual air vent 1/2" -  
Code 00410021

## 5 Blanking Plug

Code 90004820  
3/4" M with O-ring seal

## 6 Aluminium Slider Rail

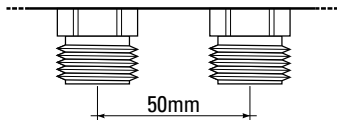
Order two per manifold or one 400mm slider rail as this can be snapped into two 200mm lengths by hand.  
Code 01306400 400mm or  
Code 01306398 200mm.

## 7 Plastic Brackets

Code 01302120 3/4"  
Sold in boxes of 10 pairs.

**Type 1 Topway Single Bar** (continued)

**Type 1 Topway 3/4" distribution manifold, nickel-plated brass, 24x19 takeoff connections**



Distance between takeoffs: 50mm centres.

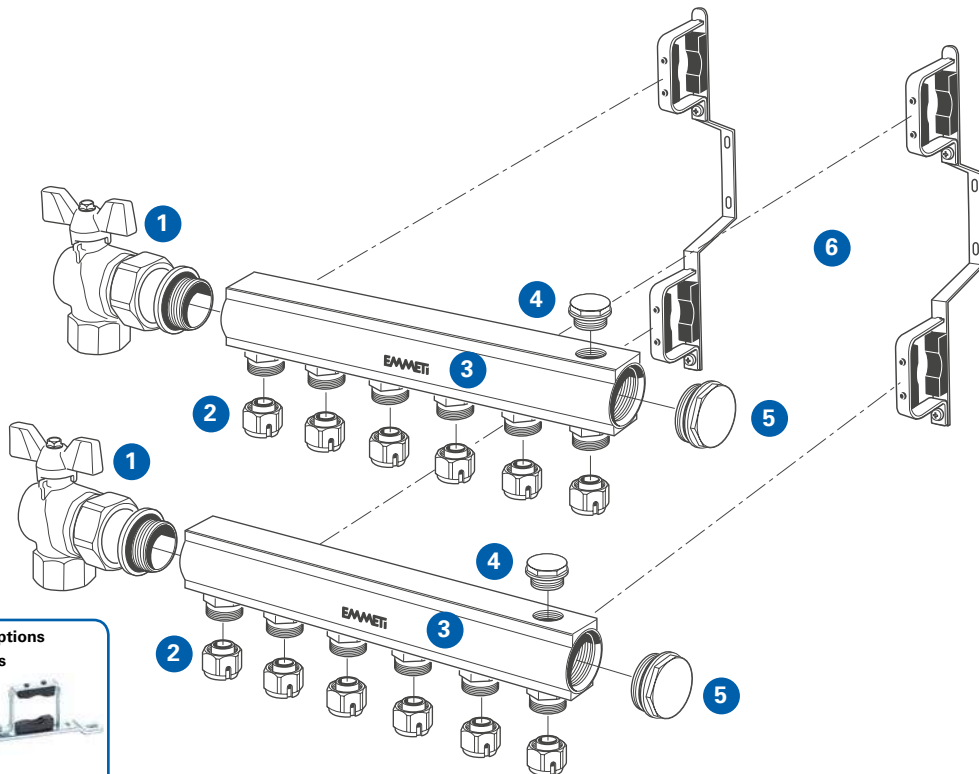
Description	Ways	Pcs/Pack	Code	Unit Price £
3/4"	2	1	01293290	17.61
3/4"	3	1	01293292	23.99
3/4"	4	1	01293294	30.83
3/4"	5	1	01293296	37.89
3/4"	6	1	01293298	44.35
3/4"	7	1	01293300	50.94
3/4"	8	1	01293302	57.92
3/4"	9	1	01293304	64.47
3/4"	10	1	01293306	74.63
3/4"	11	1	01293308	81.90
3/4"	12	1	01293310	88.45

Supplied as individual rails, not as a kit. See schematic for proposed kit. Supplied with single 1/2" FBSP hole on top surface, suitable for manual or automatic air vent. Suitable for use with plastic or metal brackets.

For MLCP (MultiLayer Composite Pipe) and press fittings to accompany this range please see section 1. Gerpex.

For Emmeti Monoblocco connectors, plastic or metal mounting brackets, blanking plugs, manual or automatic air vents and ball valves as shown in the schematic below please refer to section 9 Manifold Accessories and section 16 Ball Valves. These must be ordered separately.

**Type 1 Topway Single Bar manifold assembly**



**Additional Bracket Options**  
**Single Metal Brackets**  
 (Sold in pairs)  
 Code 90011500 - 3/4"



**Aluminum Slider Rail**  
 Order two per manifold or one 400mm slider rail as this can be snapped into two 200mm lengths by hand.  
 Code 01306400 400mm or Code 01306398 200mm.

**Plastic Brackets**  
 (Sold in packs of 10 pairs)  
 Code 01302120 - 3/4"



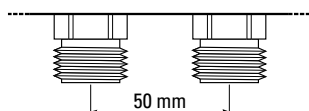
- 1 Ball Valves**  
 A range of 3/4" Ball Valves are available. For the complete range please refer to section 16 'Ball Valves' or visit our website [www.emmeti.co.uk](http://www.emmeti.co.uk)
- 2 Monoblocco Connectors**  
 A range of Monoblocco connectors are available to suit pipe sizes 10mm - 20mm, and different pipe types PB, PE-X, PE-RT, MLCP and Copper. For the complete range please refer to section 9 'Manifold Accessories' or visit our website [www.emmeti.co.uk](http://www.emmeti.co.uk)
- 3 Manifold**  
 Code 01293260 2-way to 01293280 12-way 3/4" 36mm ctrs.  
 Code 01293290 2-way to 01293310 12-way 3/4" 50mm ctrs.  
 Order 2 per set - Flow and Return.
- 4 Blanking Plug**  
 Code 90004930 - 1/2" M with O-ring seal  
 Optional:  
 Code 00400004 Techno-Varia auto air vent 1/2"  
 Code 00410021 Bleed Valve and Manual air vent 1/2"
- 5 Blanking Plug**  
 Code 90004820 3/4" M with O-ring seal
- 6 Metal Brackets**  
 Code 90011530 3/4" 200mm centres



## Price List 2017

## Type 1 Topway Single Bar (continued)

## Type 1 Topway 1" distribution manifold, nickel-plated brass, 24x19 takeoff connections



Distance between takeoffs: 50mm centres.

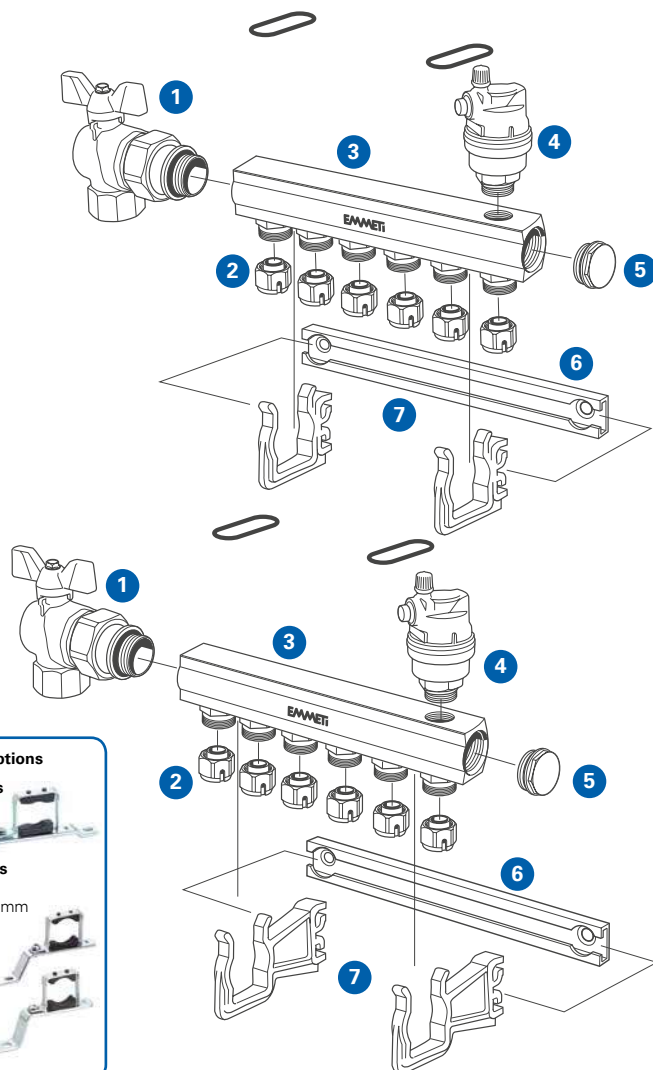
Description	Ways	Pcs/Pack	Code	Unit Price £
1"	2	1	01293830	19.56
1"	3	1	01293832	27.26
1"	4	1	01293834	34.32
1"	5	1	01293836	42.02
1"	6	1	01293838	49.07
1"	7	1	01293840	56.26
1"	8	1	01293842	64.08
1"	9	1	01293844	71.18
1"	10	1	01293846	81.81
1"	11	1	01293848	89.68
1"	12	1	01293850	97.08

Supplied as individual rails, not as a kit. See schematic for proposed kit. Supplied with single ½" FBSP hole on top surface, suitable for manual or automatic air vent. Suitable for use with plastic or metal brackets.

For MLCP (MultiLayer Composite Pipe) and press fittings to accompany this range please see section 1 Gerpex.

For Emmeti Monoblocco connectors, plastic or metal mounting brackets, blanking plugs, manual or automatic air vents and ball valves as shown in the schematic below please refer to section 9 Manifold Accessories and section 16 Ball Valves. These must be ordered separately.

## Type 1 Topway Single Bar manifold set - slider rail kit



## Additional Bracket Options

## Single Metal Brackets

(Sold in pairs)  
Code 90011510 - 1"

## Double Metal Brackets

(Sold in pairs)  
Code 90011540 1" 200mm

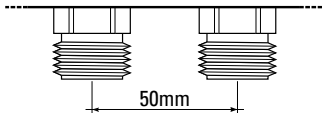


- Ball Valves**  
A range of 1" Ball Valves are available. For the complete range please refer to section 16 'Ball Valves' or visit our website [www.emmeti.co.uk](http://www.emmeti.co.uk)
- Monoblocco Connectors**  
A range of Monoblocco connectors are available to suit pipe sizes 10mm - 20mm, and different pipe types PB, PE-X, PE-RT, MLCP and Copper. For the complete range please refer to section 9 'Manifold Accessories' or visit our website [www.emmeti.co.uk](http://www.emmeti.co.uk)
- Manifold**  
Code 01293830 2-way to 01293850 12-way 1" 50mm ctrs.  
Order 2 per set - Flow and Return
- Blanking Plug**  
Code 90004930  
½" M with O-ring seal  
Optional:  
Code 00400004 Tecno-Varia auto air vent ½"  
Code 00410021 Bleed Valve and Manual air vent ½"
- Blanking Plug**  
Code 90004830  
1" M with O-ring seal
- Aluminum Slider Rail**  
Order two per manifold or one 400mm slider rail as this can be snapped into two 200mm lengths by hand.  
Code 01306400 400mm or  
Code 01306398 200mm.
- Plastic Bracket Supports**  
Code 01302130 1"  
Sold in boxes of 10 pairs



**Type 1 Topway Single Bar** (continued)

**Type 1 Topway 1¼" distribution, manifold nickel-plated brass, 24x19 takeoff connections**



Distance between takeoffs: 50mm centres.

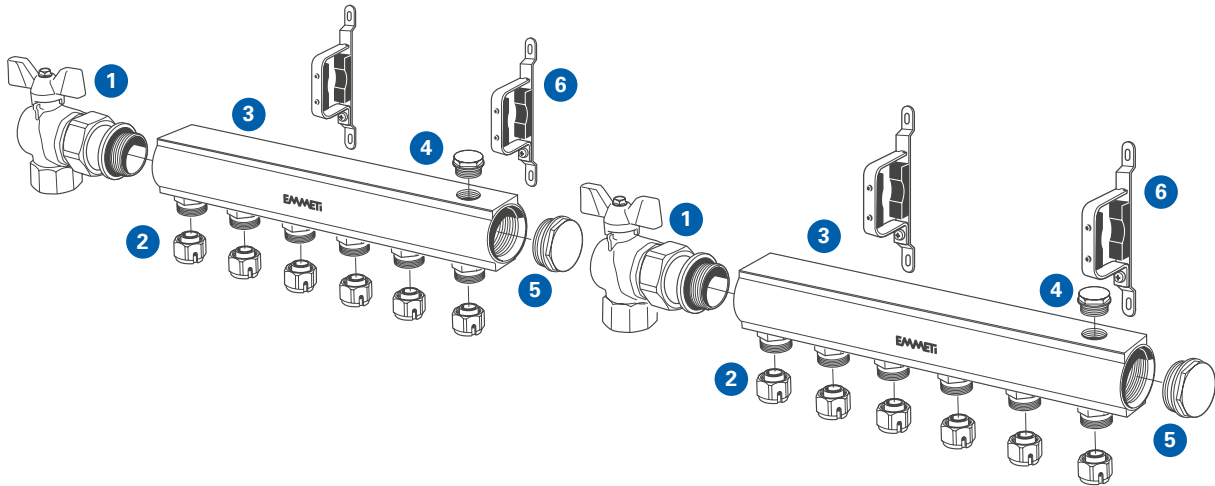
Description	Ways	Pcs/Pack	Code	Unit Price £
1¼"	4	1	01294634	40.23
1¼"	5	1	01294636	49.41
1¼"	6	1	01294638	57.53
1¼"	7	1	01294640	65.57
1¼"	8	1	01294642	74.80
1¼"	9	1	01294644	82.96
1¼"	10	1	01294646	93.93
1¼"	11	1	01294648	104.30
1¼"	12	1	01294650	112.30

Supplied as individual rails, not as a kit. See schematic for proposed kit. Supplied with single ½" FBSP hole on top surface, suitable for manual or automatic air vent. Suitable for use with metal brackets only.

For MLCP (MultiLayer Composite Pipe) and press fittings to accompany this range please see section 1 Gerpex.

For Emmeti Monoblocco connectors, plastic or metal mounting brackets, blanking plugs, manual or automatic air vents and ball valves as shown in the schematic please refer to section 9 Manifold Accessories and section 16 Ball Valves. These must be ordered separately.

**Type 1 Topway Single Bar manifold set - single bracket mounting**



- 1 Ball Valves**  
A range of 1¼" Ball Valves are available. For the complete range please refer to section 16 'Ball Valves' or visit our website [www.emmeti.co.uk](http://www.emmeti.co.uk)

- 2 Monoblocco Connectors**  
A range of Monoblocco connectors are available to suit pipe sizes 10mm - 20mm, and different pipe types PB, PE-X, PE-RT, MLCP and Copper. For the complete range please refer to section 9 'Manifold Accessories' or visit our website [www.emmeti.co.uk](http://www.emmeti.co.uk)

- 3 Manifold**  
Code 01294634 4-way to 01294650 12-way 1¼" 50mm ctrs. Order 2 per set - Flow and Return

- 4 Blanking Plug**  
Code 90004930  
½" M with O-ring seal  
Optional:  
Code 00400004 Tecno-Varia auto air vent ½"  
Code 00410021 Bleed Valve and Manual air vent ½"

- 5 Blanking Plug**  
Code 90005070  
1¼" M with O-ring seal
- 6 Single Metal Brackets**  
Code 90011520 - 1¼" supplied in pairs

**Additional Bracket Options**  
**Double Metal Brackets**  
(Sold in pairs)  
Code 90011550 1¼" 200mm centres



## Price List 2017

## Type 1 Mixer Co-Planar Manifold

Type 1 Mixer co-planar manifold, steel nickel-plated, 24x19 takeoff connections

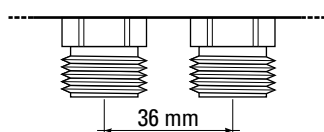


Description	Ways	Pcs/Pack	Code	Unit Price £
¾"	2x2	1	01290800	33.56
¾"	4x4	1	01290810	44.60
¾"	6x6	1	01290820	54.50
¾"	8x8	1	01290830	68.13
¾"	10x10	1	01290840	73.87

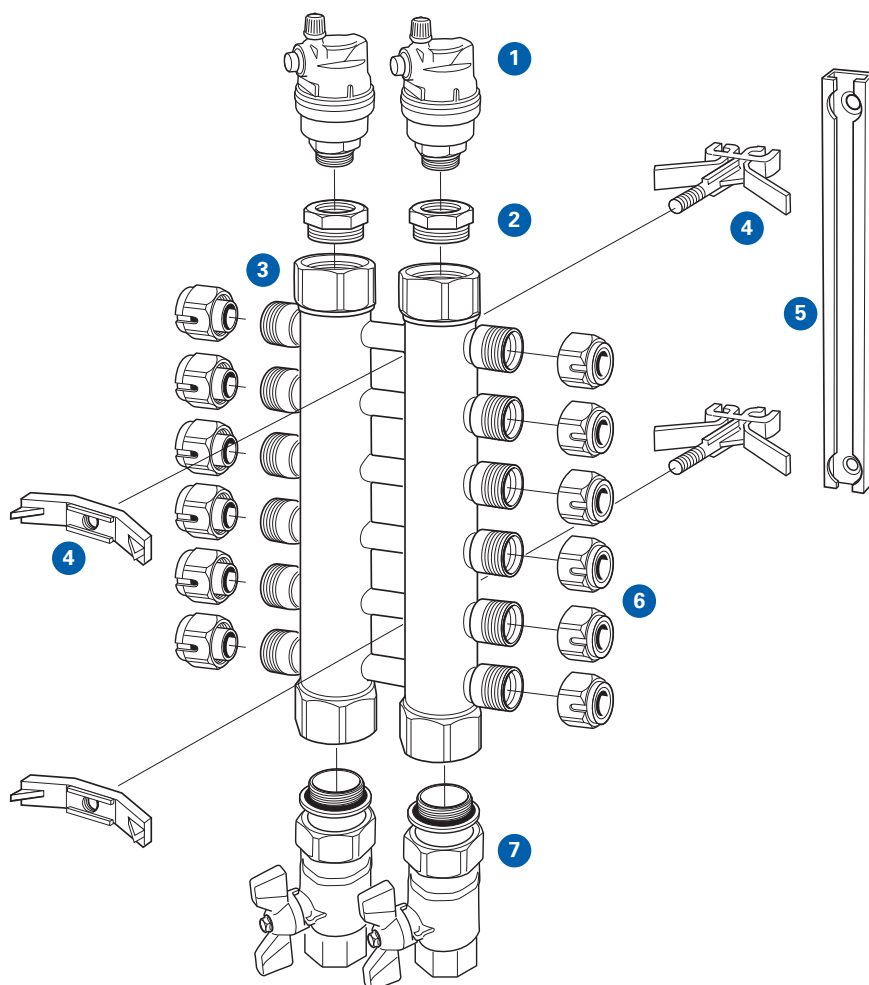
Supplied as a pair of linked rails only, not as a kit. See schematic for proposed kit.

For MLCP (MultiLayer Composite Pipe) and press fittings to accompany this range please see section 1 Gerpex.

For Emmeti Monoblocco connectors, mounting brackets, blanking plugs, manual or automatic air vents and ball valves as shown in the schematic please refer to section 9 Manifold Accessories and section 16 Ball Valves. These must be ordered separately.



## Type 1 Mixer Manifold Assembly



- 1 Automatic Air Vent**  
Optional Code 00400004, ½" Tecno-Varia automatic air vent  
Option:  
Code 00410021 Bleed Valve and Manual air vent ½"
- 2 Reducer Fittings**  
Code 90004840 ¾" M x ½" F reducer, nickel plated
- 3 Manifold**  
Code 01290800 2x2 to 01290840 10x10 ¾" 36mm ctrs.
- 4 Plastic Brackets**  
Code 01302160 bracket support kit including retainer, sold in boxes of 10.
- 5 Aluminum Slider Rail**  
Order two per manifold or one 400mm slider rail as this can be snapped into two 200mm lengths by hand.  
Code 01306400 400mm or  
Code 01306398 200mm.
- 6 Monoblocco Connectors**  
A range of Monoblocco connectors are available to suit pipe sizes 10mm - 20mm, and different pipe types PB, PE-X, PE-RT, MLCP and Copper. For the complete range please refer to section 9 'Manifold Accessories' or visit our website [www.emmeti.co.uk](http://www.emmeti.co.uk)
- 7 Ball Valves (Optional)**  
A range of ¾" Ball Valves are available For the complete range please refer to section 16 'Ball Valves' or visit our website [www.emmeti.co.uk](http://www.emmeti.co.uk)

## Type 1 Commercial Heating Manifolds

Type 1 Steel nickel-plated manifold, with 3/4" F takeoff connections



Description	Ways	Pcs/Pack	Code	Unit Price £
2"	5 + 5	1	07400460	398.80
2"	6 + 6	1	07400462	432.60
2"	7 + 7	1	07400464	462.90
2"	8 + 8	1	07400466	479.50
2"	9 + 9	1	07400468	519.30
2"	10 + 10	1	07400470	552.50
2"	11 + 11	1	07400472	584.50
2"	12 + 12	1	07400474	610.90
2"	13 + 13	1	07400476	647.90
2"	14 + 14	1	07400478	687.50
2"	15 + 15	1	07400480	732.30

Manifolds bars and outlet branches in drawn steel Fe 306B EN 10305, braze welded in copper and zinc plated.

For MLCP (MultiLayer Composite Pipe) and press fittings to accompany this range please see section 1 Gerpex.

Kit contents: 2 x female blanking plugs; 1 x drain/fill valve; 1 x manual/auto air vent; 2 x temperature gauges; pair of metal mounting brackets.

**Supplied without ball valves. For ball valves to use with 3/4" F manifold connections refer to below.**

## Commercial Heating Manifold Accessories

3/4" male BSP ball valve with butterfly handle and adaptor for use with commercial manifolds



Description	Pcs/Pack	Code	Unit Price £
24x19 - red handle	1	01306196	11.45
32x1.5 - red handle	1	01306192	11.77
24x19 - blue handle	1	01306198	11.45
32x1.5 - blue handle	1	01306194	11.77

Choose 24x19 for connectors up to 20mm and 32x1.5 for 25mm and 26mm connectors. The valves must be used fully open or closed. Not suitable for flow regulation.

Straight male-male BSP joint, nickel-plated



Description	Thread	Pcs/Pack	Code	Unit Price £
3/4" M BSP	24x19	1	28103050	2.78
3/4" M BSP	32x1.5	1	28103060	3.09

Choose 24x19 for connectors up to 20mm and 32x1.5 for 25mm and 26mm connectors. For Monoblocco pipe connectors section 9 Manifold Accessories.

## Price List 2017

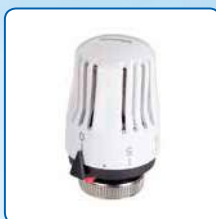
### Thermostatic and Manual Radiator Valves

What makes Emmeti Radiator Valves unique is that they can be connected to non-standard pipe sizes and types by using Emmeti Monoblocco connectors. These include 12mm, 14mm, 16mm, 17mm, 18mm and 20mm.



#### Sensor Thermostatic Radiator Valve Kits for Copper Compression

A range of kits for copper compression including Poker thermostatic radiator valve, Sensor thermostatic head and lockshield kits.



#### Sensor TRV Head

Sensor TRV heads and tamperproof lock for thermostatic head.



#### Poker TRV Bodies

A series of radiator valves that can be connected to non-standard pipes by using Emmeti Monoblocco connectors. Pipe sizes include 12mm, 14mm, 15mm, 16mm, 17mm, 18mm and 20mm. Thermostatic right-angle and straight valves for copper, MultiLayer composite (MLCP), PEX, PB or steel pipes.



#### Poker Manual Radiator Valves

A series of radiator lockshield and wheelhead valves that can be connected to non-standard pipes by using Emmeti Monoblocco connectors. Pipe sizes include 12mm, 14mm, 15mm, 16mm, 17mm, 18mm and 20mm. The range includes manual wheelhead or lockshield regulation valves available in right-angle or straight options for copper, MultiLayer composite (MLCP), PEX, PB or steel pipes. A spanner kit  $\frac{3}{8}$ " -  $\frac{1}{2}$ " -  $\frac{3}{4}$ " - 1" is also available.



#### Full Manual Radiator Valves

A series of manual radiator valves that can be connected to non standard pipe by using Emmeti Monoblocco connectors. Pipe sizes include 12mm, 14mm, 15mm, 16mm, 17mm, 18mm and 20mm pipe. This range includes manual wheelhead or lockshield valves available in right angles for copper pipe, MultiLayer composite (MLCP) PEX, PB or steel pipes.



#### Point to Point Radiator Connection

A kit to allow terminal connection at the radiator in a Type 2, manifold based, point to point radiator system. The tail piece connects into the radiator and the 24x19 elbow allows for a wide range of pipes to be connected via the 24x19 thread and Monoblocco connector to suit. This replace the need for a TRV and lockshield at the radiator.

## Sensor Thermostatic Radiator Valve Kits for Copper Compression

### Sensor Thermostatic radiator valve and lockshield kit for copper pipe



Description	Pcs/Pack	Code	Unit Price £
Right-angle valve 10mm	1	01213118	31.72
Right-angle valve 15mm	1	01213120	31.50
Straight valve 10mm	1	01213122	34.60
Straight valve 15mm	1	01213124	34.43

Kit contents: Sensor thermostatic head, ½" thermostatic valve body, lockshield valve and a pair of Monoblocco connectors for copper.

### Sensor Thermostatic radiator valve kit for copper pipe



Description	Pcs/Pack	Code	Unit Price £
Right-angle 10mm	1	01213110	24.67
Right-angle 15mm	1	01213112	24.58
Straight 10mm	1	01213114	25.65
Straight 15mm	1	01213116	25.52

TRV only, no lockshield.

Kit contents: Sensor thermostatic head, ½" thermostatic valve body and Monoblocco connector for copper pipe.

## Sensor TRV Heads

### Thermostatic head



Description	Pcs/Pack	Code	Unit Price £
M30 x 1.5mm	1	01213040	10.79

Regulates between 7 and 28°C using liquid sensor. Rated to 10 bar, 100°C water, 40°C ambient. Complies with EN215.

### Tamperproof lock for thermostatic heads



Description	Pcs/Pack	Code	Unit Price £
Tamperproof TRV lock	1	90023720	1.38

## Poker TRV Bodies

### Thermostatic right-angle valve for copper, MultiLayer, PEX, PP, PB pipe



Description	Pcs/Pack	Code	Unit Price £
½" M x 24x19	1	01350342	7.88
½" M O-ring x 24x19	1	01350442	8.64

Suitable for pipe between 10mm and 20mm. Male threaded DN24x19 inlet, for Monoblocco connectors, see section 9 Manifold Accessories.

### Thermostatic right-angle valve for steel pipe



Description	Pcs/Pack	Code	Unit Price £
½" M x ½" F	1	01350350	8.47
½" M O-ring x ½" F	1	01350450	9.23



## Price List 2017

### Poker TRV Bodies (continued)

#### Thermostatic straight valve for copper, MultiLayer, PEX, PP, PB pipe



Description	Pcs/Pack	Code	Unit Price £
½" M x 24x19	1	01350346	8.93
½" M O-ring x 24x19	1	01350446	9.56

Suitable for pipe between 10mm and 20mm. Male threaded DN24x19, for Monoblocco connectors, see section 9 Manifold Accessories.

#### Thermostatic straight valve for steel pipe



Description	Pcs/Pack	Code	Unit Price £
½" M x ½" F	1	01350354	9.31
½" M O-ring x ½" F	1	01350454	9.98

### Poker Manual Radiator Valves

#### Manual wheelhead regulation right-angle valve for copper, MultiLayer, PEX, PP, PB pipe



Description	Pcs/Pack	Code	Unit Price £
½" M x 24x19	1	01350304	5.80
½" M O-ring x 24x19	1	01350404	6.59

Suitable for pipe between 10mm and 20mm. Male threaded DN24x19 inlet, for Monoblocco connectors, see section 9 Manifold Accessories.

#### Manual wheelhead regulation straight valve for copper, MultiLayer, PEX, PP, PB pipe



Description	Pcs/Pack	Code	Unit Price £
½" M x 24x19	1	01350312	6.30
½" M O-ring x 24x19	1	01350412	6.96

Suitable for pipe between 10mm and 20mm. Male threaded DN24x19 inlet, for Monoblocco connectors, see section 9 Manifold Accessories.

#### Manual lockshield regulation straight valve for copper, MultiLayer, PEX, PP, PB pipe



Description	Pcs/Pack	Code	Unit Price £
½" M x 24x19	1	01350314	4.88
½" M O-ring x 24x19	1	01350852	6.69

Suitable for pipe between 10mm and 20mm. Male threaded DN24x19 inlet, for Monoblocco connectors, see section 9 Manifold Accessories.

#### Manual wheelhead regulation right-angle valve for steel pipe



Description	Pcs/Pack	Code	Unit Price £
½" M x ½" F	1	01350320	6.30
½" M O-ring x ½" F	1	01350420	7.09

#### Manual lockshield regulation right-angle valve for steel pipe



Description	Pcs/Pack	Code	Unit Price £
½" M x ½" F	1	01350322	5.96
½" M O-ring x ½" F	1	01350422	6.76



**Poker Manual Radiator Valves (continued)**

**Manual wheelhead regulation straight valve for steel pipe**



Description	Pcs/Pack	Code	Unit Price £
½" M x ½" F	1	01350328	6.67
½" M O-ring x ½" F	1	01350428	7.34

**Manual lockshield regulation straight valve for steel pipe**



Description	Pcs/Pack	Code	Unit Price £
½" M x ½" F	1	01350872	6.73
½" M O-ring x ½" F	1	01350876	7.49

**Spanner kit ⅜" - ½" - ¾" - 1"**



Description	Pcs/Pack	Code	Unit Price £
Universal Rad Spanner	1	01306056	198.70

The ½" connector found in the kit is used to tighten radiator tails.

**Full Manual Radiator Valves**

This range has an 11mm bore (compared to approximately 8mm in the standard range). This allows for greater flow.

**Manual wheelhead regulation right angle valve for PEX, MLCP, PB, PP**



Description	Pcs/Pack	Code	Unit Price £
½" M x 24x19	25	01350700	5.43
½" M O-ring x 24x19	25	01350704	6.19

Suitable for pipe between 10mm and 20mm. Male threaded DN24 x 19 inlet.  
For Monoblocco Connectors see section 9 Manifold Accessories.

**Manual lockshield regulation right angle valve for PEX, MLCP, PB, PP**



Description	Pcs/Pack	Code	Unit Price £
½" M x 24x19	25	01350702	4.76
½" M O-ring x 24x19	25	01350706	5.51

Suitable for pipe between 10mm and 20mm. Male threaded DN24 x 19 inlet.  
For Monoblocco Connectors see section 9 Manifold Accessories.

**Manual wheelhead regulation right angle valve for steel pipe**



Description	Pcs/Pack	Code	Unit Price £
½" M x ½" F	1	01350720	5.55
½" M O-ring x ½" F	1	01350724	6.31

**Manual lockshield regulation right angle valve for steel pipe**



Description	Pcs/Pack	Code	Unit Price £
½" M x ½" F	1	01350722	4.84
½" M O-ring x ½" F	1	01350726	5.60

## Price List 2017

### Full Manual Radiator Valves (continued)

#### Manual wheelhead & lockshield regulation straight valve for steel pipe



Description	Pcs/Pack	Code	Unit Price £
Wheelhead ¾" M x ¾" F	1	01266128	22.89

#### Manual wheelhead & lockshield regulation right- angle valve for steel pipe



Description	Pcs/Pack	Code	Unit Price £
Wheelhead 1" M x 1" F	1	01266112	101.70
Lockshield 1" M x 1" F	1	01266114	127.00

#### Manual wheelhead & lockshield regulation straight valve for steel pipe



Description	Pcs/Pack	Code	Unit Price £
Wheelhead 1" M x 1" F	1	01266116	101.70
Lockshield 1" M x 1" F	1	01266118	127.00

#### Point to Point Radiator Connection



Description	Pcs/Pack	Code	Pair Price £
½" x 24x19 Radiator Tail	1	01306081	2.65
24x19 x 24x19 Elbow	1	28103180	2.78

A kit to allow terminal connection at the radiator in a Type 2, manifold based, point to point radiator system. The tail piece connects into the radiator and the elbow piece allows for a wide range of pipes to be connected via the 24x19 thread and Monoblocco connector to suit.

Items sold separately.

## Type 2 Wall Hung Radiator & UFH Manifolds



### Type 2 Topway LS Pre-Assembled Heating Manifold

A range of nickel plated, extruded brass manifolds pre-assembled for easy installation of both Wall Hung Radiator and Underfloor systems. Available in 1" and 1¼" sizes, from 2-12 ways with integral electrothermic flow control valves and integral double regulating lockshields that combine circuit isolation and flow regulation. Can be surface mounted, concealed in a cabinet or within a partition wall. Manifold flow and return outlets are offset.

Also available are ball valves, Monoblocco pipe connectors, electrothermic actuators and matching zone controls to meet or exceed Building Regulations Part L requirements.



### Type 2 Topway FM Pre-Assembled Heating Manifold

A range of nickel plated, extruded brass manifold pre-assembled for easy installation of both Wall Hung Radiator and Underfloor systems. Available in 1" and 1¼" sizes, from 2-12 ways with integral electrothermic flow control valves and double regulating flowmeters that combine circuit isolation and flow regulation with visual flow indication. Can be surface mounted, concealed in a cabinet or within a partition wall. Manifold flow and return outlets are offset.

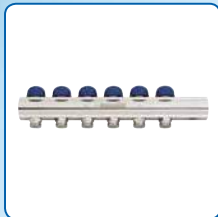
Also available are ball valves, Monoblocco pipe connectors, electrothermic actuators and matching zone controls to meet or exceed Building Regulations Part L requirements.



### Type 2 Topway SLM Pre-Assembled Single Loop Manifold

Designed to be used with our Type 3 control group range. Nickel plated, extruded brass manifold, pre-assembled for use with single zone Underfloor applications such as conservatories and extensions. Available in 1", complete with automatic air vents, drain and fill valves and end caps. Provided with a single, double regulating flow meter that combines circuit isolation and flow regulation with visual flow indication. Can be surface mounted, concealed in a cabinet or within a partition wall. Manifold flow and return outlets are offset.

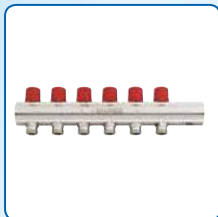
Also available are ball valves, Monoblocco pipe connectors, electrothermic actuators and matching zone controls to meet or exceed Building Regulations Part L requirements.



### Type 2 Topway ETB Single Bar

A range of return manifolds. Nickel plated, extruded brass manifold with integral flow control via electrothermically actuated valves for both Wall Hung Radiator and Underfloor systems. Available in 1" and 1¼" sizes, from 2 ways to 12 ways. Single bars can be mounted separately or close coupled and can be concealed in a choice of purpose designed plastic or metal cabinets maximising installation flexibility.

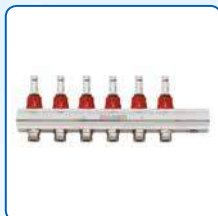
Also available are ball valves, Monoblocco pipe connectors, electrothermic actuators and matching zone controls to meet or exceed Building Regulations Part L requirements.



### Type 2 Topway LS Single Bar

A range of flow manifolds. Nickel plated, extruded brass manifold with double regulating lockshield that combine circuit isolation and flow regulation for both Wall Hung Radiator and Underfloor systems. Available in 1" and 1¼" sizes, from 2 ways to 12 ways. Single bars can be mounted separately or close coupled and can be concealed in a choice of purpose designed plastic or metal cabinets maximising installation flexibility.

Also available are ball valves, mounting brackets, fittings and Monoblocco pipe connectors for a wide range of pipe types and sizes.



### Type 2 Topway FM Single Bar

A range of flow manifolds. Nickel plated, extruded brass manifold with double regulating flow meters that combine circuit isolation and flow regulation with visual flow indication for both Wall Hung Radiator and Underfloor systems. Available in 1" and 1¼" sizes, from 2 ways to 12 ways. Single bars can be mounted separately or close coupled and can be concealed in a choice of purpose designed plastic or metal cabinets maximising installation flexibility.

Also available are ball valves, mounting brackets, fittings and Monoblocco pipe connectors for a wide range of pipe types and sizes.



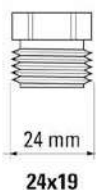
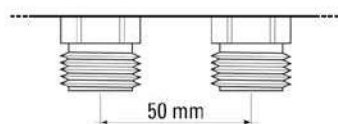
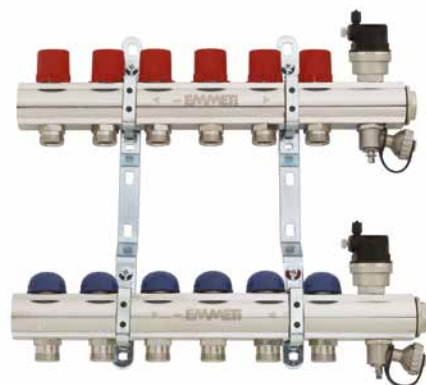
### Point to Point Radiator Connection

A kit to allow terminal connection at the radiator in a Type 2, manifold based, point to point radiator system. The tail piece connects into the radiator and the 24x19 elbow allows for a wide range of pipes to be connected via the 24x19 thread and Monoblocco connector to suit. Replaces the need for lockshield and TRV at the radiator.

## Price List 2017

## Type 2 Topway LS Pre-Assembled Heating Manifold

## 1" Pre-Assembled Manifold with Individual Lockshield Commissioning Valves



Description	Ways	Pcs/Pack	Code	Unit Price £
<b>Flow rail at the top</b>				
1"	2	1	01299730	130.80
1"	3	1	01299732	151.80
1"	4	1	01299734	173.70
1"	5	1	01299736	195.80
1"	6	1	01299738	217.30
1"	7	1	01299740	239.40
1"	8	1	01299742	261.20
1"	9	1	01299744	291.50
1"	10	1	01299746	314.90
1"	11	1	01299748	336.00
1"	12	1	01299750	356.60
<b>Flow rail at the bottom</b>				
1"	2	1	01299020	130.80
1"	3	1	01299022	151.80
1"	4	1	01299024	173.70
1"	5	1	01299026	195.80
1"	6	1	01299028	217.20
1"	7	1	01299030	239.40
1"	8	1	01299032	261.20
1"	9	1	01299034	291.50
1"	10	1	01299036	314.80
1"	11	1	01299038	336.00
1"	12	1	01299040	356.60
<b>Flow rail at the bottom</b>				
1¼"	4	1	01299054	194.50
1¼"	5	1	01299056	219.70
1¼"	6	1	01299058	244.40
1¼"	7	1	01299060	269.70
1¼"	8	1	01299062	294.30
1¼"	9	1	01299064	326.10
1¼"	10	1	01299066	352.50
1¼"	11	1	01299068	376.30
1¼"	12	1	01299070	400.20

Flow rail has a red capped double regulating lockshield per circuit that allows individual circuit flow regulation and isolation. Return rail has a blue capped integrated electrothermic body to accommodate an electrothermic actuator per circuit.

Pre-assembled manifold includes 2 x drain off/fill valves, 2 x automatic air vents and 2 x blanking plugs. Pre-mounted onto a double offset bracket at 210mm centres.

Outlet connections are 24x19 thread for use with Emmeti monoblocco connectors, see section 9, Manifold Accessories.

For MLCP (MultiLayer Composite Pipe) and press fittings to accompany this range please see section 1 Gerpex.

For wiring centres and wall thermostats, please refer to section 12 Zone Controls.

## Point to Point Radiator Connection



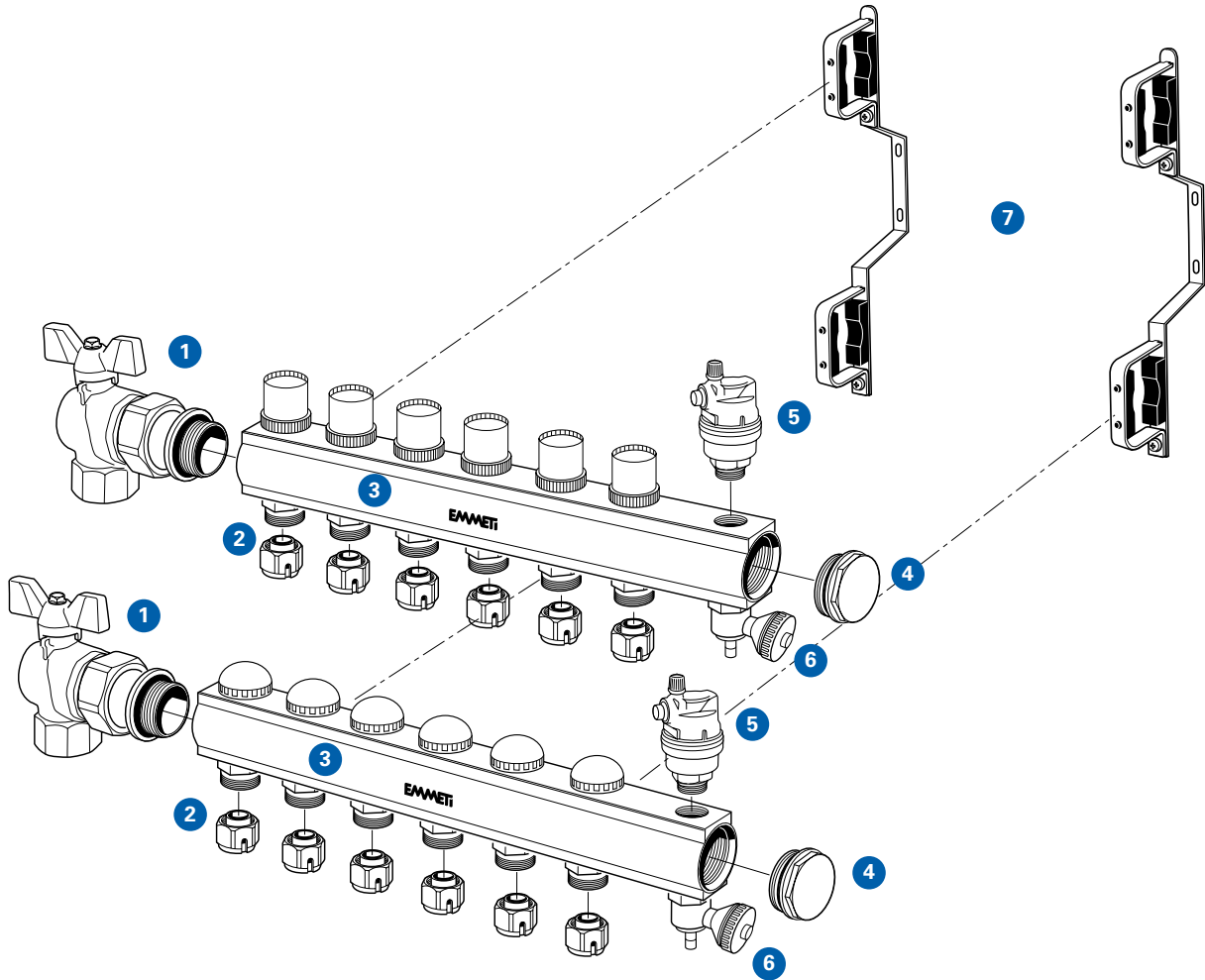
Items sold separately.

Description	Pcs/Pack	Code	Pair Price £
½" x 24x19 Radiator Tail	1	01306081	2.65
24x19 x 24x19 Elbow	1	28103180	2.78

A kit to allow terminal connection at the radiator in a Type 2, manifold based, point to point radiator system. The tail piece connects into the radiator and the elbow piece allows for a wide range of pipes to be connected via the 24x19 thread and Monoblocco connector to suit.

**Type 2 Topway LS Pre-Assembled Heating Manifold** (continued)

**1" Pre-assembled Manifold with Individual Lockshield Commissioning Valves**



**1 Ball Valves**

A range of 1" and 1 1/4" Ball Valves are available. For the complete range please refer to section 16 'Ball Valves' or visit our website [www.emmeti.co.uk](http://www.emmeti.co.uk)

**2 Monoblocco Connectors**

A range of Monoblocco connectors are available to suit pipe sizes 10mm - 20mm, and different pipe types PB, PE-X, PE-RT, MLCP and Copper. For the complete range please refer to section 9 'Manifold Accessories' or visit our website [www.emmeti.co.uk](http://www.emmeti.co.uk)

**3 Manifold**

Flow Rail at the top  
Code: 01299730 (2way) to  
01299750 (12way) 1"

Flow Rail at the bottom  
Code: 01299020 (2way) to  
01299040 (12way) 1"

Code 01299054 (2way) to  
01299070 (12way) 1 1/4"

**4 Blanking Plug**

Code 90004830 1" M with O-ring seal  
Code 90005070 1 1/4" M with O-ring seal

**5 Automatic Air Vent**

Code 00400004  
Tecno-Varia auto air vent 1/2" -

Optional:  
Code 1/2" - 00410021  
Bleed Valve and Manual air vent

**6 Drain Fill Valve**

Code 90011790 1/2" with 3/4" hose connection

**7 Metal Brackets (210mm centres)**

Code 90011570 1"  
Code 90011580 1 1/4"  
supplied in pairs

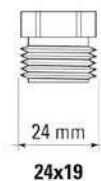
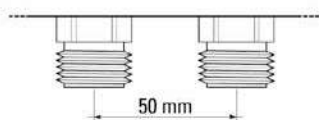
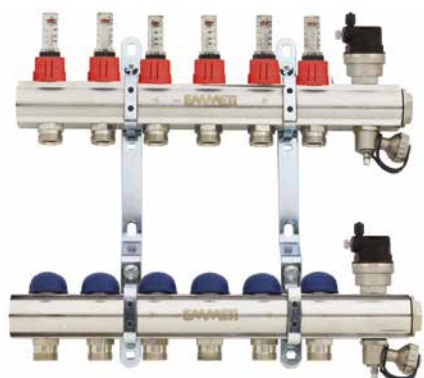
Optional: (200mm Centres)  
Code: 90011540 1"  
Code: 90011550 1 1/4"



## Price List 2017

## Type 2 Topway FM Pre-Assembled Heating Manifold

## 1" Pre-assembled Manifold with Individual Flowmeter Commissioning Valves



Description	Ways	Pcs/Pack	Code	Unit Price £
<b>Flow rail at the top</b>				
1"	2	1	01295060	132.80
1"	3	1	01295062	155.50
1"	4	1	01295064	179.30
1"	5	1	01295066	203.20
1"	6	1	01295068	226.50
1"	7	1	01295070	250.50
1"	8	1	01295072	274.10
1"	9	1	01295074	306.20
1"	10	1	01295076	331.40
1"	11	1	01295078	354.40
1"	12	1	01295080	376.80
<b>Flow rail at the bottom</b>				
1"	2	1	01299260	132.60
1"	3	1	01299262	155.50
1"	4	1	01299264	179.30
1"	5	1	01299266	203.20
1"	6	1	01299268	226.50
1"	7	1	01299270	250.50
1"	8	1	01299272	274.10
1"	9	1	01299274	306.20
1"	10	1	01299276	331.40
1"	11	1	01299278	354.40
1"	12	1	01299280	376.80
<b>Flow rail at the bottom</b>				
1 1/4"	4	1	01299294	200.30
1 1/4"	5	1	01299296	227.00
1 1/4"	6	1	01299298	253.60
1 1/4"	7	1	01299300	280.80
1 1/4"	8	1	01299302	307.20
1 1/4"	9	1	01299304	340.80
1 1/4"	10	1	01299306	369.00
1 1/4"	11	1	01299308	394.70
1 1/4"	12	1	01299310	420.40

Flow rail has a double regulating red sleeved 0 - 4 l/min flow meter per circuit that allows individual circuit flow regulation and isolation with visual flow indication. Return rail has a blue capped integrated electrothermic body to accommodate an electrothermic actuator per circuit.

Pre-assembled manifold includes 2 x drain off/fill valves, 2 x automatic air vents and 2 x blanking plugs. Pre-mounted onto a double offset bracket at 210mm centres. To change the flow meter range, please refer to section 9 Manifold Accessories.

Outlet connections are 24x19 thread for use with Emmeti monoblocco connectors, see section 9, Manifold Accessories.

For MLCP (MultiLayer Composite Pipe) and press fittings to accompany this range please see section 1 Gerpex.

For wiring centres and wall thermostats, please refer to section 12 Zone Controls.

## Point to Point Radiator Connection



Items sold separately.

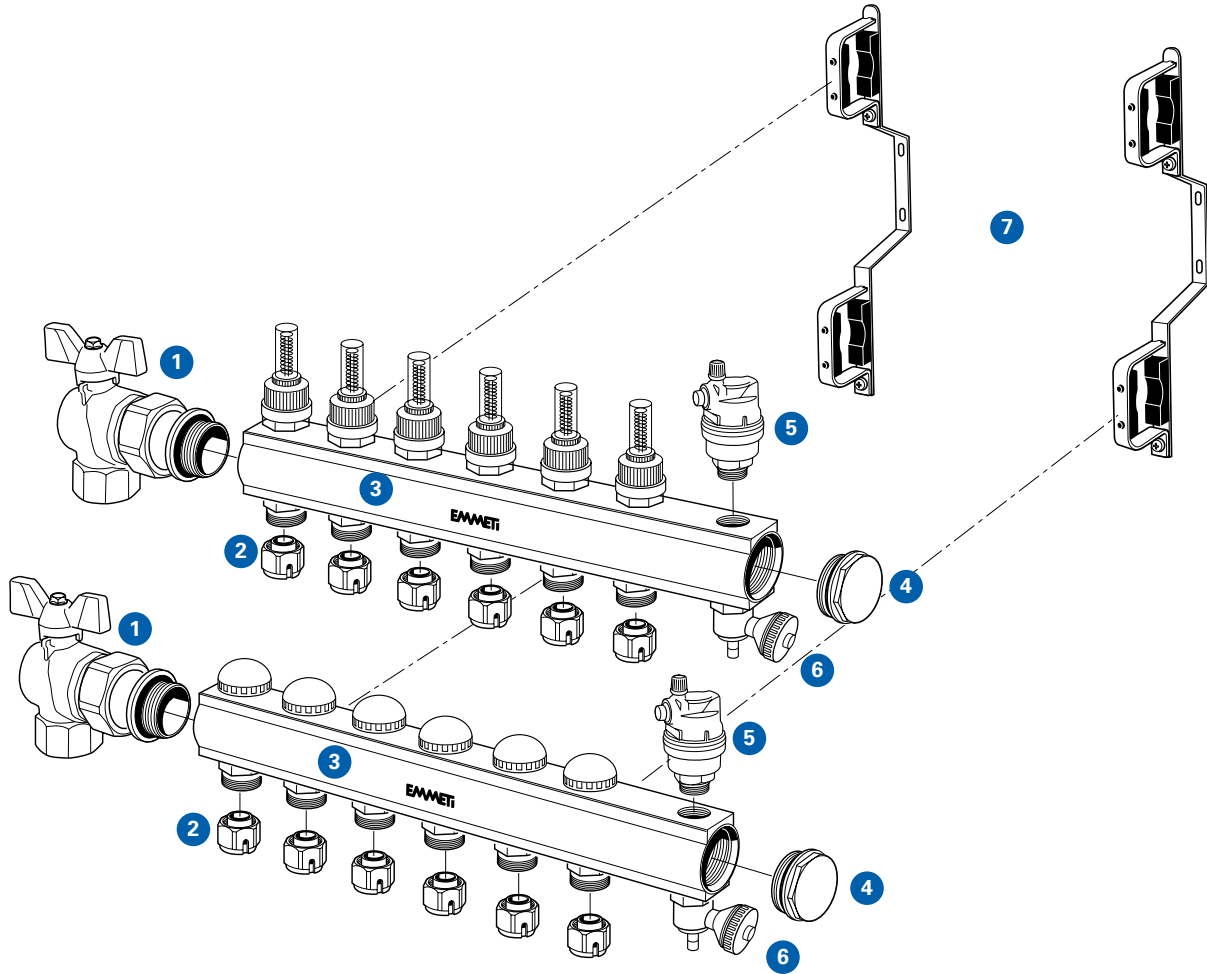
Description	Pcs/Pack	Code	Pair Price £
1/2" x 24x19 Radiator Tail	1	01306081	2.65
24x19 x 24x19 Elbow	1	28103180	2.78

A kit to allow terminal connection at the radiator in a Type 2, manifold based, point to point radiator system. The tail piece connects into the radiator and the elbow piece allows for a wide range of pipes to be connected via the 24x19 thread and Monoblocco connector to suit.



**Type 2 Topway FM Pre-Assembled Heating Manifold** (continued)

**1" Pre-assembled Manifold with Individual Lockshield Commissioning Valves**



**1 Ball Valves**

A range of 1" and 1 1/4" Ball Valves are available. For the complete range please refer to section 16 'Ball Valves' or visit our website [www.emmeti.co.uk](http://www.emmeti.co.uk)

**2 Monoblocco Connectors**

A range of Monoblocco connectors are available to suit pipe sizes 10mm - 20mm, and different pipe types PB, PE-X, PE-RT, MLCP and Copper. For the complete range please refer to section 9 'Manifold Accessories' or visit our website [www.emmeti.co.uk](http://www.emmeti.co.uk)

**3 Manifold**

Code: Flow Rail at the top  
01295060 (2way) to 01295080  
(12way) 1"

Code: Flow Rail at the bottom  
01299260 (2way) to 01299280  
(12way) 1"

Code 01299294 (2way) to  
01299310 (12way) 1 1/4"

**4 Blanking Plug**

Code 90004830 1" M with O-ring seal  
Code 90005070 1 1/4" M with O-ring seal

**5 Automatic Air Vent**

Code 00400004  
Tecno-Varia auto air vent 1/2"

**6 Drain Fill Valve**

Code 90011790  
1/2" with 3/4" hose connection

**7 Double Metal Brackets**

(Sold in pairs)  
Code 90011550 - 1" 200mm  
Code 90011550 - 1 1/4" 200mm  
Code 90011570 - 1" 210mm  
Code 90011580 - 1 1/4" 210mm

## Price List 2017

## Type 2 Topway Single Loop Manifold

## 1" Pre-assembled Single Loop Manifold with Flowmeter Commissioning Valves



Description	Ways	Pcs/Pack	Code	Unit Price £
1"	1	1	01296712	101.90

The SLM (Single Loop Manifold) is designed to be used with one of our control groups to provide a simple solution to small UFH systems such as an extension or conservatory. Please see section 8.

The flow rail includes a red sleeved 0-4 l/min flow meter that allows individual circuit flow regulation and isolation with visual flow indication, with an electrothermic body fitted to the return bar.

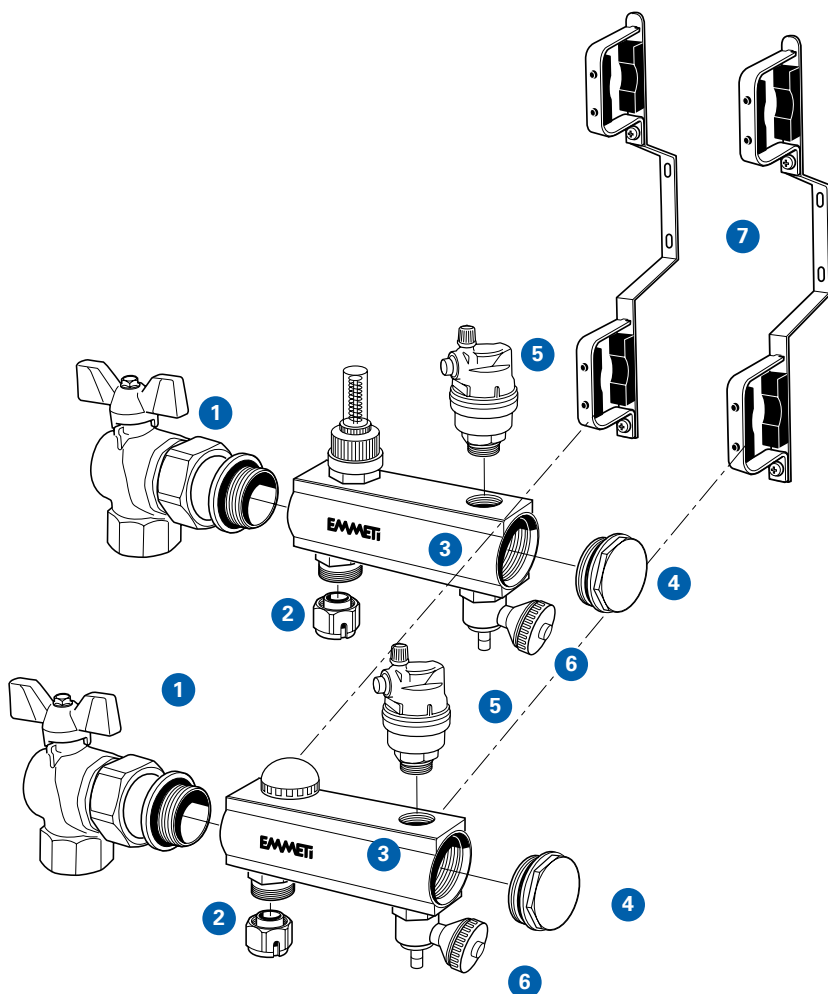
The pre-assembled manifold is mounted onto a double offset bracket. The accessories include 2 x drain-off/fill valves, 2 x automatic air-vents and 2 x blanking plugs supplied loose in the packaging.

Outlet connections are 24x19 thread for use with Emmeti monoblocco connectors, see section 9, Manifold Accessories.

For MLCP (MultiLayer Composite Pipe) and press fittings to accompany this range please see section 1 Gerpex.

For zone controls please refer to section 12.

## 1" Pre-assembled Single Loop Manifold with Flowmeter Commissioning Valves

**Ball Valves**

- 1 A range of 1" Ball Valves are available. For the complete range please refer to section 16 'Ball Valves' or visit our website [www.emmeti.co.uk](http://www.emmeti.co.uk)

**Monoblocco Connectors**

- 2 A range of Monoblocco connectors are available to suit pipe sizes 10mm - 20mm, and different pipe types PB, PE-X, PE-RT, MLCP and Copper. For the complete range please refer to section 9 'Manifold Accessories' or visit our website [www.emmeti.co.uk](http://www.emmeti.co.uk)

**Manifold**

- 3 Code 01296712 (1way) 1"

**Blanking Plug**

- 4 Code 90004830  
1" M with O-ring seal

**Automatic Air Vent**

- 5 Tecno-Varia auto air vent 1/2" - Code 00400004

**Drain Fill Valve**

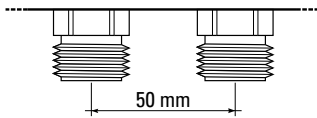
- 6 Code 90011790 1/2" with 3/4" hose connection

**Metal Brackets**

- 7 **(210mm centres)**  
Code 90011570 1" supplied in pairs  
Optional: (200mm centres)  
Code: 90011540 1"

**Type 2 Topway ETB Single Bar**

**1 - 1 1/4" Return Manifold Bar with Electrothermic Valves**

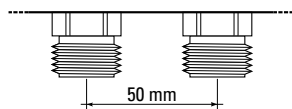


Description	Ways	Pcs/Pack	Code	Unit Price £
1"	2	1	01293890	39.89
1"	3	1	01293892	50.26
1"	4	1	01293894	61.74
1"	5	1	01293896	72.33
1"	6	1	01293898	82.58
1"	7	1	01293900	94.19
1"	8	1	01293902	104.60
1"	9	1	01293904	119.70
1"	10	1	01293906	131.60
1"	11	1	01293908	142.10
1"	12	1	01293910	152.50
1 1/4"	4	1	01294694	70.76
1 1/4"	5	1	01294696	82.71
1 1/4"	6	1	01294698	94.49
1 1/4"	7	1	01294700	107.60
1 1/4"	8	1	01294702	119.40
1 1/4"	9	1	01294704	135.10
1 1/4"	10	1	01294706	148.50
1 1/4"	11	1	01294708	160.20
1 1/4"	12	1	01294710	172.20

Return rail has a blue capped integrated electrothermic body to accommodate an electrothermic actuator per circuit. This rail comes complete with an integrated 1/2" FBSP hole on the upper and lower side, ready for drain/fill valves or air vents.

**Type 2 Topway LS Single Bar**

**1" - 1 1/4" Flow Manifold Bar with Lockshield Commissioning Valves**



Description	Ways	Pcs/Pack	Code	Unit Price £
1"	2	1	01298620	42.02
1"	3	1	01298622	52.43
1"	4	1	01298624	64.08
1"	5	1	01298626	74.76
1"	6	1	01298628	85.09
1"	7	1	01298630	96.70
1"	8	1	01298632	107.20
1"	9	1	01298634	122.30
1"	10	1	01298636	134.40
1"	11	1	01298638	144.90
1"	12	1	01298640	155.40
1 1/4"	4	1	01298864	73.35
1 1/4"	5	1	01298866	85.30
1 1/4"	6	1	01298868	97.67
1 1/4"	7	1	01298870	111.00
1 1/4"	8	1	01298872	122.90
1 1/4"	9	1	01298874	138.80
1 1/4"	10	1	01298876	152.40
1 1/4"	11	1	01298878	164.40
1 1/4"	12	1	01298880	176.60

Flow rail has a red capped double regulating lockshield per circuit that allows individual circuit flow regulation and isolation. This rail comes complete with an integrated 1/2" FBSP hole on the upper and lower side, ready for drain/fill valves or air vents.

Outlet connections are 24x19 thread for use with Emmeti monoblocco connectors, see section 9, Manifold Accessories.

For MLCP (MultiLayer Composite Pipe) and press fittings to accompany this range please see section 1 Gerpex.

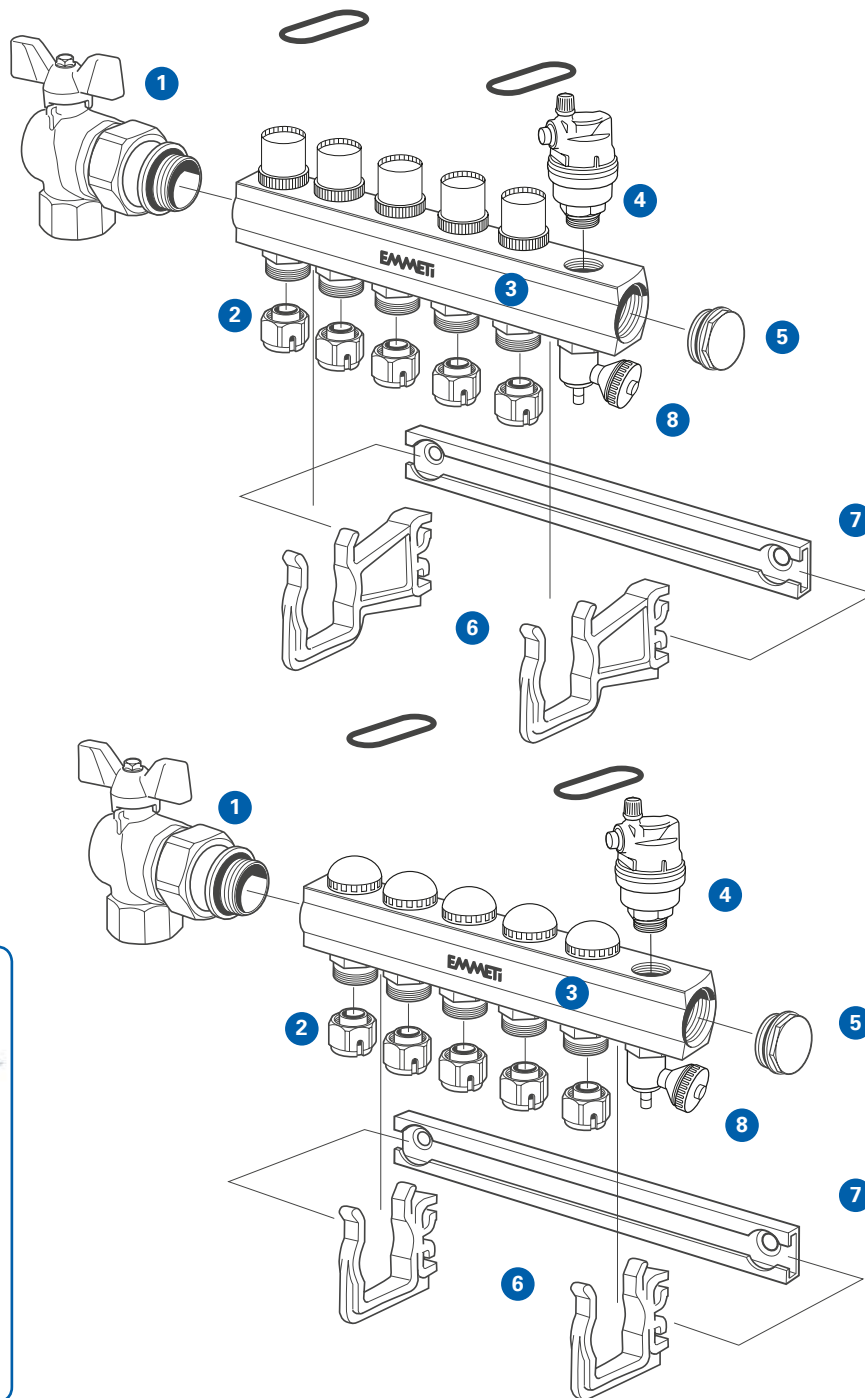
For plastic or metal mounting brackets, blanking plugs, manual or automatic air vents, drain/fill valves and ball valves as shown in the schematic overleaf please refer to section 9 Manifold Accessories and section 16 Ball Valves.

For zone controls please refer to section 12, Zone Controls.

## Price List 2017

## Type 2 Topway LS Single Bar and Type 2 Topway ETB Single Bar

1" - 1 1/4" Flow and Return Manifold Bars with Accessories and Mounting Option



## Additional Bracket Options

## Single Metal Brackets

(Sold in pairs)

Code 90011510 - 1"

Code 90011520 - 1 1/4"

## Double Metal Brackets

(Sold in pairs)

Code 90011570 - 1" 210mm

Code 90011580 - 1 1/4" 210mm

Code 90011540 1" 200mm

Code 90011550 1 1/4" 200mm



## 1 Ball Valves (Optional)

A range of 1" and 1 1/4" Ball Valves are available. For the complete range please refer to section 16 'Ball Valves' or visit our website [www.emmeti.co.uk](http://www.emmeti.co.uk)

## 2 Monoblocco Connectors

A range of Monoblocco connectors are available to suit pipe sizes 10mm - 20mm, and different pipe types PB, PE-X, PE-RT, MLCP and Copper. For the complete range please refer to section 9 'Manifold Accessories' or visit our website [www.emmeti.co.uk](http://www.emmeti.co.uk)

## 3 Manifold

1" Type 2 Topway LS Single Bar  
Code 01298620 2-way to 01298640  
12-way

1 1/4" Type 2 Topway LS Single Bar  
Code 01298864 4-way to 01298880  
12-way

1" Type 2 Topway ETB Single Bar  
Code 01293890 2-way to 01293910  
12-way

1 1/4" Type 2 Topway ETB Single Bar  
Code 01294694 4-way to 01294710  
12-way

## 4 Automatic Air Vent

Code 00400004 Tecno-Varia auto  
air vent 1/2"

**Manual Air Vent**  
Code 00410021 1/2"

**Blanking Plug**  
Code 90004930 1/2" M with  
O-ring seal

## 5 Blanking Plug

Code 90004830  
1" M with O-ring seal  
Code 90005070  
1 1/4" M with O-ring seal

## 6 Plastic Bracket Supports

Code 01302130 1"  
Sold in boxes of 10 pairs.

## 7 Aluminum Slider Rail

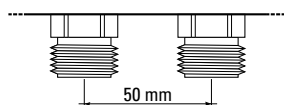
Order two per manifold or one  
400mm slider rail as this can  
be snapped into two 200mm  
lengths by hand.  
Code 01306400 400mm or  
Code 01306398 200mm.

## 8 Drain Fill Valve

Code 90011790 1/2" with 3/4"  
hose connection

**Type 2 Topway FM Single Bar**

**1 - 1 1/4" Flow Manifold with Flowmeter Commissioning Valves**



Description	Ways	Pcs/Pack	Code	Unit Price £
1"	2	1	01298120	43.89
1"	3	1	01298122	56.22
1"	4	1	01298124	69.57
1"	5	1	01298126	82.07
1"	6	1	01298128	94.27
1"	7	1	01298130	107.80
1"	8	1	01298132	120.10
1"	9	1	01298134	137.10
1"	10	1	01298136	150.90
1"	11	1	01298138	163.30
1"	12	1	01298140	175.60
1 1/4"	4	1	01298364	79.05
1 1/4"	5	1	01298366	93.00
1 1/4"	6	1	01298368	106.90
1 1/4"	7	1	01298370	122.00
1 1/4"	8	1	01298372	135.80
1 1/4"	9	1	01298374	153.50
1 1/4"	10	1	01298376	169.00
1 1/4"	11	1	01298378	182.80
1 1/4"	12	1	01298380	196.70

Flow rail has a red sleeved 0-4 l/min double regulating flow meter per circuit. that allows individual circuit flow regulation and isolation with visual flow indication.

This rail comes complete with an integrated 1/2" FBSP hole on the upper and lower side, ready for drain/fill valves or air vents.

Outlet connections are 24x19 thread for use with Emmeti monoblocco connectors, see section 9, Manifold Accessories.

For MLCP (MultiLayer Composite Pipe) and press fittings to accompany this range please see section 1 Gerpex.

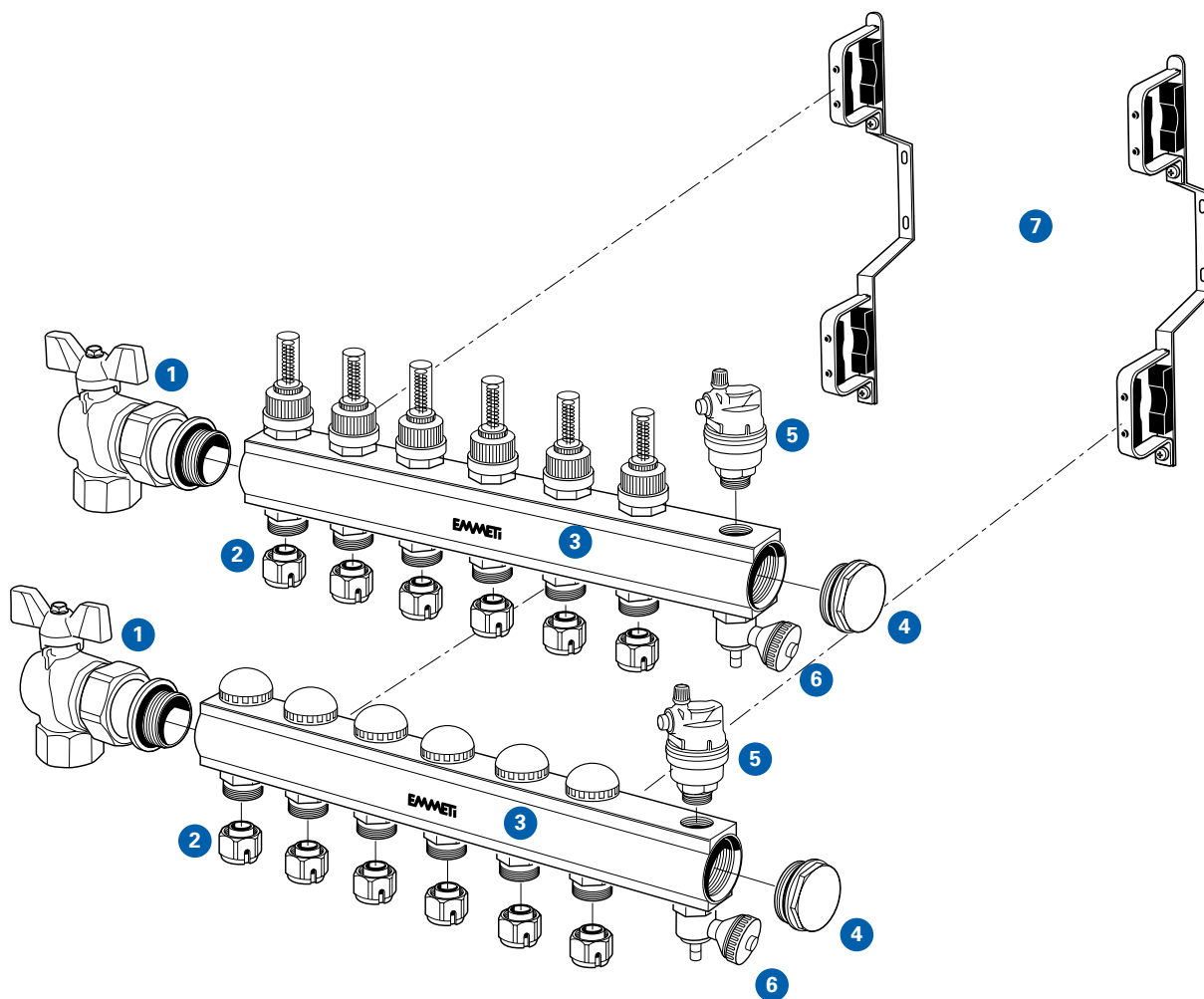
For plastic or metal mounting brackets, blanking plugs, manual or automatic air vents, drain fill valves and ball valves as shown in the schematic overleaf please refer to the following sections; section 9 Manifold Accessories and section 16 Ball Valves.

To change the flow meter range, please refer to section 9 Manifold Accessories.

## Price List 2017

## Type 2 Topway FM Single Bar (continued)

## 1" - 1 1/4" Flow and Return Manifold Bars with Accessories and Mounting Option



**1 Ball Valves**  
A range of 1" and 1 1/4" Ball Valves are available. For the complete range please refer to section 16 'Ball Valves' or visit our website [www.emmeti.co.uk](http://www.emmeti.co.uk)

**2 Monoblocco Connectors**  
A range of Monoblocco connectors are available to suit pipe sizes 10mm - 20mm, and different pipe types PB, PE-X, PE-RT, MLCP and Copper. For the complete range please refer to section 9 'Manifold Accessories' or visit our website [www.emmeti.co.uk](http://www.emmeti.co.uk)

**3 Manifold**  
Flow Manifold  
1" Type 2 Topway FM Single Bar  
Code 01298120 2-way to 01298140 12-way  
1 1/4" Type 2 Topway FM Single Bar  
Code 01298364 4-way to 01298380 12-way  
Return Manifold  
1" Type 2 Topway ETB Single Bar  
Code 01293890 2-way to 01293910 12-way  
1 1/4" Type 2 Topway ETB Single Bar  
Code 01294694 4-way to 01294710 12-way

**4 Blanking Plug**  
Code 90004830  
1" M with O-ring seal  
Code 90005070  
1 1/4" M with O-ring seal

**5 Automatic Air Vent**  
Code 00400004  
Tecno-Varia auto air vent 1/2"  
**Manual Air Vent**  
Code 00410021 1/2"

**Blanking Plug**  
Code 90004930  
1/2" M with O-ring seal

**6 Drain Fill Valve**  
Code 90011790 1/2" with 3/4" hose connection

**7 Metal Brackets**  
(sold in pairs)  
Code 90011570  
1" 210mm  
Code 90011580  
1 1/4" 210mm  
Optional:  
Code: 90011540  
1" 200mm  
Code: 90011550  
1 1/4" 200mm

**Additional Bracket Options****Aluminum Slider Rail**

Order two per manifold or one 400mm slider rail as this can be snapped into two 200mm lengths by hand.  
Code 01306400 400mm or  
Code 01306398 200mm.

**Plastic Brackets**

(sold in pairs)  
Code 01302130 1" Brackets  
Plastic Bracket Supports Sold in boxes of 10 pairs.

**Single Metal Brackets**

(Sold in pairs)  
Code 90011510 - 1"  
Code 90011520 - 1 1/4"





## Type 3 UFH Heating Manifolds



### FMU2 Floor Mixing Unit

Supplied as a pre-assembled mixing valve and manifold assembly between 2 and 12 ways, incorporating the TM3 Control Group that uses an integrated thermostatic mixing valve with a remote sensing actuator to give a temperature range of between 20°C and 70°C. The FMU2 includes a Lowara Ecocirc Class A pump, ErP 2015 compliant with variable and fixed speed control with antiblock technology.



### FCU-HE Floor Control Unit

Incorporating the advanced technology of the M3V-HE Control Group the FCU-HE allows for a centralised control of Underfloor Heating (UFH) and Wall Hung Radiators (WHR) when used in a hybrid system. The FCU-HE can also distribute to UFH or WHR systems as a stand alone unit.



### Firstbox and Firstbox Modular Distribution Groups

A range of distribution groups for high (WHR) or low (UFH) temperature systems, with circulation pumps and mixing valve assemblies. Options include: varying high/low combinations, 700 / 850 / 1000 cabinets, weather compensation, thermostatic regulation, open manifold, in-wall metal cabinets, motorised mixer valves.



### Underfloor Heating Manifold Accessories

A range of accessories to suit FMU2, FCU-HE and Firstbox distribution groups including ball valves, electronic/thermostatic actuators, weather compensating kits and low loss headers.

## Price List 2017

### FMU2 Floor Mixing Unit

#### FMU2 Floor Mixing Unit with low temperature manifold including flowmeters



Description	Pcs/Pack	Code	Unit Price £
1" 2-way	1	U1820002	492.80
1" 3-way	1	U1820003	516.30
1" 4-way	1	U1820004	537.20
1" 5-way	1	U1820005	560.20
1" 6-way	1	U1820006	584.00
1" 7-way	1	U1820007	610.20
1" 8-way	1	U1820008	632.30
1" 9-way	1	U1820009	657.90
1" 10-way	1	U1820010	689.40
1" 11-way	1	U1820011	714.90
1" 12-way	1	U1820012	736.70

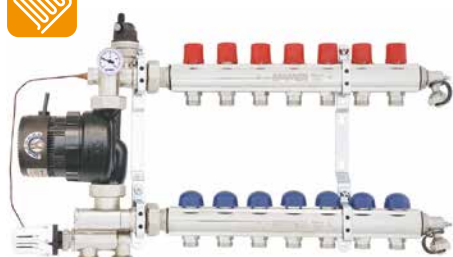
Designed for Underfloor Heating, supplied as a pre-assembled mixing valve and manifold assembly between 2 and 12 ways. The control group incorporates a Lowara Ecocirc Class A pump, non-return valve, automatic air vents and a thermostatic mixing valve with remote actuation giving accurate mixed temperatures between 20-70°C. 1" M connections for primary flow and return.

The flow rail has a double regulating red sleeved 0 - 4 l/min flow meter per circuit that allows individual circuit flow regulation and isolation with visual flow indication. Return rail has a blue capped integrated electrothermic body to accommodate an electrothermic actuator per circuit.

The Lowara Ecocirc Class A pump is ErP 2015 compliant, variable and fixed speed with antiblock technology.

Valves Kvs 3 - 4.8, 10kw - 18kw.

#### FMU2 Floor Mixing Unit with low temperature manifold including lockshields



Description	Pcs/Pack	Code	Unit Price £
1" 2-way	1	U1810002	489.20
1" 3-way	1	U1810003	510.90
1" 4-way	1	U1810004	530.00
1" 5-way	1	U1810005	551.20
1" 6-way	1	U1810006	573.10
1" 7-way	1	U1810007	597.60
1" 8-way	1	U1810008	617.80
1" 9-way	1	U1810009	641.70
1" 10-way	1	U1810010	671.40
1" 11-way	1	U1810011	695.10
1" 12-way	1	U1810012	715.00

Designed for Underfloor Heating, supplied as a pre-assembled mixing valve and manifold assembly between 2 and 12 ways. The control group incorporates a Lowara Ecocirc Class A pump, non-return valve, automatic air vents and a thermostatic mixing valve with remote actuation giving accurate mixed temperatures between 20-70°C. 1" M connections for primary flow and return.

The flow rail has a double regulating red lockshield per circuit that allows individual circuit flow regulation and isolation. Return rail has a blue capped integrated electrothermic body to accommodate an electrothermic actuator per circuit.

The Lowara Ecocirc Class A pump is ErP 2015 compliant, variable and fixed speed with antiblock technology.

Valves Kvs 3 - 4.8, 10kw - 18kw.

**FCU-HE Floor Control Unit**

**FCU-HE Floor Control Unit, with 1" high temperature manifold**



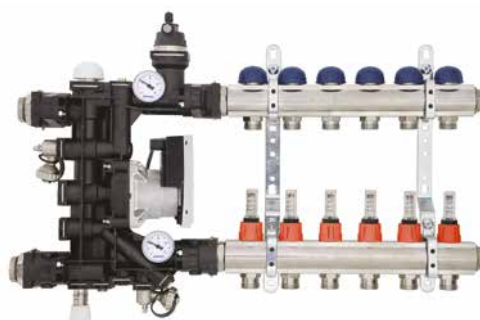
Description	Pcs/Pack	Code	Unit Price £
2-way high	1	28158200	660.80
3-way high	1	28158202	682.80

Supplied with a M3V-HE Control Group (see section 8 for details) and a high temperature manifold with either two or three circuits for the connection of radiators or other high temperature heat emitters. This unit is ready for the connection of a Type 2 Topway manifold for Underfloor Heating, when used with either:

- a thermostatic actuator with remote sensor, code 90046750, 90060890 or
- an electronic actuator: 230V 3 point (28157210) or 24V 0-10V (28157220).

The M3V-HE Control Group includes Wilo Yonos Para HU 15/6 Class A, ErP compliant circulating pump with pump isolating valves, differential pressure valve for the high temperature circuits, return balancing valves, drain/fill valves, flow and return temperature gauges and isolating ball valves for the low temperature circuit.

**FCU-HE Floor Control Unit Plus, with 1" low temperature manifold**



Description	Pcs/Pack	Code	Unit Price £
3-way low	1	28158204	656.40
4-way low	1	28158206	679.00
5-way low	1	28158208	709.20
6-way low	1	28158210	732.20
7-way low	1	28158212	755.10
8-way low	1	28158214	780.70
9-way low	1	28158216	803.20
10-way low	1	28158218	837.80
11-way low	1	28158220	861.30
12-way low	1	28158222	888.00
13-way low	1	28158224	910.60

Supplied with a M3V-HE Control Group (see section 8 for details) and a low temperature manifold with from 3 to 13 circuits for the connection of Underfloor Heating. High temperature heating can be added to the left hand side of the group if required. The M3V-HE Control Group has choice of control options, either:

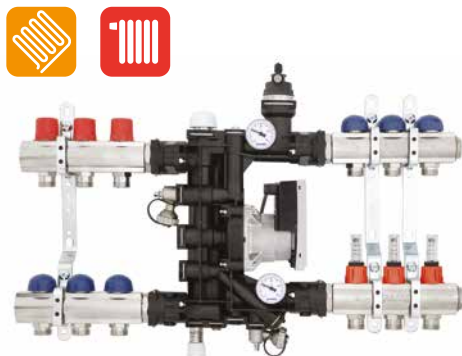
- a thermostatic actuator with remote sensor, code 90046750, 90060890 or
- an electronic actuator, code 28157210 230V, 28157220 24V 0-10V actuator and weather compensating kit 28139070.

The M3V-HE Control Group includes a Wilo Yonos Para HU 15/6 Class A, ErP compliant circulating pump with pump isolating valves, differential pressure valve for the high temperature circuits, return balancing valves, drain/fill valves and flow and return temperature gauges.

## Price List 2017

## FCU-HE Floor Control Unit (continued)

## FCU-HE Floor Control Unit Plus, with 1" high and low temperature manifolds



Description	Pcs/Pack	Code	Unit Price £
2-way high + 3-way low	1	28158226	745.90
2-way high + 4-way low	1	28158228	768.50
2-way high + 5-way low	1	28158230	793.40
2-way high + 6-way low	1	28158232	820.10
2-way high + 7-way low	1	28158234	842.30
2-way high + 8-way low	1	28158236	867.70
2-way high + 9-way low	1	28158238	890.20
2-way high + 10-way low	1	28158240	925.30
2-way high + 11-way low	1	28158242	949.50
2-way high + 12-way low	1	28158244	975.40
2-way high + 13-way low	1	28158246	998.70
3-way high + 3-way low	1	28158248	765.90
3-way high + 4-way low	1	28158250	789.80
3-way high + 5-way low	1	28158252	817.20
3-way high + 6-way low	1	28158254	840.70
3-way high + 7-way low	1	28158256	866.50
3-way high + 8-way low	1	28158258	889.00
3-way high + 9-way low	1	28158260	914.70
3-way high + 10-way low	1	28158262	948.00
3-way high + 11-way low	1	28158264	974.20
3-way high + 12-way low	1	28158266	997.50

Supplied with a M3V-HE Control Group (see section 8 for details) and both high and low temperature manifolds for the connection of Underfloor Heating and high temperature heating. The M3V-HE Control Group has a choice of control options, either:

- a thermostatic actuator with remote sensor, code 90046750, 90060890 or
- an electronic actuator, code 28157210 230V, 28157220 24V 0-10V actuator and weather compensating kit 28139070.

The M3V-HE Control Group includes a Wilo Yonos Para HU 15/6 Class A, ErP compliant, circulating pump with pump isolating valves, differential pressure valve for the high temperature circuits, return balancing valves, drain/fill valves and flow and return temperature gauges.

**Firstbox Flow and Temperature Distribution Groups**

These primary distribution groups, or control sets, allow management of each zone's flow and temperature characteristics. Each circuit can be separately isolated. The 1 1/4" bracket mounted manifolds include as standard 3/4" FBSP outlets, temperature gauges and electrothermic valve bodies. The electrothermic valve will accommodate an electrothermic actuator, which can be wired to a BEMS system interface, a weather compensating package, wiring centres and wall thermostats.

High temperature groups have no temperature management function, instead use the boiler output. Low temperature groups use either a thermostatic mixing valve, or a weather compensating package, including a 3-way actuator body for mixing management, with connectivity to our weather compensating package 28139070. All Firstbox distribution groups are fitted with Wilo Yonos Para RS25/6 RKA class A circulating pumps, compliant with the ErP Directive for circulators.

**Zonal distribution group with circulator pump below, high temperature, no temperature regulation**



Description	Pcs/Pack	Code	Unit Price £
<b>Firstbox</b>			
1 1/4" 1 circuit class A pump	1	28151696	541.40
1 1/4" 2 circuit class A pump	1	28151698	990.80

Fitted with Wilo Yonos Para RS25/6 high efficiency class A circulating pumps, compliant with the ErP Directive for circulators.

Outlet connection 3/4" F BSP. Zone valve body ready for electrothermic head on return manifold.

**Zonal distribution group with circulator pump below, low temperature, thermostatic mixing valve regulation 25°C - 55°C**



Description	Pcs/Pack	Code	Unit Price £
<b>Firstbox</b>			
1 1/4" 1 circuit class A pump	1	28151700	710.30
1 1/4" 2 circuit class A pump	1	28151702	1,294.00

Fitted with Wilo Yonos Para RS25/6 high efficiency class A circulating pumps, compliant with the ErP Directive for circulators.

Outlet connection 3/4" F BSP. Zone valve body ready for electrothermic head, on flow manifold.

**Zonal distribution group with circulator pump below, low temperature, motorised mixing valve, weather compensating regulation**



Description	Pcs/Pack	Code	Unit Price £
<b>Firstbox</b>			
1 1/4" 1 circuit class A pump	1	28151704	705.20

Fitted with Wilo Yonos Para RS25/6 high efficiency class A circulating pumps, compliant with the ErP Directive for circulators.

Outlet connection 3/4" F BSP. Mixing valve body ready for fitting with electronic actuator.

Suitable for use with the RCE weather compensating kit 28139070 see page 56 and electronic actuator 28157210 230V or 28157220 24V 0-10V actuator see page 56.

**Zonal distribution group ready for circulator pump below, high temperature, no temperature regulation**



Description	Pcs/Pack	Code	Unit Price £
1 1/4" 1 circuit	1	28151300	273.40
1 1/4" 2 circuit	1	28151304	452.70

Outlet connection 3/4" F BSP. Zone valve body ready for electrothermic head, on return manifold. Supplied with pipe union connectors.

**Zonal distribution group for circulator pump below, low temperature, thermostatic regulation**



Description	Pcs/Pack	Code	Unit Price £
1 1/4" 1 circuit	1	28151302	441.30
1 1/4" 2 circuit	1	28151306	755.70

Complete with pipe union to be installed downstream of the circulation pump.

Connections for circulator pumps: 1 1/2" F.



## Price List 2017

### Underfloor Heating Manifold Accessories

Pair straight ball valves with pipe union for all Type 3 Mixing Groups



Description	Pcs/Pack	Code	Pair Price £
1" F BSP x 1" F union	1	6066R006	39.50

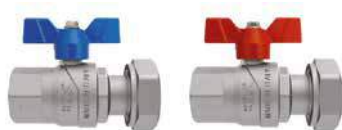
Boxed as a pair, with red and blue aluminium butterfly handles, includes washers.

Copper adaptor; brass chrome-plated



Description	Pcs/Pack	Code	Unit Price £
22mm copper x 1" M BSP	1	U9240018	5.16

Progress straight ball valves kit Female revolving nut with butterfly handle



Description	Pcs/Pack	Code	Pair Price £
¾" F BSP x 1" F union	1	01306280	28.14

Boxed as a pair, with one red handle (flow) one blue handle (return). Washers included.

Copper adaptor; brass chrome-plated



Description	Pcs/Pack	Code	Unit Price £
22mm copper x ¾" M BSP	1	U9240020	3.89

3-point actuator for TM3, M3V-HE Control Groups, FMU2 Floor Mixing Unit, FCU-HE Floor Control Unit and Firstbox



Description	Pcs/Pack	Code	Unit Price £
230V	1	28157210	176.80
24V 0-10V	1	28157220	237.70

Electronic actuator for use with weather compensating kit 28139070 shown below.

RCE Weather compensating kit for heating and cooling



Description	Pcs/Pack	Code	Unit Price £
RCE weather compensator	1	28139070	303.80

The RCE is an electronic temperature controller that has three modes of operation; Weather Compensation, Fixed Point and Modulating. It can be used for low temperature Underfloor Heating and cooling and high temperature radiator heating.

Includes electronic control unit, remote mounting box, 2 sensors, probe holders and extension connector. The RCE can control 230V or 0-10V mixing actuators.

Thermostatic Actuator with Remote Sensor for use with TM3, M3V-HE, FMU2 and FCU-HE control groups



Description	Pcs/Pack	Code	Unit Price £
Remote sensing thermostatic actuator	1	90060890	29.21

A remote sensing thermostatic actuator with a shortened and sleeved capillary tube (400mm) to give added protection.

Temperature range between 20-70°C with range limiting pins.



**Firstbox Accessories**

**Straight swivel adaptors, nickel-plated**



Description	Pcs/Pack	Code	Unit Price £
1 1/4" M x 1 1/4" M	1	01306430	18.02
1 1/4" M x 1" M (reducer)	1	01306432	15.37

**Open manifold (low loss header)**



Description	Pcs/Pack	Code	Unit Price £
2 1/2" - 2+2	1	28151040	162.20

Supplied with 2 x swivel adaptors 1 1/4" M x 1" M (reducers), automatic air vent and drain/fill valve.  
Insulated shell available see below.

**Open manifold (low loss header)**



Description	Pcs/Pack	Code	Unit Price £
2" 1/2 - 4+2	1	28151042	250.40

Supplied with 2 x swivel adaptors 1 1/4" M x 1" M (reducers), automatic air vent and drain/fill valve.  
Insulated shell available see below.

**Open manifold 2+2 Off set, takeoff Firstbox (low loss header)**



Description	Pcs/Pack	Code	Unit Price £
3" 2+2+5 Off set	1	07400284	249.80

Supplied with 2 x swivel adaptors 1 1/4" M x 1" M (reducers), automatic air vent and drain/fill valve.  
No insulation shell available.

**Open manifold (low loss header)**



Description	Pcs/Pack	Code	Unit Price £
2 1/2" - 2 + 2	1	28151048	168.80

Supplied with 2 x swivel adaptors 1 1/4" M x 1" M, automatic air vents and drain/fill valve.

**Insulating shell for Firstbox open manifold**



Description	Pcs/Pack	Code	Unit Price £
Insulating shell	1	01306512	40.55

To be used with 28151040 Open manifold (low loss header). For use with 28151042 drill additional holes with a cutter.  
In mesh expanded closed cell polyethylene.

## Price List 2017

### Firstbox Accessories (continued)

#### Insulating shell for open manifold



Description	Pcs/Pack	Code	Unit Price £
2 ½"	1	01306564	16.69

Insulating shell for use with code 28151048.

#### Insulating shell for FCU-HE Floor Control Unit, and M3V-HE Control Group



Description	Pcs/Pack	Code	Unit Price £
Insulating shell	1	01306510	60.73

These insulating shells are suitable for the FCU-HE Floor Control Unit.

If the shell is being installed on an assembly inside a metal cabinet, it is recommended that the assembly be installed maintaining a distance of 135mm between the back of the box and the wall.

## Type 3 UFH Mixing Groups



### TM3 Mixing Unit

The TM3 control group is available in either Thermostatic or Electronic versions for low temperature heating systems. Each control group includes temperature management, using a thermostatic mixing valve, built in temperature gauge, automatic air vent, non-return valve and swivel joints for connections to the manifold. Complete with brackets for wall mounted installation or into a Metalbox. Incorporated is a high efficiency, Class A Lowara Ecocirc pump with anti-block technology, meeting 2015 ErP standards.



### M3V-HE Control Group

The M3V-HE is a pre-assembled control group which allows connection of low temperature UFH and high temperature radiators combined. For use with Topway Type 2 Manifolds, includes a Class A Wilo Yonos Para HU 15/6 circulating pump, automatic air vent, drain/fill valves, mixing valve body for use with thermostatic or electronic actuators, differential bypass and swivel joints for direct connection to manifolds.



### Type 2 UFH Heat Pump Control Group

A component kit that allows direct connection to a heating manifold with no temperature regulation. Complete with three isolation valves, pump gaskets and automatic differential bypass.



### Type 3 UFH Mixing Group Accessories

A range of accessories for use with Emmeti UFH Mixing Groups including ball valves, washers and adaptors.

## Price List 2017

### TM3 Mixing Unit

#### TM3 Thermostatic Mixer Control Group with Lowara Ecocirc Class A Pump



Description	Pcs/Pack	Code	Unit Price £
TM3 Control Group,thermostatic mixing valve	1	U1830000	384.70

The TM3 is designed for Underfloor Heating. The control group incorporates a Lowara Ecocirc pump and a mixing valve with remote probe actuation to give a temperature range of between 20 - 70°C, making it suitable for screed drying purposes. It includes a throttle to increase Kv for larger systems. Compatible with our Type 2 Topway manifold 210mm centres. Includes 1" M manifold connections with O-ring seals and 1" M connections for primary flow and return.

Includes a temperature gauge measuring the mixed flow temperature, automatic air vent and bracket to support the weight of the pump.

The Class A pump is ErP 2015 compliant, fixed and variable speed with antiblock technology.

Mixing Valve Kvs 3 - 4.8, 10kw - 18kw.

#### TM3 Electronic Mixer Control Group with Lowara Ecocirc Class A Pump



Description	Pcs/Pack	Code	Unit Price £
TM3 Control Group, electronic mixing valve	1	U1834000	358.20

The TM3 is designed for Underfloor Heating. The control group incorporates a Lowara Ecocirc pump and a mixing valve suitable for use with an electronic actuator. Compatible with our Type 2 Topway manifold 210mm centres. Includes 1" M manifold connections with O-ring seals and 1" M connections for primary flow and return.

The TM3 includes a temperature gauge measuring the mixed flow temperature, automatic air vent and bracket to support the weight of the pump.

The Class A pump is ErP 2015 compliant, fixed and variable speed with antiblock technology.

Mixing Valve Kvs 4.

The thermostatic mixing valve requires an electronic actuator: 230V 3 point (28157210) or 24V 0-10V (28157220).

### M3V-HE Control Group

#### M3V-HE Control Group with Class A circulating pump, mixing valve and auto bypass



Description	Pcs/Pack	Code	Unit Price £
1"	1	28158300	513.20
1 1/4"	1	28158310	518.60

The M3V-HE is a mixing valve assembly with integrated Class A circulating pump, mixing valve body, drain/fill valves, automatic air vent and automatic bypass.

For use with Topway Type 2 Manifolds at 200 or 210mm centres with thermostatic or electronic mixing capabilities.

### Type 2 UFH Heat Pump Control Group

#### Type 2 UFH Heat Pump Control Group Components 28mm - 1" MBSP



Description	Pcs/Pack	Code	Unit Price £
28mm - 1" M BSP	1	U9700011	144.20

Boxed components for the Type 2 UFH Heat Pump Control Group. Includes isolating valves for both the manifold and the circulating pump, an automatic differential pressure bypass valve between the inlet and flow and return connections, to allow balancing of the inlet circulation pressure.

28mm compression inlet connections and 1" M BSP swivel connections to Emmeti Type 2 Topway manifold at 210mm centres.

### Type 3 UFH Mixing Group Accessories

#### 1 1/2" gasket for circulating pumps



Description	Pcs/Pack	Code	Unit Price £
1 1/2" pump gasket EPDM	1	U9250040	0.66
1 1/2" pump gasket EPDM*	1	U9460041	1.01

#### Pair straight ball valves with pipe union for all Type 3 Mixing Groups



Description	Pcs/Pack	Code	Pair Price £
1" F BSP x 1" F union	1	6066R006	39.50

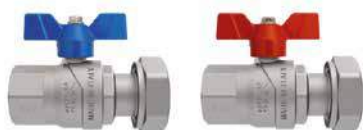
Boxed as a pair, with red and blue aluminium butterfly handles, includes washers.

#### Copper adaptor; brass chrome-plated



Description	Pcs/Pack	Code	Unit Price £
22mm copper x 1" M BSP	1	U9240018	5.16

#### Pair of progress straight ball valves Female-Revolving nut with butterfly handle



Description	Pcs/Pack	Code	Pair Price £
3/4" F BSP x 1" F union	1	01306280	28.14

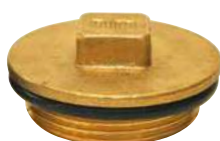
Boxed as a pair, with one red handle (flow) one blue handle (return), includes washers.

#### Copper adaptor; brass chrome-plated



Description	Pcs/Pack	Code	Unit Price £
22mm copper x 3/4" M BSP	1	U9240020	3.89

#### Pump blanking plugs



Description	Pcs/Pack	Code	Pair Price £
1 1/2" M BSP	1	U9760040	41.21

## Price List 2017

### Manifold and Mixing Group Accessories



#### On & In Wall Metal Cabinets

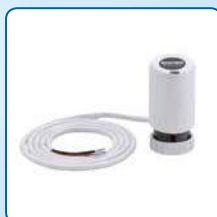
In Wall - manifold cabinet in galvanised steel with enamelled door, white colour, some options are lockable. Available to suit wall thicknesses of 80mm or 120mm, with options to suit 1" manifolds (including Topway), 1 1/4" manifolds.

On Wall - White metal backless manifold cabinet suitable for retro-fitting in various sizes.



#### Ball Valves

A range of straight and angled ball valves, available in light or heavy pattern, boxed as pairs with blue and red handles for easy identification of flow and return connection.



#### Control T Electrothermic Heads

A range of electrothermic heads for use with Topway (Type 2) manifolds, FMU2 Floor Mixing Units and FCU-HE Floor Control Units. Two-wire 'normally open', 'normally closed', and four wire 'normally closed' options are available.



#### Spares and Upgrade Kits

A wide range of spares and upgrade kits to suit Emmeti heating and plumbing manifolds. Including for Topway manifolds: flow meters, thermostatic replacement kits and lockshield replacement kits.

Also available are: drain tees, Topway extension kits, fittings including washers, blanking plugs, adaptors and air vents.

Bracket support kits - available to suit Topway, TopSan, Modular, Multiplex and Mixer manifolds.



#### Differential Pressure By-Pass Kits

Emmeti have developed a range of differential pressure by-pass valves to suit our manifold range. These simple kits can include a pair of ball valves, with red and blue handles for flow and return, by-pass valve, and a chrome plated rigid by-pass pipe. They are designed to either fit before the manifold, or at the end of the manifold. They can be calibrated on site to open at between 0.2 bar, up to 0.5 bar differential between flow and return pressure.



#### Pressure Gauges

Pressure gauges to suit a wide range of Emmeti manifolds, options ranging from 2.5 to 25 bar, with radial and axial connections.

A combined temperature and pressure gauge is also available.



#### Monoblocco Connectors & Spanners

Emmeti have developed Monoblocco connectors to enable connection of a wide range of pipe sizes and materials to our manifolds. Sizes range between 10mm and 26mm. Pipe materials can be PB, Copper, MLCP, PEX and PE-RT.

Spanners for tightening the connectors are available.



## Manifold and Mixing Group Accessories



### Termobox

Termobox – white plastic universal manifold box. Available in 3 different sizes, with integrated slider rails for upper and lower manifolds. Suitable for use with hot and cold plumbing manifolds, as well as heating manifolds.



### Open Manifold - Low Loss Header and Insulating Shell

A low loss header is designed to ensure an even flow of water through the primary circuit whilst ensuring a constant temperature delivery to the downstream system (e.g. Underfloor Heating and radiator circuits). Ideal for use with heat pump systems.



### Over Temperature Protection

An electronic over temperature protection thermostat designed to “lock out” should an over temperature situation occur. Available in two version; High Temp for direct manifold protection (Range 40 - 70°C) and Low Temp for overall floor protection (Range 20 - 40°C)

## Price List 2017

### On and In Wall Metal Cabinets

#### Backless on-wall manifold cabinet for heating manifolds



Description	Pcs/Pack	Code	Unit Price £
L400 (380 x 640 x 135)	1	U9282600	£59.44
L 450 (430 x 640 x 135)	1	U9282610	£59.88
L 530 (510 x 640 x 135)	1	U9282620	£67.81
L680 (660 x 640 x 135)	1	U9282630	£78.93
L830 (810 x 640 x 135)	1	U9282640	£89.31
L1030 (1010 x 640 x 135)	1	U9282650	£101.50
L1130 ( 1110 x 640 x 135)	1	U9282660	£104.10

A range of backless metal cabinets designed to be fitted once the manifold has been fitted, tested, commissioned and decoration has been completed. Please see cabinet sizing technical guide at [www.emmeti.co.uk](http://www.emmeti.co.uk) for correct selection.

#### Manifold cabinet in galvanised steel with enamelled door white colour.



Description	Pcs/Pack	Code	Unit Price £
L 500 (540x630x90-130)	1	01301040	98.08
L 700 (740x630x90-130)	1	01301042	122.90
L 850 (890x630x90-130)	1	01301048	139.70
L 1000 (1040x630x90-130)	1	01301044	159.10

Door to fit flush with finished surface.

Box for manifolds, flush fitting with adjustable depth. Supplied complete with quarter-turn catch, feet adjustable for height from 0 to 130mm and cover for protection during site work.

#### Manifold cabinet in galvanized steel with enamelled door, white colour, key lock.



Description	Pcs/Pack	Code	Unit Price £
L 700 (740x630x90-130)	1	01301162	122.90
L 1000 (1040x630x90-130)	1	01301166	159.10

Door to fit flush with finished surface.

Box for manifolds, flush fitting with adjustable depth. Supplied complete with key locked catch, feet adjustable for height from 0 to 130mm and cover for protection during site work.

#### Manifold cabinet in galvanised steel with enamelled door white colour.



Description	Pcs/Pack	Code	Unit Price £
L 500 (540x630x110-160)	1	01301030	102.80
L 700 (740x630x110-160)	1	01301032	126.60
L 850 (890x630x110-160)	1	01301038	143.70
L 1000 (1040x630x110-160)	1	01301034	162.50
L 1200 (1240x630x110-160)	1	01301036	183.30

Surface-mounting door thickness 15mm.

Box for manifolds, flush fitting with adjustable depth. Supplied complete with quarter-turn catch, feet adjustable for height from 0 to 130mm and cover for protection during site work.

## On and In Wall Metal Cabinets (Continued)

Manifold cabinet in galvanised steel with enamelled door, white colour, key lock.



Description	Pcs/Pack	Code	Unit Price £
L 700 (740x630x110-160)	1	01301100	144.00
L 850 (890x630x110-160)	1	01301102	172.40
L 1000 (1040x630x110-160)	1	01301104	193.10
L 1200 (1240x630x110-160)	1	01301106	212.20

Frame and door to fit flush with finished surface.

Box for manifolds, flush fitting with adjustable depth. Supplied complete with key locked catch, feet adjustable for height from 0 to 130mm and cover for protection during site work.

## Ball Valves (Perfecta Ball Valves - Light Pattern)

Pair straight Perfecta ball valves with female - male union connection



Description	Pcs/Pack	Code	Pair Price £
1" F-MU	1	9721R006	36.74

Boxed as a pair, with red and blue aluminium butterfly handles. Includes O-ring seals.

Pair straight Perfecta ball valves with inline temperature gauge, female - male union connection



Description	Pcs/Pack	Code	Pair Price £
1" F-MU	1	9720R006	49.78

Boxed as a pair, with red and blue aluminium butterfly handles. Includes O-ring seals and integrated temperature gauge.

## Ball Valves (Progress Ball Valves - Heavy Pattern)

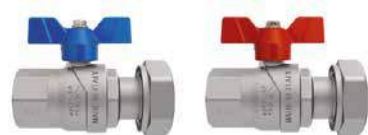
Pair of progress straight ball valves Female-Revolving nut with butterfly handle



Description	Pcs/Pack	Code	Pair Price £
1" F BSP x 1" F union	1	6066R006	39.50

Boxed as a pair, with red and blue aluminium butterfly handles. Includes washers.

Pair of progress straight ball valves Female-Revolving nut with butterfly handle



Description	Pcs/Pack	Code	Pair Price £
3/4" F BSP x 1" F union	1	01306280	28.14

Boxed as a pair, with one red handle (flow) one blue handle (return). Includes washers.

Pair straight Progress ball valves with inline temperature gauge, compression and pipe union connection



Description	Pcs/Pack	Code	Pair Price £
22mm x 1" MU	1	6052R622	59.13

Boxed as a pair, with red and blue aluminium butterfly handles. Includes O-ring seals.

## Price List 2017

### Ball Valves (Progress Ball Valves - Heavy Pattern)

#### Pair right-angle Progress ball valves with female - male union connection



Description	Pcs/Pack	Code	Pair Price £
¾" F-MU	1	9745R005	30.83
1" F-MU	1	6064R006	47.10
1¼" F-MU	1	9745R007	77.22

Boxed as a pair, with red and blue aluminium butterfly handles.  
Includes O-ring seals.

#### Pair straight Progress ball valves with female - male union connection



Description	Pcs/Pack	Code	Pair Price £
¾" F-MU	1	9723R005	27.59
1" F-MU	1	6062R006	40.92
1¼" F-MU	1	9723R007	62.08

Boxed as a pair, with red and blue aluminium butterfly handles. Includes O-ring seals.

#### Pair straight Progress ball valves with offset temperature gauge, female - male union connection



Description	Pcs/Pack	Code	Pair Price £
1" F-MU	1	6061R006	52.46

Boxed as a pair, with red and blue aluminium butterfly handles.  
Includes O-ring seals.

#### Pair straight Progress ball valves with inline temperature gauge, female - male union connection



Description	Pcs/Pack	Code	Pair Price £
1¼" F-MU	1	9722R007	75.48

Boxed as a pair, with red and blue aluminium butterfly handles.  
Includes O-ring seals.

#### Pair right-angle Progress ball valves with offset temperature gauge, female - male union connection



Description	Pcs/Pack	Code	Pair Price £
1" F-MU	1	6063R006	57.27

Boxed as a pair, with red and blue aluminium butterfly handles.  
Includes O-ring seals.

#### Pair right-angle Progress ball valves with inline temperature gauge, female - male union connection



Description	Pcs/Pack	Code	Pair Price £
1¼" F-MU	1	9744R007	90.97

Boxed as a pair, with red and blue aluminium butterfly handles.  
Includes O-ring seals.

**Control T Electrothermic Heads** (continued)

**Control T - electrothermic head normally closed**



Description	Pcs/Pack	Code	Unit Price £
230V NC	1	01213242	17.20
24V NC	1	01213202	17.46

Note: The electrothermic heads can be used in conjunction with: Topway Type 2, FCU-HE and FMU2 Floor Mixing Unit. Supplied with 1m cable. 2 wire.

**Control T - electrothermic head normally closed with end switch (4 A 230 V)**



Description	Pcs/Pack	Code	Unit Price £
230V with micro switch NC	1	01213252	20.92
24V with micro switch NC	1	01213212	21.19

Note: The electrothermic heads can be used in conjunction with: Topway Type 2, FCU-HE and FMU2 Floor Mixing Unit. Supplied with 1m cable. 4-wire. The two additional cores are connected to an auxiliary switch, which allows an external load to be energised on operation of the head.

**Control T - electrothermic head normally open**



Description	Pcs/Pack	Code	Unit Price £
230V NO	1	01213280	17.73
24V NO	1	01213260	18.00

Note: The electrothermic heads can be used in conjunction with: Topway Type 2, FCU-HE and FMU2 Floor Mixing Unit. Supplied with 1m cable. 2-wire.

**Adaptor for Control T electrothermic heads**



Description	Pcs/Pack	Code	Pack Price £
Spacing disc c. 9mm dia. X 1mm thick	12	90039364	2.04

To be fitted to electrothermic heads in order to give additional travel when fitted to non-Emmeti manifolds.

**Spares and Upgrade Kits**

**Copper adaptor; brass chrome-plated**



Certificate No. 1607050



Description	Pcs/Pack	Code	Unit Price £
22mm copper x 1" M BSP	1	U9240018	5.16

**Copper adaptor; brass chrome-plated**



Certificate No. 1607050



Description	Pcs/Pack	Code	Unit Price £
22mm copper x 3/4" M BSP	1	U9240020	3.89

**Topway lockshield with incorporated flow meter 0-4 l/min**



Description	Pcs/Pack	Code	Unit Price £
0-4 l/min, 1/2" MBSP metal threaded	1	01306302	7.64

Double regulating, allows for isolation of circuits as well as visual flow regulation. This does not include Topway lockshield/flowmeter seat. To order a lockshield/ flowmeter seat refer to code 01306312 or 01306316 shown overleaf.

## Price List 2017

### Spares and Upgrade Kits (continued)

#### Topway lockshield



Description	Pcs/Pack	Code	Unit Price £
½" MBSP metal threaded	1	01306300	5.40

Replacement manifold lockshield assembly. Can be used to change flowmeters to lockshields.

#### Topway flow meter only



Description	Pcs/Pack	Code	Unit Price £
0-2.5 l/min	1	01306304	4.60
0-4 l/min	1	01306306	4.23
0-6 l/min	1	01306308	4.60

For direct replacement of dirty flowmeters or to upgrade from a lockshield kit. Offers the same functionality as a lockshield with the additional feature of a visual flow rate. Code 01306306 0-4 l/min is a direct replacement for Topway Type 2 standard supply.

#### Topway lockshield / flow meter seat



Description	Connection	Pcs/Pack	Code	Unit Price £
For 1" manifolds	½" MBSP - 24x19	1	01306312	3.26
For 1¼" manifolds	½" MBSP - 24x19	1	01306316	3.80

#### Topway thermostatic replacement kit



Description	Connection	Pcs/Pack	Code	Unit Price £
For 1" manifolds	½" MBSP - 24x19	1	01306114	6.48
For 1¼" manifolds	½" MBSP - 24x19	1	01306118	6.86

#### Topway circuit indicator pack with 12 red bands



Description	Pcs/Pack	Code	Pack Price £
1" - 1¼"	1	01306320	8.84

With labels for identifying circuits. To lock Topway flow meter.

#### Topway blue cap for electrothermic valves



Description	Pcs/Pack	Code	Unit Price £
Electrothermic valve cap	1	90004470	0.21

NOTE: This should only be used temporarily until the electrothermic head is installed. For permanent capping, use code 01306112 shown below.

#### Topway hand wheel for manual control



Description	Pcs/Pack	Code	Unit Price £
Manual electrothermic valve head	1	01306112	1.49

For use where no electrothermic head is to be used, but manual control is required.



**Spares and Upgrade Kits** (continued)

**Topway red cap for lockshield valves**



Description	Pcs/Pack	Code	Unit Price £
Replacement lockshield cap	1	90023360	0.31

**1" end T-piece nut and O-ring**



Description	Pcs/Pack	Code	Unit Price £
1" M x 1/2" F BSP x 1/2" F BSP	1	01306298	12.48

With 1/2" female connections for manual or automatic air vent, drain/fill valves, pressure gauges or temperature/pressure gauges. The 1" M connection to the manifold is complete with an O-ring sealing face and locking nut for easy orientation.

**Tecno-Varia auto air vent**



Description	Pcs/Pack	Code	Unit Price £
1/2"	1	00400004	5.46

Combines manual and automatic venting functions.

**Manual Bleed Valve**



Description	Pcs/Pack	Code	Unit Price £
1/2"	1	00410021	0.94

Manual bleed valve.

**Drain/fill valve, nickel-plated**



Description	Pcs/Pack	Code	Unit Price £
1/2"	1	90011790	8.56

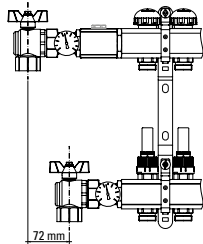
1/2" M connection with 3/4" hose connection. Allows easy pipe connection with 360° orientation.

**Hose tail for filling and draining**



Description	Pcs/Pack	Code	Unit Price £
3/4" loose nut x 3/8" barb	1	09020012	1.19

**Extension piece for Topway manifolds**



Description	Pcs/Pack	Code	Unit Price £
M-F 1" c/w 1/2" blanked port	1	01306254	18.34
M-F 1 1/4" no port	1	01306256	20.94

Used to offset either the flow or return angled ball valves on the left side of a manifold. It allows you to run pipe vertically and parallel.

## Price List 2017

### Spares and Upgrade Kits (continued)

#### Blanking plugs, male and female, nickel-plated



Certificate No.  
1507073



Description	Pcs/Pack	Code	Unit Price £
½" M with O-ring seal	1	90004930	1.23
¾" M with O-ring seal	1	90004820	1.80
1" M with O-ring seal	1	90004830	2.42
1¼" M with O-ring seal	1	90005070	3.79
¾" F (*)	1	01291536	1.61
1" F (*)	1	01291538	2.56
24x19 F with O-ring seal (Manifold outlet cap)	1	01321460	1.41

(\*) Use the appropriate washer (90008200 or 90008210) shown below when ordering these items.

#### Female washers



Certificate No.  
1507073



Description	Pcs/Pack	Code	Unit Price £
¾" F	1	90008200	0.26
1" F	1	90008210	0.21

#### Reducer fittings, nickel-plated



Certificate No.  
1507073



Description	Pcs/Pack	Code	Unit Price £
¾" M x ¾" F	1	90005050	1.75
¾" M x ½" F	1	90004840	1.94
1" M x ¾" F	1	90005060	3.17
1" M x ½" F	1	90004850	3.17
1" M x ¾" F	1	90006870	2.84
1¼" M x ½" F	1	90005080	5.68
1¼" M x 1" F	1	90005084	4.26
½" M x ¼" F with O-ring seal and gasket	1	01306464	3.78

#### Metal brackets for Topway manifolds, pairs of single brackets



Description	Pcs/Pack	Code	Pair Price £
¾"	Pair	90011500	6.81
1"	Pair	90011510	6.86
1¼"	Pair	90011520	6.90

#### Metal brackets for Topway manifolds, pairs of double brackets



Description	Centres	Pcs/Pack	Code	Pair Price £
¾"	200mm	Pair	90011530	11.30
1"	200mm	Pair	90011540	11.39
1¼"	200mm	Pair	90011550	11.49
¾"	210mm	Pair	90011560	10.83
1"	210mm	Pair	90011570	10.92
1¼"	210mm	Pair	90011580	11.02

For use when fitting a manifold to either a 200mm or 210mm centre control group.

#### Aluminium slider rail for bracket support kits supplied with screw and rawplug pack



Description	Pcs/Pack	Code	Unit Price £
200mm	1	01306398	8.65
400mm	1	01306400	13.28

Provided with two 4.5mm DIA pre-drilled holes.  
The 400mm version is provided with four 4.5mm DIA pre-drilled holes, in two pairs spaced 160mm apart. Kiss cut at 200mm.

**Spares and Upgrade Kits** (continued)

**Plastic bracket support kits for Topway and TopSan manifolds**



Description	Size	Pcs/Pack	Code	Pack Price £
10 pairs bracket support kit	¾"	1	01302120	10.40
10 pairs bracket support kit	1"	1	01302130	10.40

To be used with slider rails or Termobox cabinet.

**Plastic bracket support kits for Modular and Multiplex manifolds**



Description	Size	Pcs/Pack	Code	Pack Price £
10 pairs bracket support kit	¾"	1	01302140	8.94
10 pairs bracket support kit	1"	1	01302150	8.94

To be used with slider rails or Termobox cabinet.

**Plastic bracket support kits for Mixer manifolds**



Description	Size	Pcs/Pack	Code	Pack Price £
10 bracket support kits	¾" and 1"	1	01302160	9.08

To be used with slider rails or Termobox cabinet.

**Insulating shells for Topway manifolds**



Description	Pcs/Pack	Code	Unit Price £
1¼"	1	01306502	25.67

In extruded polyethylene. 12 branch holes at 50mm intervals. To be cut to size according to the number of ways of the manifold to be insulated.

**Straight male-male adaptors, nickel-plated**



Description	Pcs/Pack	Code	Unit Price £
1" M x 1" M with O-ring seal	1	90006700	4.89
1¼" M x 1¼" M with O-ring seal	1	90006910	7.87

For bridging between Topway manifolds.

**Straight male-female adaptor**



Description	Pcs/Pack	Code	Pair Price £
1" M x 1" F flat union coupling and gasket	Pair	01306460	18.49

These are sold in pairs.

**Straight swivel adaptors, nickel-plated**



Description	Pcs/Pack	Code	Unit Price £
1" M x 1" M	1	01306426	11.22
1¼" M x 1¼" M	1	01306430	18.02
1¼" M x 1" M reducer	1	01306432	15.37
¾" M x ¾" M	1	01306434	10.62

Allows orientation of product during installation.

## Price List 2017

### Spares and Upgrade Kits (continued)

#### Spanner for straight swivel adaptors 37mm - 48mm AF



Description	Pcs/Pack	Code	Unit Price £
37 - 48mm	1	01306044	5.16

Two are required when tightening swivel adaptors.

#### Male tee union with female pipe union for temperature gauge



Description	Pcs/Pack	Code	Unit Price £
FU-M 24x19	1	90011760	7.90
FU-M 3/4" Eurocone	1	90011770	8.80

The temperature gauge below is designed to be fitted to the flow and return manifold takeoff connections, allowing in-line monitoring of circuit temperatures.

#### Temperature gauge Ø 40



Description	Pcs/Pack	Code	Unit Price £
0-80 °C	1	90006860	5.35

For installation into a 1/2" manifold tapping, use 1/2" temperature gauge pocket, code 90026530 and O-ring pocket seal code 90047400.

### Differential Pressure By-Pass Kits

#### Differential pressure by-pass kit with right angle Progress ball valves



Description	Pcs/Pack	Code	Unit Price £
1"	1	01306186	133.10

Differential pressure by-pass valve from 0.2 to 0.5 bar.  
For connection to the left side of a manifold, connecting to flow and return rails. By-passed flow direction is from flow (red handle) to return (blue handle).

#### Differential pressure by-pass kit



Description	Pcs/Pack	Code	Unit Price £
1"	1	01306174	44.29
1 1/4"	1	01306176	50.16

For Topway pre-assembled manifolds.  
For connection to the right-hand side of a manifold, connecting to flow and return rails. For this configuration, the flow is on the bottom connection and the return on the top connection. It can easily be reversed on site.  
Differential pressure by-pass valve from 0.2 to 0.5 bar.

**Pressure Gauges**

**Pressure gauge with radial connection**



Description	Pressure	Pcs/Pack	Code	Unit Price £
1/4" x 50mm	4 bar	1	00612452	5.82
1/4" x 50mm	6 bar	1	00616024	5.82
1/4" x 63mm	2.5 bar	1	00612003	6.34
1/4" x 63mm	4 bar	1	00612004	6.34
1/4" x 63mm	6 bar	1	00612006	6.34
1/4" x 63mm	10 bar	1	00612010	6.34
1/4" x 63mm	16 bar	1	00612016	6.34
1/4" x 63mm	25 bar	1	00612025	6.34
3/8" x 80mm	4 bar	1	00614004	12.53
3/8" x 80mm	6 bar	1	00614006	12.53
3/8" x 80mm	10 bar	1	00614010	12.53
3/8" x 80mm	16 bar	1	00614016	12.53
3/8" x 80mm	25 bar	1	00614025	12.53

**Pressure gauge with axial connection**



Description	Pressure	Pcs/Pack	Code	Unit Price £
1/4" x 50mm	4 bar	1	00616020	5.82
1/4" x 50mm	10 bar	1	00612442	5.82
1/4" x 63mm	4 bar	1	00616004	6.57
1/4" x 63mm	6 bar	1	00616006	6.57
1/4" x 63mm	10 bar	1	00616010	6.57

Casing in ABS plastic. For use with 01306458 tee piece.

**Combined temperature and pressure gauge**



Description	Pcs/Pack	Code	Unit Price £
1/4" M c/w 1/2" M check valve x 80mm			
Axial connection	1	00600012	17.04
Radial connection	1	00602012	24.17

Max: Pressure 4 bar, temperature 120 °C

**Tee with pipe union for pressure gauges**



Description	Pcs/Pack	Code	Unit Price £
1/2" M-F x 1/4"	1	01306458	11.18

Designed to be fitted to a 1/2" manifold tapping, it has a pre-assembled 1/2" x 1/4" reducer to provide connection of a pressure gauge, complete with gauge sealing gasket.

The 1/2" M BSP connection to manifold includes an O-ring seal and locking ring, for orientation.

The 1/2" F BSP connection allows a manual 00410021 (page 116) or automatic air vent 00400004 (page 116) to be connected

**Monoblocco Connectors and Spanners**

**Monoblocco connector for plastic PB polybutylene pipe, nickel-plated**



Certificate No. 1507073



Description	Thread	Pcs/Pack	Code	Unit Price £
10	24x19	1	28100318	2.71
15	24x19	1	28100330	2.28

Please ensure you use the plastic pipe insert provided for by the manufacturer of the pipe you are using.

## Price List 2017

### Monoblocco Connectors and Spanners (continued)

#### Monoblocco connector for copper pipe, nickel-plated



Certificate No.  
1507073



Description	Thread	Pcs/Pack	Code	Unit Price £
10	24x19	1	01321410	1.37
15	24x19	1	01321415	1.29

#### Monoblocco connector for MLCP MultiLayer composite pipes, nickel-plated



Certificate No.  
1507073



Description	Thread	Pcs/Pack	Code	Unit Price £
12 x 1.6	24x19	1	28100355	3.79
14 x 2	24x19	1	28100356	2.60
16 x 2	24x19	1	28100358	2.47
16 x 2.25	24x19	1	28100360	2.60
18 x 2	24x19	1	28100364	2.56
20 x 2	24x19	1	28100366	2.51
20 x 2.25	24x19	1	28100374	4.55
26 x 3	32x1.5	1	28100368	6.13

Note: Manifolds with 24x19 takeoff connections can be adapted for use with 32x1.5 Monobloccos by using the following fitting:  
24x19F - 32x1.5M, code 01306252. See page 81.

#### Monoblocco connector for PE-X, Pure PE-RT and PP, nickel-plated



Description	Thread	Pcs/Pack	Code	Unit Price £
12 x 1	24x19	1	28110100	3.65
12 x 2	24x19	1	28100322	3.96
14 x 2	24x19	1	28100324*	3.87
15 x 1.7	24x19	1	28100326	3.58
16 x 1.5	24x19	1	28100332	3.45
16 x 2	24x19	1	28100334	3.50
16 x 2.2	24x19	1	28100336	3.45
17 x 2	24x19	1	28100340	3.50
25 x 3.2	24x19	1	28100382	£6.40

Not suitable for use with MLCP Pipe, see correct connector above.

Note: Manifolds with 24x19 takeoff connections can be adapted for use with 32x1.5 Monobloccos by using the following fitting:  
24x19F - 32x1.5M, code 01306252. See page 81.

\*Available while stocks last.

#### Universal Monoblocco for MLCP, Pure PE-RT, PE-X and PP



Description	Thread	Pcs/Pack	Code	Unit Price £
20 x 2	24 x 19	1	28110128	3.12

A universal Monoblocco connector for use when connecting 20 x 2mm MLCP, PE-RT, PE-X and PP pipe to Emmeti 24 X 19 Manifold outlet connections and fittings.

#### 27mm - 30mm AF spanner for tightening 24x19 Monoblocco connectors



Description	Pcs/Pack	Code	Unit Price £
27 - 30mm	1	01306058	64.14

Designed to easily tighten the takeoff connections in the 36mm interaxial space provided.

The 30mm jaw is for use with larger Monoblocco connectors.



**Monoblocco Connectors and Spanners** (continued)

**27mm AF spanner for tightening 24x19 Monoblocco connectors**



Description	Pcs/Pack	Code	Unit Price £
27mm	1	01306054	6.67

For Monoblocco connectors up to dia 18mm only.  
Shoulderless spanner for manifolds with 36mm interaxials.

**Termobox**

**Termobox - white plastic universal manifold box**



Description	Pcs/Pack	Code	Unit Price £
310 x 310 x 90	1	01302090	17.41
460 x 310 x 90	1	01302100	21.45
610 x 310 x 90	1	01302110	27.50

Integrated into the back panel of the box are two slider rails, to support an upper and lower manifold when used with slider rail brackets.  
Suitable for use with hot and cold plumbing manifolds, as well as heating manifolds. Knock out panels allow for pipe distribution on all sides.  
For manifold sizing information, please see our website [www.emmeti.co.uk](http://www.emmeti.co.uk)

**Open Manifold - Low Loss Header and Insulating Shell**

**Open manifold (low loss header)**



Description	Pcs/Pack	Code	Unit Price £
2½" - 2+2	1	28151040	162.20

Supplied with 2 x swivel adaptors 1¼" M x 1" M (reducers), automatic air vent and drain/fill valve. Insulating shell available, see page 76.

**Open manifold (low loss header)**



Description	Pcs/Pack	Code	Unit Price £
2"½ - 4+2	1	28151042	250.40

Supplied with 2 x swivel adaptors 1¼" M x 1" M (reducers), automatic air vent and drain/fill valve. Insulating shell available, see page 76.

**Open manifold 2+2 Off set, takeoff Firstbox (low loss header)**



Description	Pcs/Pack	Code	Unit Price £
3" 2+2+5 Off set	1	07400284	249.80

Supplied with 2 x swivel adaptors 1¼" M x 1" M (reducers), automatic air vent and drain/fill valve.

No insulation shell available.

## Price List 2017

### Open Manifold - Low Loss Header and Insulating Shell (continued)

#### Open manifold (low loss header)



Description	Pcs/Pack	Code	Unit Price £
2 ½" - 2 + 2	1	28151048	168.30

Supplied with 2 x swivel adaptors 1¼" M x 1" M, automatic air vents and drain/fill valve.

#### Insulating shell for Firstbox open manifold



Description	Pcs/Pack	Code	Unit Price £
Insulating shell	1	01306512	40.55

To be used with 28151040 Open manifold (low loss header). For use with 28151042 drill additional holes with a cutter.

In mesh expanded closed cell polyethylene.

#### Insulating shell for open manifold



Description	Pcs/Pack	Code	Unit Price £
2 ½"	1	01306564	16.69

Insulating shell for use with code 28151048.

## Over Temperature Protection

#### Over Temperature Protection



Description	Pcs/Pack	Code	Unit Price £
Over Temp. Thermostat Low 20-40°C	1	U9132330	43.44
Over Temp. Thermostat High 40-70°C	1	U9132340	43.44

An over temperature protection device available in two versions - High Temperature for direct manifold protection and Low Temperature for overall floor protection. Designed to be connected in series to the circulating pump, zone valve or heat source to "lock out" in the event of an over temperature situation. Internal dial to set the temperature limit and manually resettable lock out button.

## UFH Pipes & Fittings



### PE-RT/AL/PE-RT Alpert MLCP UFH Barrier Pipe

Five layer composite pipe using PE-RT inner and outer layers with a 0.2mm thick butt-welded aluminium core. Can be formed by hand and maintains its shape – perfect for Underfloor Heating installation. Suitable for general use in Underfloor and low temperature heating applications, maximum temperature 70°C and 10 bar maximum pressure. Available in 16mm x 2mm, 100m, 200m & 500m coils and 20 x 2mm in 100m and 240m coils.



### PE-Xa Barrier Pipe

Three layer barrier pipe with EVOH oxygen barrier outer layer and PE-Xa inner layer. Easy to bend and secure for Underfloor Heating pipework. Suitable for use in general heating applications, maximum temperature 95°C, 6 bar maximum pressure. Available in sizes:  
16mm x 2mm, 240m, 500m coils.  
17mm x 2mm, 240m, 500m, 600m coils.  
20mm x 2mm, 500m coils.  
25mm x 2.3mm, 500m coils.



### PE-Xc Barrier Pipe

12 x 2mm five layer barrier pipe with internal EVOH oxygen barrier, manufactured from cross linked, high density polyethylene. Easy to bend and secure for use in Underfloor Heating and Wall Hung Radiator Systems. Maximum Temperature 90°C at 10 bar. Coil size 240m.



### Pipe Conduit

A range of flexible conduit with an internal diameter of between 19mm and 23mm. To protect and sleeve the pipe through areas where heat is not required.



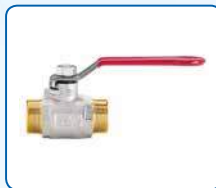
### Monoblocco 24x19 Connectors

Unique single piece 24x19 connectors suitable for a wide range of pipe and manifold applications including: copper pipe, high temperature solar systems, MultiLayer composite (MLCP) pipe, PEX, PP and PB pipes. Available for non-standard pipe sizes: 10, 12, 14, 15, 16, 17, 18, 20, 25 and 26mm. A range of spanners are available to suit.



### Threaded 24x19 by BSP F or M Fittings

A range of 24x19 threaded fittings including straights, elbows and tees, nickel plated, BSP joint combinations from ½" to 1" sizes.



### Monoblocco 24x19 by BSP F or M Ball Valves - Top Range

24x19 threaded Monoblocco ball valves, available with lever or butterfly handles, 24x19 sizes and in male or female combinations.



### Pipe Accessories

A range of Underfloor Heating pipe accessories, including pipe shears, pipe cutters, leakage test plug for MultiLayer pipe, flarer and calibrators for MultiLayer pipe.

## Price List 2017

### PE-RT/ALPE-RT Alpert MultiLayer Composite MLCP UFH Barrier Pipe

Alpert MLCP MultiLayer barrier pipe for Underfloor Heating only



Certificate No.  
1410567

Description	Coils	Code	Price £/m
16 x 2	100m	28107002	1.39
16 x 2 (random numbering)	100m	28107055*	1.37
16 x 2	200m	28107000	1.39
16 x 2	500m	28107004	1.39
20 x 2	100m	28107016	1.83
20 x 2	240m	28107018	1.83

MultiLayer Composite pipe for Underfloor Heating systems only. Made from a 5 layer composite material, using PE-RT as the inner and outer layers coupled with a 0.2mm butt welded aluminium core. Maximum operating pressure 10bar; maximum operating temperature 70°C.

\* pipe with random metre numbering, subject to availability.

### PE-Xa Barrier Pipe

PE-Xa barrier pipe



Description	Coils	Code	Price £/m
16 x 2	240m	U9530040	1.29
16 x 2	500m	U9530050	1.29
17 x 2	240m	28130674	1.67
17 x 2	600m	28130676	1.67
20 x 2	500m	28130684	1.98
25 x 2.3	500m	28130686	3.33

A 3 layer barrier pipe using a PE-Xa inner and an EVOH outer layer conforming to EN ISO 15875 and DIN 4726. Maximum operating pressure 6 bar; maximum operating temperature 95°C.

### PE-Xc Barrier Pipe

PE-Xc barrier pipe



Description	Coils	Code	Price £/m
12 x 2	240	28141802	1.40

12 x 2mm Five layer barrier pipe in high density polyethylene, cross linked. Easy to bend and secure for use in Underfloor Heating and Wall Hung Radiator Systems.

Maximum operating temperature 90 C at 10 bar. Conforms to EN ISO 15875-2 and DIN 4726

### Pipe Conduit

Pipe conduit



Description	Coils	Code	Price £/m
24x19 ID black*	25m	U9510110	1.29
25x20 ID red	50m	U9510030	0.93
25x20 ID blue	50m	U9510040	0.93
28x23 ID red	50m	U9510050	1.79
28x23 ID blue	50m	U9510060	1.79

A range of flexible conduit with an internal diameter of between 19mm and 23mm. To protect and sleeve the pipe through areas where heat is not required. Pipe marked \* is slit for ease of installation.

**Monoblocco 24x19 Connectors**

Monoblocco connector for plastic PB polybutylene pipe, nickel-plated



Certificate No.  
1507073



Description	Thread	Pcs/Pack	Code	Unit Price £
10	24x19	1	28100318	2.71
15	24x19	1	28100330	2.28

Please ensure you use the plastic pipe insert provided for by the manufacturer of the pipe you are using.

Monoblocco connector for copper pipe, nickel-plated



Certificate No.  
1507073



Description	Thread	Pcs/Pack	Code	Unit Price £
10	24x19	1	01321410	1.37
15	24x19	1	01321415	1.29

Monoblocco connector for MLCP MultiLayer composite pipes, nickel-plated



Certificate No.  
1507073



Description	Thread	Pcs/Pack	Code	Unit Price £
12 x 1.6	24x19	1	28100355	3.79
14 x 2	24x19	1	28100356	2.60
16 x 2	24x19	1	28100358	2.47
16 x 2.25	24x19	1	28100360	2.60
18 x 2	24x19	1	28100364	2.56
20 x 2	24x19	1	28100366	2.51
20 x 2.25	24x19	1	28100374	4.55
26 x 3	32x1.5	1	28100368	6.13

Note: Manifolds with 24x19 takeoff connections can be adapted for use with 32x1.5 Monobloccos by using the following fitting: 24x19F - 32x1.5M, code 01306252. See page 81.

Monoblocco connector for PE-X, Pure PE-RT and PP, nickel-plated



Description	Thread	Pcs/Pack	Code	Unit Price £
12 x 1	24x19	1	28110100	2.65
12 x 2	24x19	1	28100322	3.96
14 x 2	24x19	1	28100324*	3.87
15 x 1.7	24x19	1	28100326	3.58
16 x 1.5	24x19	1	28100332	3.45
16 x 2	24x19	1	28100334	3.50
16 x 2.2	24x19	1	28100336	3.45
17 x 2	24x19	1	28100340	3.50
25 x 2.3	24x19	1	28100382	£6.40

Not suitable for use with MLCP Pipe, see correct connector above.

Note: Manifolds with 24x19 takeoff connections can be adapted for use with 32x1.5 Monobloccos by using the following fitting:

24x19F - 32x1.5M, code 01306252. See page 81.

\* Available while stocks last.

Universal Monoblocco for MLCP, Pure PE-RT, PE-X and PP



Description	Thread	Pcs/Pack	Code	Unit Price £
20 x 2	24 x 19	1	28110128	3.12

A universal Monoblocco connector for use when connecting 20 x 2mm MLCP to Emmeti 24 X 19 Manifold outlet connections and fittings.

## Price List 2017

### Monoblocco 24x19 Connectors (continued)

#### 27mm-30mm AF spanner for tightening 24x19 Monoblocco connectors



Description	Pcs/Pack	Code	Unit Price £
27-30mm	1	01306058	64.14

Design to easily tighten the takeoff connections in the 36mm interaxial space provided. The 30mm jaw is designed for use with larger Monoblocco connectors.

#### 27mm AF spanner for tightening 24x19 Monoblocco connectors



Description	Pcs/Pack	Code	Unit Price £
27mm	1	01306054	6.67

For Monoblocco connectors up to dia 18mm only. Shoulderless spanner for manifolds with 36mm interaxials.

#### 38mm AF spanner for 32x1.5mm Monoblocco connectors



Description	Pcs/Pack	Code	Unit Price £
38mm	1	28171002	101.10

To be used for the tightening of Monoblocco connectors 32x1.5 on the takeoff connections of Topway manifolds with 50mm connector spacing.

### Threaded 24x19 by BSP for F or M Fittings

#### Straight male-female BSP joint, nickel-plated



Certificate No.  
1507073



Description	Thread	Pcs/Pack	Code	Unit Price £
½" F BSP	24x19	1	28103000	1.80
¾" F BSP	24x19	1	28103010	2.87
¾" F BSP	32x1.5	1	28103020	3.09
1" F BSP	32x1.5	1	28103030	3.54

#### Straight male-male BSP joint, nickel-plated



Certificate No.  
1507073



Description	Thread	Pcs/Pack	Code	Unit Price £
½" M BSP	24x19	1	28103040	1.84
¾" M BSP	24x19	1	28103050	2.78
¾" M BSP	32x1.5	1	28103060	3.09
1" M BSP	32x1.5	1	28103070	3.32

#### Straight male-male joint, nickel-plated (Repair Kit)



Certificate No.  
1507073



Description	Thread	Pcs/Pack	Code	Unit Price £
24x19	24x19	1	28103080	1.84
32x1.5	32x1.5	1	28103090	3.18

A straight connector, can be used as a repair kit in case of damaged pipe by using two connectors and 4 correct pipe size Monoblocos.

#### Elbow male-female BSP joint, nickel-plated



Certificate No.  
1507073



Description	Thread	Pcs/Pack	Code	Unit Price £
½" F BSP	24x19	1	28103100	2.91
¾" F BSP	24x19	1	28103110	3.85
¾" F BSP	32x1.5	1	28103120	4.50
1" F BSP	32x1.5	1	28103130	5.96



**Threaded 24x19 by BSP for F or M Fittings** (continued)

**Elbow male-male BSP joint, nickel-plated**



Certificate No.  
1507073



Description	Thread	Pcs/Pack	Code	Unit Price £
½" M BSP	24x19	1	28103140	2.69
¾" M BSP	24x19	1	28103150	3.41
¾" M BSP	32x1.5	1	28103160	3.92
1" M BSP	32x1.5	1	28103170	5.55

**Elbow male-male joint, nickel-plated**



Certificate No.  
1507073



Description	Thread	Pcs/Pack	Code	Unit Price £
24x19	24x19	1	28103180	2.78
32x1.5	32x1.5	1	28103190	4.35

**Tee joint male-male-female BSP, nickel-plated**



Certificate No.  
1507073



Description	Thread	Pcs/Pack	Code	Unit Price £
½" F BSP	24x19	1	28103200	3.76
¾" F BSP	24x19	1	28103210	4.84

**Tee joint male-male-male BSP, nickel-plated**



Certificate No.  
1507073



Description	Thread	Pcs/Pack	Code	Unit Price £
½" M BSP	24x19	1	28103240	3.67
¾" M BSP	24x19	1	28103250	4.44
¾" M BSP	32x1.5	1	28103260	5.64

**Tee joint male-male-male, nickel-plated**



Certificate No.  
1507073



Description	Thread	Pcs/Pack	Code	Unit Price £
24x19	24x19	1	28103280	3.45

**Elbow joint female BSP - male with flange, nickel-plated**



Certificate No.  
1507073



Description	Thread	Pcs/Pack	Code	Unit Price £
½" F BSP	24x19	1	28103300	4.35

**Galvanized bracket for flanged elbow**



Description	Pcs/Pack	Code	Unit Price £
Flanged elbow bracket	1	28100822	2.61

**Straight fitting female 24x19 - male 32x1.5**



Certificate No.  
1507073



Description	Pcs/Pack	Code	Unit Price £
24x19 - 32x1.5	1	01306252	6.86

Complete with O-ring and adaptor for female connection

## Price List 2017

### Threaded 24x19 by BSP for F or M Fittings (continued)

#### Straight male fitting 1/2" - 32x1.5



Certificate No.  
1507073



Description	Pcs/Pack	Code	Unit Price £
1/2" M BSP - 32x1.5	1	01306250	6.02

Complete with O-ring on 1/2" BSP male side.

### Monoblocco 24x19 Ball Valves - Top Range

The Top Range of ball valves, when used with a Monoblocco connector allows ball valves to be fitted in line with non-standard pipes like MLCP MultiLayer composite pipe: 12, 14, 16, 17, 18 and 20mm; PERT, PB or PEX pipe in 12, 14, 15, 16, 17, 18, and 20mm.

#### Top butterfly handle 24x19



Description	Pcs/Pack	Code	Unit Price £
24x19 - 24x19	1	6010R518	5.52

#### Top butterfly handle 24x19 female



Description	Pcs/Pack	Code	Unit Price £
1/2" F BSP - 24x19	1	6014R954	5.23
3/4" F BSP - 24x19	1	6014R955	5.60

#### Top butterfly handle 24x19 male



Description	Pcs/Pack	Code	Unit Price £
1/2" M BSP - 24x19	1	6018R954	5.42
3/4" M BSP - 24x19	1	6018R955	6.11

### Pipe Accessories

#### Pipe shears



Description	Pcs/Pack	Code	Unit Price £
Ø 14 - 32	1	28100942	57.03
Spare blade	1	28100943	15.81

#### Pipe shears with guide



Description	Pcs/Pack	Code	Unit Price £
Ø 14 - 26	1	28101808	93.27
Spare blade	1	28101810	38.25

#### Rotary pipe slicers



Description	Pcs/Pack	Code	Unit Price £
Pipe slice Ø 14 - 32	1	28100944	44.35
Spare wheel	1	28100948	17.37
Pipe slice Ø 6 - 75	1	28024081	157.10

**Pipe Accessories** (continued)

**Leakage test plug for MultiLayer Pipe - 1/2" F fitting**



Description	Pcs/Pack	Code	Unit Price £
16 x 2	1	28101846	13.96
20 x 2	1	28101848	14.25

Complete with 1/2" F Fitting for air release valve (provided standard) or pressure gauge (optional).

**Flarer and calibrator for MultiLayer pipe**



Description	Pcs/Pack	Code	Unit Price £
Ø 16	1	U9280001	41.56
Ø 20	1	U9280002	42.75

For preparing the cut end of pipe prior to insertion of fitting.

## Price List 2017

### Underfloor Heating Accessories



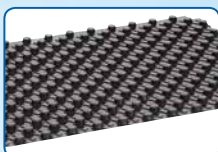
#### Edge Insulation Strip - Insulating Perimeter Strip

Designed to provide an expansion and insulation layer between the wall and screed floor layer. Available in two sizes with optional overlap and adhesive strip.



#### Clip Rail

A range of mounting rails to cater for pipes from 16mm to 20mm, with options of self-adhesive tape or dual barb for secure fixing during Underfloor Heating installation.



#### Castellated Panel

Designed as a simple alternative to clip rails or staples as a method for holding pipe in place. The panels are non-insulated and are designed to lay on top of the insulation. The panels allow easy installation of Underfloor Heating pipework.



#### Pipe Decoiler

Three types of pipe dispensers available, Low Roll, High Roll and Low Roll with telescopic arms. Designed to allow for pipe to be uncoiled consistently and easily to aid installation.



#### Pipe Bend Supports

Used to protect and support pipe between the manifold and where it enters the floor. An optional fixing lug available for smaller size pipe.



#### Tacker Gun

Manual stapling tool designed to allow quick and continuous pipe fixing to insulation layer. For use with Emmeti tacker staples.



#### Tacker Staples

A range of staples designed for use with our Tacker gun. Available in three lengths and as single or double hooked staples. Features new clip removal window.



#### Manual Clips

A range of clips for manual fixing pipe sizes from 16mm to 20mm OD.



#### Straddle Clips

For use on insulation panels with raised bosses to retain and guide pipe, by bridging between bosses. Can also be used to bridge between insulation sheets to anchor them in place.

## Underfloor Heating Accessories



### Manual Twist Pipe Clip

Manual Twist Pipe clip, for pipe 16mm-18mm, designed to be hand threaded into insulation to anchor the pipe.



### Spreader (Heat Emission) Plates

Made from 0.5mm thick brushed aluminium sheet, emission plates are designed to mount the Underfloor Heating pipework under suspended timber or battened floors or in conjunction with castellated panels to provide even heat dissipation.



### Closing Bend for Spreader Plates

For use with spreader plates. Designed to allow a closed bend at the end of each loop.



### Floor Insulation Panel

A range of floor insulation panels for use with Emmeti Underfloor Heating pipe, including expanded polystyrene (EPS) and elastic expanded polystyrene (EPS-T).



### Dry Installation Systems

Designed for systems where a low overall height is required. Most commonly fitted on existing floors and refurbishments.



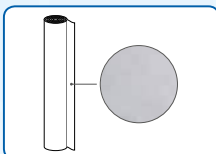
### Galvanised Steel Plate

Designed for use with Dry Installation Systems to provide load bearing capability



### Polyethylene sheet (in roll)

Single fold sheet width 2 x 1m, roll of 50m, in polyethylene, thickness 0.2mm.



### Geotextile sheet (in roll)

Permeable membrane, non woven in polypropylene. Thickness 4mm. Density: 500 gr/m<sup>2</sup>.

## Price List 2017

### Edge Insulation Strip - Insulating Perimeter Strip

#### Scored Edge Strip

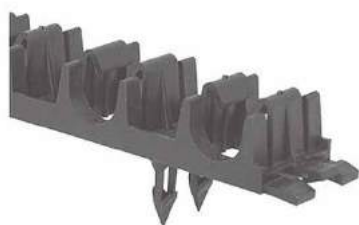


Description	Pack	Code	Price per M
Edge Strip 150mm	25m roll	U9282010	0.71
Edge Strip with Overlap 150mm	25m roll	U9282020	0.80
Edge Strip c/w Overlap, adhesive 150mm	25m roll	U9282030	0.87
Edge Strip 130mm	25m roll	U9282040	0.64
Edge Strip with Overlap, 130mm	25m roll	U9282050	0.77
Edge Strip c/w Overlap, adhesive 130mm	25m roll	U9282060	0.86

Available in 2 widths 150mm and 130mm, both are 8mm thick in 25m rolls, three variants: Scored Edge Strip; Scored Edge Strip with Overlap (overlap creates a barrier between floor insulation and edging strip); Scored Edge Strip with adhesive tape (3cm wide) for easy application to the wall.

### Clip Rail

#### Clip Rail for pipe 16mm to 20mm

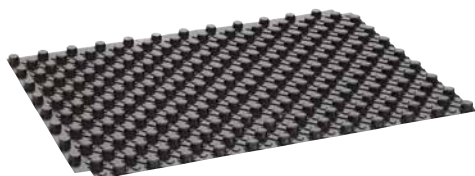


Description	Unit Length	Pcs/Pack	Code	Unit Price £
Clip Rail without adhesive	1m	1 Rail	U9282400	2.17
Clip Rail with adhesive	1m	1 Rail	U9282410	2.54
Clip Rail with double barb	1m	1 Rail	U9282420	2.65

Three types of mounting rail to cater for pipes from 16mm to 20mm: Clip Rail without self adhesive tape, Clip rail with adhesive and Clip rail with double barb. All 1 metre in length and can be interconnected.

### Castellated Panel

#### Castellated Panel



Description	Pcs/Pack	Code	Unit Price £
1250 x 850mm no adhesive layer	10.56m <sup>2</sup>	28134260	132.20
1250 x 850mm with adhesive layer	10.56m <sup>2</sup>	28134262	191.00

The panels are non-insulated and are designed to be laid on top of the insulation. The panels allow easy installation of Underfloor Heating pipework. A pack contains 11 panels.

### Pipe Decoiler

#### Pipe Decoiler



Description	Pcs/Pack	Code	Unit Price £
Low Roll Decoiler	1	U9281810	337.60
Low Roll Decoiler with telescopic arms	1	U9281820	357.10
High Roll Decoiler	1	U9281830	337.60

These pipe decoilers allow pipe rolls to be uncoiled consistently and easily to aid installation.



**Pipe Bend Supports**

Pipe bend supports



Description	Pcs/Pack	Code	Unit Price £
Bend Support 10-12mm with fixing lug	1	U9282500	1.09
Bend Support 14-18mm	1	U9282510	1.02
Bend Support 20-22mm	1	U9282520	1.31
Bend Support 25mm	1	U9282530	1.60
Bend Support 32-34mm	1	U9282540	3.98

Used to protect and support the pipe between the manifold and where it enters the floor, will prevent the pipe from excessive bending. Smaller size includes a fixing lug.

**Tacker Gun**

Tacker gun for 40mm – 60mm pipe staples



Description	Pcs/Pack	Code	Unit Price £
Tacker Gun	1	U9282320	£282.10

This manual stapling tool is designed to allow quick and continuous pipe fixing to insulation layer. It is recommended that you use the Emmeti tacker staples, shown below with this tacker gun. Now features a clip removal window in case of the clipping mechanism becoming blocked during installation.

**Tacker Staples**

Tacker staples for 16mm - 20mm pipe



Description	Pcs/Pack	Code	Unit Price £
Single Hook 40mm	300	U9282100	0.05
Double Hook 40mm	300	U9282110	0.05
Double Hook 50mm	250	U9282120	0.06
Single Hook 57mm	300	U9282130	0.06

A range of staples designed for use with our tacker gun. Available in three lengths and as single or double hooked staples.

**Manual Staples**

Manual Clips for 15mm – 18mm pipe



Description	Pcs/Pack	Code	Unit Price £
Manual Clips 50mm (PP)	200	U9282200	0.04
Manual Clips 66mm (PP)	200	U9282220	0.05

Enables manual installation of pipe to the insulating layer. Material is Polypropylene (PP).

## Price List 2017

### Straddle Clips

#### Straddle clips



Description	Pcs/Pack	Code	Unit Price £
Straddle Clip 90 x 28mm	100	U9282260	0.10

For use on insulation panels to retain and guide pipe, by bridging between bosses. Can also be used to bridge between insulation sheets to anchor them in place.

### Manual Twist Pipe Clips

#### Twist Pipe Clips for 16mm – 18mm pipe



Description	Pcs/Pack	Code	Unit Price £
Manual Twist Pipe Clip for 16mm-18mm	50	U9282240	0.19

Used to fix floor heating pipes to the insulating layer, designed to be hand threaded into insulation to the pipe.

### Spreader (Heat Emission) Plates

#### Spreader (heat emission) aluminium plates



Description	Mts/Pack	Code	Unit Price £
Double Channel (2 way) without cuts 390mm x 1m x 0.5mm x 200mm ctrs	40	U9285450	10.85
Double Channel (2 way) cuts 390mm x 1m x 0.5mm x 200mm ctrs	40	U9285460	11.58
Single Channel (1 way) without cuts 195mm x 1m x 0.5mm	50	U9285470	7.24
Single Channel (1 way) cuts 195mm x 1m x 0.5mm	40	U9285480	7.24

To suspend Underfloor Heating pipe between joists or beneath wooden flooring  
Can also be used with castellated panels to give even dissipation of heat.  
Available as single or double channels with 200mm centres.  
Suitable for 16mm pipe.

### Closing Bend for Spreader Plates

#### Closing Bend for Spreader Plates



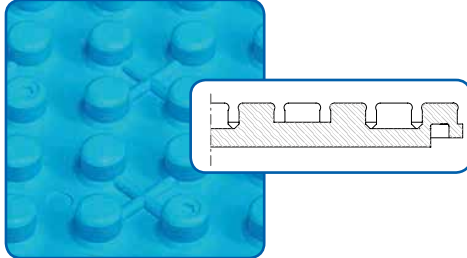
Description	Pcs/Pack	Code	Unit Price £
Closing bend for Spreader Plate 400mm x 150 x 200mm X16 dia Pipe	10	U9285510	2.54

For use with spreader plates. Designed to allow a closed bend at the end of each loop. Suitable for 16mm pipe, at 200mm centres. Material, expanded polystyrene.

**Floor Insulation Panels**

These are not weight bearing surfaces. Please ensure that there is sufficient mechanical strength in the floor construction. For sizing, OH means overall height and TI is thickness of insulation element of the panel.

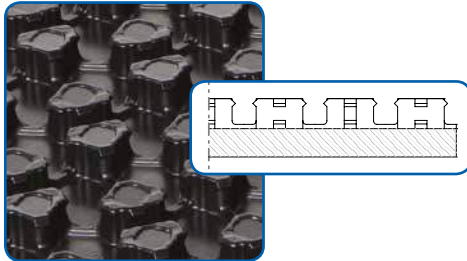
**Standard floor insulating panel**



Description OH TI	Density	Price £ m <sup>2</sup>	Pack m <sup>2</sup>	Code	Pack Price £
1100 x 600 x 32 / 10	40 kg/m <sup>3</sup>	16.83	14.52	28130079	244.30
1100 x 600 x 48 / 20	30 kg/m <sup>3</sup>	17.85	7.92	28134060	141.40
1100 x 600 x 63 / 30	30 kg/m <sup>3</sup>	20.65	6.6	28134050	136.30
1100 x 600 x 78 / H40	30 kg/m <sup>3</sup>	26.78	5.28	28134062	141.40
1100 x 600 x 78 / 50	30 kg/m <sup>3</sup>	31.97	4.62	28130093	147.70
1100 x 600 x 88 / H60	30 kg/m <sup>3</sup>	37.47	3.96	28134064	148.40

Blue panel in expanded polystyrene (EPS), with castellated surface bosses and interlocking grooves on overlapping edges, clad in a 0.16mm film of rigid polystyrene. Pipe spacing 50mm, for 16mm-17mm pipe. CE EN 13163.

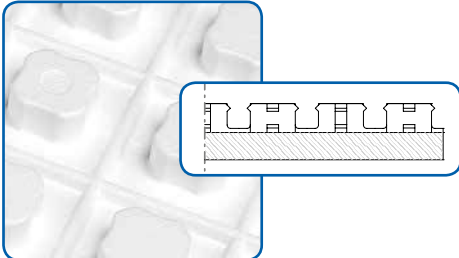
**Standard Combi floor insulating panel**



Description OH TI	Density	Price £ m <sup>2</sup>	Pack m <sup>2</sup>	Code	Pack Price £
1200 x 800 x 32 / H10	30 kg/m <sup>3</sup>	17.54	18.24	28134075	320.00
1200 x 800 x 42 / H20	25 kg/m <sup>3</sup>	19.93	13.44	28134077	267.80
1200 x 800 x 52 / H30	25 kg/m <sup>3</sup>	23.13	9.6	28134079	222.00

Black panel in expanded polystyrene (EPS), with castellated surface bosses and interlocking grooves on overlapping edges, Clad in a 0.8mm film of rigid polystyrene. Pipe spacing 50mm, for 16-17mm pipe. CE EN 13163.

**Classic floor insulating panel without film**

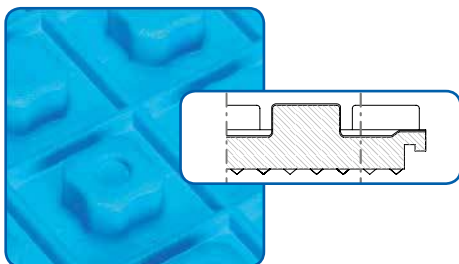


Description OH TI	Density	Price £ m <sup>2</sup>	Pack m <sup>2</sup>	Code	Pack Price £
1200 x 750 x 50 / 20	25 kg/m <sup>3</sup>	11.28	10.8	28130097	121.80

White panel in polystyrene (EPS), with castellated surface bosses and tongue-and-groove edges, no film, pipe spacing: 75mm, for 16-17-20mm pipe. CE EN 13163.

\* Available on request only: 40 days lead time.

**Classic floor insulating panel with polystyrene film (0.16mm thickness)**

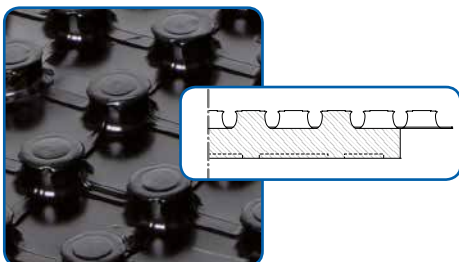


Description OH TI	Density	Price £ m <sup>2</sup>	Pack m <sup>2</sup>	Code	Pack Price £
1200 x 750 x 65 / 30	30 kg/m <sup>3</sup>	22.12	9	28130099	199.10
1200 x 750 x 65 / 30	25 kg/m <sup>3</sup>	20.38	9	28134024	183.40

Blue panel in polystyrene (EPS), with castellated surface bosses and tongue-and-groove edges, with polystyrene 0.16mm film, pipe spacing: 75mm, for 16-17-20mm pipe. CE EN 13163.

Available on request only: 40 days lead time.

**Step Combi floor sound-insulating panel**



Description OH TI	Price £ m <sup>2</sup>	Pack m <sup>2</sup>	Code	Pack Price £
1400 x 800 x 51 / 30	23.78	6.72	28134098	159.80

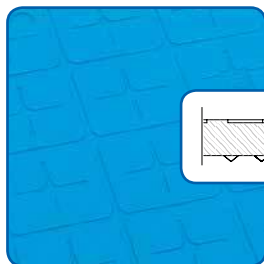
Black panel in elastic expanded polystyrene (EPS-T), thermal and acoustic insulation (to 26dB under EN12354-2), with castellated surface bosses and interlocking knobs on overlapping edges, clad in a moulded 0.6mm film of rigid polystyrene. Pipe spacing 50mm, for 16mm pipe. CE EN 13163.

Available on request only: 40 days lead time.

## Price List 2017

### Floor Insulation Panels (continued)

#### Plan floor insulating panel (not castellated)

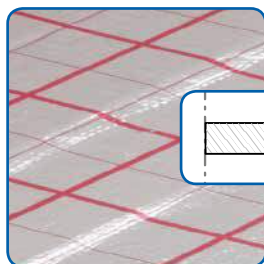


Description	OH	TI	Density	Price £ m <sup>2</sup>	Pack m <sup>2</sup>	Code	Pack Price £
1100 x 600 x 30 / 30			30 kg/m <sup>3</sup>	18.69	10.56	28130072	197.40

Blue panel in polystyrene (EPS) for thermal insulation, with surface marks for laying pipes and perimeter slots (not castellated). Clad in a 0.16mm film of rigid polystyrene. 50mm pipe spacing marked. CE EN 13163.

Available on request only: 40 days lead time.

#### Floor insulating panel in a roll (not castellated)



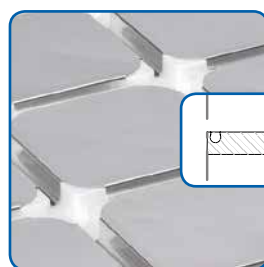
Description	OH	TI	Density	Price £ m <sup>2</sup>	Pack m <sup>2</sup>	Code	Pack Price £
10000 x 1000 x 30 / 30			25 kg/m <sup>3</sup>	20.47	10	28134250	204.70
10000 x 1000 x 40 / 40(*)			25 kg/m <sup>3</sup>	23.28	10	28134252	232.80
10000 x 1000 x 50 / 50(*)			25 kg/m <sup>3</sup>	26.92	10	28134254	269.20

Supplied as a 10 metre roll, 1 metre wide. Made of moulded expanded polystyrene (EPS) for thermal insulation, with an upper layer of aluminium / HDPE 0.16mm film and self-adhesive edge. Marked with red pipe guide lines at 50mm intervals.

(\*) Available on request only: 40 days lead time.

### Dry Installation Systems

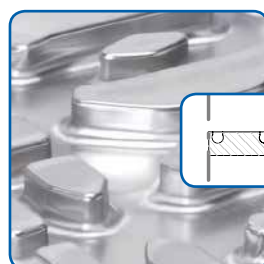
#### Dry Floor insulating panel



Description	OH	TI	Price £ m <sup>2</sup>	Pack m <sup>2</sup>	Code	Pack Price £
1200 x 600 x 28 / 10			51.42	11.52	28134100	592.40

Silver coloured expanded polystyrene panel EPS 200, with dovetail joints on the 4 sides and an upper aluminium foil layer 0.3mm. Pipe centres 150mm, for 17mm pipe. For straight runs only. CE EN 13163.

#### Dry Floor insulating panel header



Description	OH	TI	Price £ m <sup>2</sup>	Pack m <sup>2</sup>	Code	Pack Price £
600 x 300 x 28 / 10			46.77	5.76	28134104	269.40

Silver coloured expanded polystyrene panel EPS 200, with dovetail joints on the 4 sides and upper rigid polystyrene coating 0.3mm (it doesn't have an aluminium layer). Designed to allow a closed bend at the end of each loop. For 17mm pipe. CE EN 13163.

### Galvanised Steel Plate

#### Galvanised steel plate, thickness 1 mm



Description	Pack m <sup>2</sup>	Code	Pack Price £
600 x 600 x 1 (*)	3.6	28134108	156.40
600 x 300 x 1 (*)	3.6	28134112	156.40
600 x 600 x 1 (**)	3.6	28134110	208.00
600 x 300 x 1 (**)	3.6	28134114	208.00

(\*) Without adhesive side - (\*\*) With adhesive side.

**Polyethylene Sheet (in roll)**

Polyethylene sheet (in roll)

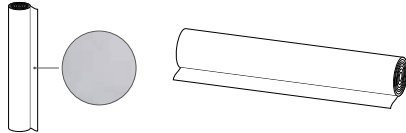


Description	Pack m <sup>2</sup>	Code	Pack Price £
2 x 50m	100	28130850	274.50

Single fold sheet width 2 x 1m, roll of 50m, in polyethylene, thickness 0.2mm.

**Geotextile Sheet (in roll)**

Geotextile sheet (in roll)



Description	m <sup>2</sup>	Code	Metre Price £
2 x 25m	50	28130048	4.18

Permeable membrane, non woven in polypropylene. Thickness 4mm. Density: 500 gr/m<sup>2</sup>.

## Price List 2017

### Zone Controls



#### EWC Wiring Centres

A range of electrical wiring centres for Underfloor Heating and Wall Hung Radiator manifold systems. EWC-1 unit is available in 8 ways, 230V or 24V and includes circuit indicators, on/off switch and boiler/pump terminals. EWC-2 unit is available in 8 and 12 ways and 230V with pump/boiler terminals and system operational LED. The new EWC-4 is a 4 way wiring centre designed for smaller systems, complete with pump/boiler connections. All wiring centres include time switch terminals to allow central time control of multiple zones.



#### Digital Thermostats

A range of 230V and 24V digital thermostats for use in heating systems, including Simple Night SetBack (NSB), programmable and touchscreen. Features include, large, clear LCD screen, frost protection, temperature limiting and 3m remote sensor as standard. A 10k remote sensor in casing is now available. CS-17 Touchscreen programmable thermostat available mid-2017.



#### Programmable Digital Timeswitches

A range of timeswitches for use with all heating and hot water systems. 3 on/off periods per day and split programming for days of the week if required. 3 models available: CS-11 Single Channel Timeswitch, TSTS-2 Channel Touchscreen Timeswitch and TSTS-3 Channel Touchscreen Timeswitch.



#### Dial Thermostats

A range of electronic and electromechanical wall mounted thermostats. Includes simple on/off contact thermostats as well as electronic night set back dial and tamper-proof thermostats. Electronic versions are suitable for use with remote sensors for bathroom applications.



#### Remote Sensors

A range of remote sensors suitable for use with 230V and 24V electronic thermostats. Choice of 1.5m lead sensors designed for concealed applications, or wall mounted remote sensor. Suitable for use in bathrooms: no adjustment and extra low voltage. Simple to install, connects directly to thermostat terminals.



#### Wireless Controls

Emmeti wireless heating control systems offer a solution for UFH or radiator zone control. The range of products including wiring centres, sensors, programmable and dial operated thermostats. The system is suitable for domestic or commercial applications.

Please note that the range of wireless controls included in this pricelist are not compatible with the range in our previous price catalogues (2011 and prior). To distinguish between the two ranges the new controls are prefixed with 'N'.



#### Weather Compensating Controls

A range of weather compensating components developed to be used with our Firstbox, M3V-HE Control Group, FCU-HE Floor Control Unit, FMU2 Floor Mixing Unit and our TM3 Control Group.

Includes RCE weather compensating controller, electronic actuators, sensors and valves.



**EWC Wiring Centres**

**EWC-1 hard wired wiring centres with on-off switch**



Description	Pcs/Pack	Code	Unit Price £
230V 8-way wiring centre with on-off switch	1	U9360010	144.60
24V 8-way wiring centre with on-off switch	1	U9360020	197.80

The EWC-1 wiring centre allows central connection of all system electrical components (230 or 24V) including:

- Up to 8 room thermostats
- Manifold circulating pump
- Central timeswitch
- Electro-thermic actuators (up to 5 per channel)
- Boiler signal

LED indication for each circuit, pump and boiler. On/off switch for safe isolation. Earth continuity terminals included. 24V version includes a 50VA transformer with the capacity to connect up to 15 x 3W actuators. For wiring and mounting details please see our website [www.emmeti.co.uk](http://www.emmeti.co.uk).

**EWC-2 hard wired wiring centres**



Description	Pcs/Pack	Code	Unit Price £
230V 8-way wiring centre	1	U9370001	110.40
230V 12-way wiring centre	1	U9370002	175.00

The EWC-2 wiring centre is a more commercially priced option available in 8 or 12 ways. Allows central connection of all system electrical components (230V only) including:

- Up to 8 or 12 room thermostats
- Manifold circulating pump
- Central timeswitch
- Electro-thermic actuators (up to 5 per channel)
- Boiler signal

LED indication for pump/boiler combined. Earth continuity terminals included. For wiring and mounting details please see our website [www.emmeti.co.uk](http://www.emmeti.co.uk).

**EWC-4 hard wired wiring centres**



Description	Pcs/Pack	Code	Unit Price £
230V 4 way wiring centre	1	U9380001	74.92

The EWC-4 is a compact, 4 way wiring centre designed for small UFH and WHR systems. Allows central connection of all system components and includes:

- Connection for up to 4 room thermostats
- Central timeswitch terminals
- Manifold circulating pump terminals
- Boiler volt free terminals
- Electrothermic actuator connection (up to 3 per channel)
- LED indication for boiler/pump operation.

## Price List 2017

### CS-11 LCD Digital Thermostats and Timeswitches

#### Digital Thermostats (Programmable and Non-Programmable)



Description	Pcs/Pack	Code	Unit Price £
230V Programmable Stat	1	U9310047	53.64
24V Programmable Stat	1	U9310140	53.64
230V Simple NSB Stat	1	U9310090	53.33
24V Simple NSB Stat	1	U9310190	53.33

The CS-11 range has 4 options, simple night setback version (230V & 24V) and programmable (230V & 24V) for a wide range of application including Underfloor Heating and Wall Hung Radiator systems.

Simple nightset back version has volt free contacts to allow a timed feed as well as a night setback feed for a temperature setback function.

Programmable version has 230V 16A switching capabilities for timed switching of system components.

All 4 options are low profile, designed to be fitted to a 35mm back box and come complete with 3m remote sensor, temperature limiting option and frost protection.

#### COMING SOON: CS-17 Zona Touch - Touchscreen Programmable Thermostat



Description	Pcs/Pack	Code	Unit Price £
230V Touchscreen Programmable Stat	1	U9320001	POA



A touchscreen programmable thermostat for Underfloor and Wall Hung Radiator systems. Features include touch screen operation, remote sensing for air and floor use, temperature limiting function, frost protection and optimum start.

AVAILABLE MID 2017

#### TST-11 LCD touchscreen programmable thermostat



Description	Pcs/Pack	Code	Unit Price £
230V Touchscreen Stat	1	U9310010	91.11
24V Touchscreen Stat	1	U9310110	91.11

Electronic digital touchscreen programmable thermostat with on-off contacts for 230V AC operation. Features include, low profile fascia, temperature limiting function, frost protection, remote sensing and floor protection with floor sensor provided and simple to use touchscreen display. Programming allows 6 time/temperature events per day. Designed to be fitted to a 35mm single gang back box. 230V or 24V versions available.

#### CS-11 LCD Digital Timeswitch



Description	Pcs/Pack	Code	Unit Price £
230V Timeswitch	1	U9310070	53.33
24V Timeswitch	1	U9310170	53.33

Electronic digital single channel timeswitch enables the time control of Underfloor or Wall Hung Radiator circuits. Programming allows 6 on/off events per day as 7 day, 5 + 2, 6 + 1 and 24 hour programmes. Designed to be fitted to a 35mm single gang back box. 230V or 24V versions available.

For installation requirements and wiring connections, please see our website [www.emmeti.co.uk](http://www.emmeti.co.uk).

**CS-11 LCD Digital Thermostats and Timeswitches**

**TSTS -17 Touchscreen Timeswitches**



Description	Pcs/Pack	Code	Unit Price £
230V Touchscreen Timeswitch (2 Channel)	1	U9310072	100.30
230V Touchscreen Timeswitch (3 Channel)	1	U9310073	109.40



Two and three Channel touchscreen programmable timeswitches for use in multi-system applications. ON/OFF switching for 2 or 3 channels respectively.

2 channel version has the option to switch CH1 & CH2 or DHW & Heating.

3 channel version has the option to switch CH1, CH2 & CH3 or Heating 1, Heating 2 & DHW.

AVAILABLE SPRING 2017

**Electromechanical Thermostats**

**Termec electromechanical dial operated room thermostat**



Description	Pcs/Pack	Code	Unit Price £
230V / 24V 3 contact	1	02001012	16.49
230V 3 contact with LED	1	02001014	17.79
230V 3 contact with LED & ind. switch*	1	02001016	22.17
230V 3 contact with LED & on-off switch	1	02001018	21.45
230V 2 contact with LED & heating/cooling/off switch	1	02001020	22.40

Features include: LED calling for heat light, temperature range 5°C to 30°C, temperature differential 1.4°C, on-off and heating/cooling switch options.

\*02001016 has an on-off switch which can be wired independently of the thermostat contacts.

**Electromechanical dial operated room thermostat**



Description	Pcs/Pack	Code	Unit Price £
230V / 24V 3 contact	1	U9132105	28.34
230V 3 contact with LED	1	U9132110	20.17
230V 3 contact with LED & on-off switch	1	U9132120	26.24
230V 3 contact with LED & heating / cooling switch	1	U9132135	27.48

Features include: LED calling for heat light, on-off and heating-cooling switch options. The U9132105 model may also be used for 24V applications.

**Electronic Thermostats**

**Electronic dial operated room thermostat**



Description	Pcs/Pack	Code	Unit Price £
230V 3 contact with LED and night setback (NSB) operation	1	U9132016	33.46
24V 3 contact with LED and night setback (NSB) operation	1	U9132013	33.46

Electronic dial operated thermostat with changeover contacts available in 230V and 24V versions. LED provides call for heat indicator. U9132016 and U9132013 include variable night setback operation from 2°C to 7°C (default 4.5°C) when used with a suitable timeswitch. Available with remote sensor options overleaf.

## Price List 2017

### Electronic Thermostats (continued)

#### Tamperproof room thermostat



Description	Pcs/Pack	Code	Unit Price £
230V 3 contact with LED and night setback (NSB) operation	1	U9132075	36.14
24V 3 contact with LED and night setback (NSB) operation	1	U9132085	36.14

Electronic thermostat with concealed dial adjustment available in 230V and 24V versions. Both models include variable night setback (NSB) operation from 2°C to 7°C (default 4.5°C) when used with a suitable timeswitch (see pages 94 and 95).

### Remote Sensors

#### Remote sensors, concealed and wall-mounted types



U9132011 / U9250060



Description	Pcs/Pack	Code	Unit Price £
Remote sensor NTC 4.7k without casing, 1.5m length	1	U9132011	11.41
Remote sensor NTC 4.7K without casing, 3m length	1	U9250060	19.45
Remote sensor NTC 4.7k with casing, no lead	1	U9132012	9.50
Remote sensor 10K with casing, no lead	1	U9132023	9.50

Please see below compatibility table for use with Emmeti thermostats.

U9132012 / U9132023

Descripton	Emmeti Sales Code	Suitable for	Emmeti sales code
Remote NTC 4.7k sensor with casing no lead Remote NTC 4.7k sensor without casing 1.5m lead	U9132012 U9132011	Electronic dial room thermostat 24V with LED Electronic dial room thermostat 230V with LED Tamperproof room thermostat 230V Tamperproof room thermostat 24V	U9132013 U9132016 U9132075 U9132085
Remote NTC 10k sensor with casing no lead	U9132023	CS-11, TST-11 and CS-17 thermostat range	U9310090/ U9310190 U9310047/ U9310140 U9310010/ U9310110 U9320001

#### Sensor pocket



Description	Pcs/Pack	Code	Unit Price £
Brass Pocket 6mm dia x 33mm	1	U9132310	9.50

Brass pocket with a 1/2" BSPM thread. For remote sensors U9132011 and U9250060.

## Wireless Controls

Please note that this range of wireless controls is not compatible with the range in our previous price catalogues, 2011 and older, the signalling protocol has changed. To distinguish between the two range the new controls are prefixed with 'N'.

### N CTA W Programmable thermostat



Description	Pcs/Pack	Code	Unit Price £
Wireless Programmable Thermostat	1	02018110	104.00

Battery powered wireless electronic programmable thermostat with push-button programming, and large backlit LCD screen with programme and temperature/optional current time display. The unit can be programmed to give either 24hour/7 day operation with up to four programme periods a day. The front flap gives access to battery compartment and two dial operated temperature settings for day / night operation. Other features include anti-frost function, combined air and floor sensor function and holiday mode. Available with remote sensor options overleaf.

### N TA W Thermostat



Description	Pcs/Pack	Code	Unit Price £
Wireless Dial Thermostat	1	02018112	58.71

Battery powered wireless dial operated electronic thermostat that can operate to control heating or cooling with a simple internal change. The remotely located thermostat will signal the N AR W receivers connected to the 2- or 8-channel wiring centres below. Night set back (NSB) facility is available via the wiring centre. Available with remote sensor option overleaf.

### N ETA W Digital Wireless Thermostat



Description	Pcs/Pack	Code	Unit Price £
Wireless Digital Thermostat	1	U9132155	79.85

Wireless battery operated digital thermostat with blue back-lit LCD display. This unit can operate to control both heating and cooling and has temperature range limitation. The remotely located thermostat will signal the N AR W receivers connected to the 2 or 8-channel wiring centres below. Night set back (NSB) facility is available via the wiring centre. Available with remote sensor option overleaf.

### N AR W Receiving antenna



Description	Pcs/Pack	Code	Unit Price £
Wireless Receiver	1	02018114	129.50

Wireless receiving antenna. Receives signalling from N TA W or N ETA W thermostats remotely located. Complete with 5m of cable for connecting to N MC2 W or N MC8 W wiring centres. One antenna can be used with up to ten wiring centres interconnected by the cables supplied with the wiring centre. They can also be used as repeaters to solve problems of difficult wireless transmission in large buildings. The power supply unit in this section should be used with the antenna when installed as a repeater.

### N R1 W 1-channel wiring centre and receiver



Description	Pcs/Pack	Code	Unit Price £
Wireless Single Channel Receiver	1	U9132165	86.30

A 230V combined single channel wiring centre and receiving antenna. Designed to switch electrothermic heads or circulators up to a maximum rating of 6A. Suitable for a single channel application using any one of our range of wireless thermostats, N TA W, N ETA W or N CTA W.

## Price List 2017

### Wireless Controls (continued)

#### N MC2 W 2-channel wiring centre



Description	Pcs/Pack	Code	Unit Price £
2 Channel Wiring Centre	1	02018118	153.50

230V wiring centre with two independent channels (and auxiliary pump supply relay) which can be assigned to two different wireless thermostat controls (e.g. the N CTA W, N ETA W or N TA W above) for the activation of electrothermic actuators when used with the N AR W receiving antenna above. Can be connected to 8 channel wiring centres below using the 800mm cable supplied. The centre also has the facility for night setback (NSB) operation with a N TA W thermostat. For installation, wiring and commissioning please see our website [www.emmeti.co.uk](http://www.emmeti.co.uk).

#### N MC8 W 8-channel wiring centre



Description	Pcs/Pack	Code	Unit Price £
8 Channel Wiring Centre	1	02018120	239.80

230V wiring centre with eight independent channels (plus auxiliary relay for pump supply) which can be assigned to eight different wireless controls (e.g. the N CTA W, N ETA W or N TA W above) for the activation of electrothermic actuators when used with the NAR W receiving antenna above. Can be connected to other 8 channel centres or a 2 channel centre above using the 800mm cable supplied. The centre also has the facility for night setback (NSB) operation with a N TA W thermostat. For installation, wiring and commissioning please see our website [www.emmeti.co.uk](http://www.emmeti.co.uk).

#### Remote sensors



Description	Pcs/Pack	Code	Unit Price £
Remote sensor SRA-150, NTC 100K without casing 1.5m length cabling	1	28130662	9.78

To replace the internal sensor and provide remote sensing. For N TA W only. For N CTA W and N ETA W see remote sensors on page 96.

#### Power supply unit for N AR W receiving antenna used as a repeater



Description	Pcs/Pack	Code	Unit Price £
Power supply unit	1	U9310060	78.73

Only required when used remote from wiring centres.

Compact electronic power supply unit which can be connected in fixed wiring installations to provide a 12V DC power supply to the receiving antenna. To improve the signalling from wireless thermostats to the wiring centre where greater distance or building construction might reduce signal strength. Input: 230VAC 50Hz Output: 12VDC, 0-30W Dimensions: 175mm h x 45mm w x 25mm d.

For installation, wiring and commissioning please see our website [www.emmeti.co.uk](http://www.emmeti.co.uk).



**Weather Compensating Controls**

**RCE Weather compensating kit for heating and cooling**

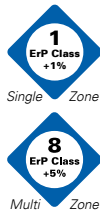


Description	Pcs/Pack	Code	Unit Price £
RCE weather compensator	1	28139070	303.80

The RCE is an electronic temperature controller that has three modes of operation; Weather Compensation, Fixed Point, and Modulating. It can be used for low temperature Underfloor Heating and cooling and high temperature radiator heating.

Includes electronic control unit, remote mounting box, 2 sensors, probe holders and extension connector. The RCE can control 230V or 24V 0-10V mixing actuators.

**Humidistat**



Description	Pcs/Pack	Code	Unit Price £
Programmable Thermo/Humidistat	1	02018090	£261.70

Programmable heating and cooling thermostat with summer/ winter changeover switch and built in humidity sensor. Designed for use with combined heating and cooling systems such as the RCE controller. Can be used to activate a dehumidifier. Battery powered with a large, LCD display.

**Pocket for water sensor**



Description	Pcs/Pack	Code	Unit Price £
1/4" M	1	28153220	41.50

For use where a surface mounting probe is not suitable for sensing water temperature.

**Housing for external temperature sensor**



Description	Pcs/Pack	Code	Unit Price £
External housing sensor	1	28139076	17.44

**Dew sensor**



Description	Pcs/Pack	Code	Unit Price £
Dew sensor	1	28139072	83.25

For use in cooling systems.

**Converter for dew sensor**



Description	Pcs/Pack	Code	Unit Price £
Converter unit	1	28139074	93.84

For use when installed as part of a large multi-dwelling cooling system. The converter will relay a condensation alarm to the centralised mixing station and RCE.

## Price List 2017

### Weather Compensating Controls (continued)

#### Transformer 230/24V 10 VA



Description	Pcs/Pack	Code	Unit Price £
230V/24V transformer	1	28139130	31.47

Please note 10 VA capacity when using with EWC-4, consideration for loading requirements of actuators is needed.

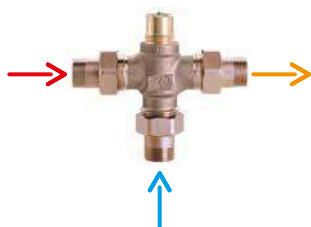
#### 3-point actuator for TM3, M3V Control Groups, FMU2 Floor Mixing Unit, FCU Floor Control Unit and Firstbox



Description	Pcs/Pack	Code	Unit Price £
230V	1	28157210	176.80
24V 0-10V	1	28157220	237.70

Electronic actuator for use with weather compensating kit 28139070.

#### 3-way mixing valve for weather compensating kit



Description	Pipe Union	Pcs/Pack	Code	Unit Price £
Kvs (m <sup>3</sup> /h)	Connection			
DN10 - 1.6	G 3/8" M	1	28130210	137.30
DN15 - 2.5	G 1/2" M	1	28130212	138.50
DN20 - 4	G 1/2" F	1	28130214	167.30
DN25 - 6.3	G 3/4" F	1	28130216	279.20
DN25 - 10	G 1" F	1	28130218	314.10
DN32 - 16	G 1 1/4" F	1	28130220	416.40
DN40 - 25	G 1 1/2" F	1	28130222	495.00

PN 16 class, body in bronze, spindle in steel and O-rings in EPDM. Complete with unions. These valves are intended for use with weather compensating kit 28139070 and actuators 28130206, 28130208 and 28130209 shown below.

#### Actuator for 3 way mixing valve



Description	Pcs/Pack	Code	Unit Price £
Electronic actuator	1	28130206	223.80

24V, 0 - 10V. 200N Force.  
Suitable for above mixing valve 3/8", 1/2" and 3/4" only.

#### 3 point actuator for 3-way mixing valve



Type	Pcs/Pack	Code	Unit Price £
Electronic actuator	1	28130208	243.60

230V, 300N Force. Suitable for above mixing valve 1", 1 1/4" and 1 1/2" only.

#### Actuator for 3 way mixing valve



Description	Pcs/Pack	Code	Unit Price £
Electronic actuator	1	28130209	397.40

24V, 0 - 10V. 300N Force.  
Suitable for above mixing valve 1", 1 1/4" and 1 1/2" only.

**Weather Compensating Controls (continued)**

**Contact thermostat**



Description	Pcs/Pack	Code	Unit Price £
0-60 °C	1	02012038	13.82
30-90°C	1	02012040	13.82

Connect by wrapping the steel spring wire (provided) around the external surface of pipe. Designed for use with weather compensating kit 28139070 where overheat protection is required.

**Thermometer pocket, connection M 1/2"**



Description	Pcs/Pack	Code	Unit Price £
Ø 7 L 50 mm	1	00510682	5.01

## Price List 2017

### Heat Interface Units



#### Heat Interface Units

Emmeti UK's Heat Interface Units (HIU) suit a variety of applications: single or multi-dwelling houses, apartments, industrial and commercial applications and district heating systems. The HIU's are compact in size, adaptable for individual application and have low standby running costs. Wireless and weather compensation controls can be fitted to the system for added control.



#### Smart System Components

A range of components for use with the Heat Interface Units including electronic actuators for ultra-responsive hot water and heating actuation, heat & water meters, a weather compensating controller and pre-piping jigs for site installation.

**Heat Interface Units**

**Indirect Twin HIU**



Description	Pcs/Pack	Code	Unit Price £
Indirect Twin HIU	1	U2000000	£2,840.00

Heat Interface Unit with two plate heat exchangers, to supply instantaneous heat transfer to DHW and CH independently. Includes 12L expansion vessel, circulating pump for heating, thermostatic mixing valve for DHW, filling loop, air vents and temp/pressure gauge. Heat delivery up to 70kW, max primary pressure 10 bar, max secondary pressure 3 bar (heating), min working pressure 2bar (DHW), max working temperature 95°C.

See Smart System Components for control, metering accessories etc.

**Indirect Single HIU**



Description	Pcs/Pack	Code	Unit Price £
Indirect Single HIU	1	U2000001	£2,090.00

Heat Interface Unit with one heat exchanger for instantaneous central heating. Includes 12L expansion vessel, circulating pump for heating, air vents and temp/pressure gauge. Heat delivery up to 70kW, max primary pressure 10 bar, max secondary pressure 3 bar (heating) max working temperature 95°C.

See Smart System Components for control, metering accessories etc.

**Indirect Heating - Direct DHW to Cylinder**



Description	Pcs/Pack	Code	Unit Price £
Indirect Heating - Direct DHW to Cylinder	1	U2000002	£2,447.00

Heat Interface Unit with one heat exchanger for instantaneous heating. Includes take off connections for HW cylinder, 12L expansion vessel, circulating pump for heating, air vents and temp/pressure gauge. Heat delivery up to 60kW, max primary pressure 10 bar, max secondary pressure 3 bar (heating) max working temperature 95°C.

See Smart System Components for control, metering accessories etc.

**Indirect DHW - Direct Heating**



Description	Pcs/Pack	Code	Unit Price £
Indirect DHW - Direct Heating	1	U2000003	£2,143.00

Heat Interface Unit with one heat exchanger for instantaneous DHW. Central heating is achieved directly from the primary district heating system. Includes thermostatic mixing valve for DHW, temp/pressure gauge, heating and hot water control valves. Heat delivery up to 70kW, max primary pressure 10 bar, max secondary pressure 3 bar (heating) min working pressure 2 bar (DHW) max working temperature 95°C.

See Smart System Components for control, metering accessories etc.

## Price List 2017

### Smart Systems Components

#### HIU Hot Water Actuator



Description	Pcs/Pack	Code	Unit Price £
HIU Hot Water Actuator	1	U2000004	£410.00

HIU Hot Water Actuator is a constant flow temperature controller for applications where a constant water temperature is required. Temperature adjustment is made by an easy-to-use joystick and display interface. Complete with remote sensor and sensor pocket.

#### HIU Heating Actuator



Description	Pcs/Pack	Code	Unit Price £
HIU Heating Actuator	1	U2000005	£392.90

The HIU Heating Actuator a constant flow temperature controller for applications where a constant water temperature is required.

Temperature adjustment is made by an easy-to-use joystick and display interface.

#### HIU Weather Compensating Heating Actuator



Description	Pcs/Pack	Code	Unit Price £
HIU Weather Compensating Actuator	1	U2000006	£492.90

The HIU Weather Compensating Heating Actuator is an outdoor sensor based controller with integrated actuator. The regulation is based on outdoor sensor feedback and an adjustable characteristic heating curve. An offset / parallel adjustment of the characteristic heating curve may be activated by an external signal for example night settings.

#### HIU Heat Meter



Description	Pcs/Pack	Code	Unit Price £
HIU Heat Meter	1	U2000007	£532.20

Heat Meters are used to measure the distribution of heat energy in heating control systems. The Heat Meter used in our HIUs has MBUS feedback allowing remote recording of energy usage via Ethernet for billing purposes.

#### JIG for HIU



Description	Pcs/Pack	Code	Unit Price £
Jig For Single Plate HIU	1	U2000008	£175.00
Jig For Twin Plate HIU	1	U2000009	£317.90

A Jig is available for both Single and Twin plate HIUs. The Jig allows first fix pipework to be accurately installed prior to hanging the HIU.

A bypass connection is fitted to facilitate the flushing and pressure testing of the heat network primary pipework.



Smart Systems Components

HIU Heating Actuator



Description	Pcs/Pack	Code	Unit Price £
HIU Water Meter	1	U2000010	£175.00

Water meters are used to measure the water consumption in HIU's with instantaneous DHW production capabilities.

## Price List 2017

### Modulo Compact & Modulo Plus Motorised Ball Valves



#### Modulo Compact complete 230V motorised ball valves

A range of 230V motorised valves available in 2 port zone or 3 port diverter options. Sizes between ½" and 1". Actuator motor torque of 8Nm.



#### Modulo Plus complete 230V motorised ball valves

A range of 230V motorised valves available in 2 port zone or 3 port diverter options. Sizes between 1 ¼" and 2". Actuator motor torque of 28Nm.



#### Separate 230V/24V Actuators

A range of actuators including: actuator for Modulo Compact suitable for valve bodies up to 1" in 230V and 24V versions; actuator for Modulo Plus suitable for valve bodies from 1 ¼" to 2" sizes in 230V version only.



#### Separate Valve Bodies

A range of separate valve bodies suitable for both Modulo Compact and Modulo Plus including: 2-way motorised valve with pipe union connection and tailpiece, 3-way diverter with pipe union connection and tailpiece, 2-way motorised valve female-female thread and 3-way diverter female-female thread.



#### Accessories

Insulating shells for Modulo Compact, Modulo Plus bodies and actuators, sizes are 2 or 3 ways in ½" to 2".

**Modulo Compact Complete 230V Motorised Ball Valves**

These motorised ball valves are available as two port zone valves or three port diverter valves. They are 'motor open' and 'motor close' valves and cannot be used as mid-position or mixing valves.

**IP 55**



If installed as shown in this image the actuator will be protected against limited dust ingress and small jets of water from all direction.

**IP 50**



If installed as shown in these images the actuator will remain protected against limited dust ingress but will have no protection against water ingress. (Not recommended)



**Modulo Compact 230V 2-way motorised ball valve with pipe union connection nut and tailpiece**



Description	Ways	Pcs/Pack	Code	Unit Price £
1/2"	2	1	01425800	157.80
3/4"	2	1	01425802	171.90
1"	2	1	01425804	194.10

**Modulo Compact 230V 2-way motorised ball valve with female - female thread**



Description	Ways	Pcs/Pack	Code	Unit Price £
1/2"	2	1	01425820	151.10
3/4"	2	1	01425822	160.20
1"	2	1	01425824	178.80

**Modulo Compact 230V 3-way diverter with pipe union connection nut and tailpiece**



Description	Ways	Pcs/Pack	Code	Unit Price £
1/2"	3	1	01425806	170.00
3/4"	3	1	01425808	192.90
1"	3	1	01425810	226.60

Cannot be used as a mid-position or mixing valve.

**Modulo Compact 230V 3-way diverter with female - female thread**



Description	Ways	Pcs/Pack	Code	Unit Price £
1/2"	3	1	01425826	160.70
3/4"	3	1	01425828	175.50
1"	3	1	01425830	198.10

Cannot be used as a mid-position or mixing valve.

## Price List 2017

### Modulo Plus Complete 230V Motorised Ball Valves

These motorised ball valves are available as two port zone valves or three port diverter valves. They are 'motor open' and 'motor close' valves and cannot be used as mid-position or mixing valves.

#### IP 55



If installed as shown in this image the actuator will be protected against limited dust ingress and small jets of water from all direction.

#### IP 50



If installed as shown in these images the actuator will remain protected against limited dust ingress but will have no protection against water ingress. (Not recommended)



#### Modulo Plus 230V 2-way motorised ball valve with pipe union connection nut and tailpiece



Description	Ways	Pcs/Pack	Code	Unit Price £
1¼"	2	1	01425700	323.80
1½"	2	1	01425702	395.90
2"	2	1	01425704	500.50

#### Modulo Plus 230V 3-way diverter with pipe union connection nut and tailpiece



Description	Ways	Pcs/Pack	Code	Unit Price £
1¼"	3	1	01425710	372.10
1½"	3	1	01425712	477.80
2"	3	1	01425714	643.10

Cannot be used as a mid-position or mixing valve.

#### Modulo Plus 230V 2-way motorised ball valve with female - female thread



Description	Ways	Pcs/Pack	Code	Unit Price £
1¼"	2	1	01425730	295.50
1½"	2	1	01425732	339.20
2"	2	1	01425734	398.10

#### Modulo Plus 230V 3-way diverter with female - female thread



Description	Ways	Pcs/Pack	Code	Unit Price £
1¼"	3	1	01425740	326.90
1½"	3	1	01425742	389.90
2"	3	1	01425744	480.10

Cannot be used as a mid-position or mixing valve.

**Separate 230V / 24V Actuators**

**Actuator for Modulo Compact**



Description	Pcs/Pack	Code	Unit Price £
2-way - 230V, 8 Nm	1	01425860	112.40
3-way - 230V, 8 Nm	1	01425862	112.40
4-way - 230V, 8 Nm	1	01425864	112.60
2-way - 24V, 8 Nm	1	01425866	115.80
3-way - 24V, 8 Nm	1	01425868	115.80
4-way - 24V, 8 Nm	1	01425870	115.90

Suitable for valve bodies up to 1".

**Actuator for Modulo Plus**



Description	Pcs/Pack	Code	Unit Price £
2-way - 230V, 28 Nm	1	01420170	214.90
3-way - 230V, 28 Nm	1	01420172	214.70

**Separate Valve Bodies**

**Body for Modulo Compact and Modulo Plus 2-way motorised ball valves with pipe union connection nut and tailpiece**



Description	Ways	Pcs/Pack	Code	Unit Price £
½"	2	1	90021400	33.36
¾"	2	1	90021410	44.43
1"	2	1	90021420	62.23
1¼"	2	1	90021430	84.47
1½"	2	1	90021440	141.10
2"	2	1	90021450	223.50

½" - 1" suitable for Modulo Compact.

1¼" - 2" suitable for Modulo Plus.

**Body for Modulo Compact and Modulo Plus 3-way diverter with pipe union connection nut and tailpiece**



Description	Ways	Pcs/Pack	Code	Unit Price £
½"	3	1	90021320	42.98
¾"	3	1	90021460	61.31
1"	3	1	90021470	87.76
1¼"	3	1	90021480	122.50
1½"	3	1	90021490	204.40
2"	3	1	90021500	334.40

½" - 1" suitable for Modulo Compact.

1¼" - 2" suitable for Modulo Plus.

**Body for Modulo Compact and Modulo Plus 2-way motorised ball valves with female - female thread**



Description	Ways	Pcs/Pack	Code	Unit Price £
½"	2	1	90021200	26.31
¾"	2	1	90021210	33.46
1"	2	1	90021220	48.08
1¼"	2	1	90021230	60.28
1½"	2	1	90021240	94.51
2"	2	1	90021250	133.00

½" - 1" suitable for Modulo Compact.

1¼" - 2" suitable for Modulo Plus.

## Price List 2017

### Separate Valve Bodies (Continued)

#### Body for Modulo Compact and Modulo Plus 3-way diverter with female - female thread



Description	Ways	Pcs/Pack	Code	Unit Price £
½"	3	1	90021310	33.87
¾"	3	1	90021260	45.45
1"	3	1	90021270	63.32
1¼"	3	1	90021280	84.99
1½"	3	1	90021290	133.70
2"	3	1	90021300	204.50

½" - 1" suitable for Modulo Compact.

1¼" - 2" suitable for Modulo Plus.

### Accessories

#### Insulating shells for Modulo Compact and Modulo Plus bodies and actuator



Description	Pcs/Pack	Code	Unit Price £
For ball valve 2 ways ½"	1	90045150	5.63
For ball valve 2 ways ¾"	1	90045160	7.85
For ball valve 2 ways 1"	1	90045170	11.21
For ball valve 3 ways ½"	1	90045210	7.85
For ball valve 3 ways ¾"	1	90045220	9.13
For ball valve 3 ways 1"	1	90045230	13.05
For ball valve 2 ways 1¼"	1	90045180	12.67
For ball valve 2 ways 1½"	1	90045190	14.32
For ball valve 2 ways 2"	1	90045200	15.79
For ball valve 3 ways 1¼"	1	90045240	13.99
For ball valve 3 ways 1½"	1	90045250	18.72
For ball valve 3 ways 2"	1	90045260	22.69
For Modulo Compact motorised valve actuator	1	90045270	13.80

½" - 1" suitable for Modulo Compact Valves.

1¼" - 2" suitable for Modulo Plus Valves.



## Heating Accessories



### Sealed System Components

A range of components required for sealed heating systems including 6-300 litre expansion vessels, filling kits and pressure relief valve.



### In-Line Deaerators

Features include bi-directional flow, higher pressure resistance, 3 stage filter and improved venting mechanism.



### Sicura Pressure Relief Valves

A range of safety pressure relief valves including 1/2" and 3/4" male and female.



### Manual & Automatic Air Vents

A range of automatic air vents available in sizes 3/8" to 3/4" with manual venting and bubble breakers available as an option. A selection of manual bleed valves are available in sizes 3/8" to 1/2".



### Deck Plates

Single white rosettes, for placing around the pipe at the point at which it exits a floor, wall or ceiling.



### Strainers

Y-type strainer female brass, sandblasted, 40 mesh stainless steel, FBSP thread. Sizes from 1/2" to 2 1/2".



### Temperature & Pressure Gauges

A range of temperature and pressure gauges including capillary thermometer Ø 52, pressure gauge with radial/ axial connection and casing in ABS, combined temperature and pressure gauges and capillary combined temperature and pressure gauge.



### Temperature Gauge Pockets

Temperature gauge pockets, connection 1/2" M BSP.  
Available sizes Ø7, Ø9, Ø10 and Ø15, lengths from 50mm to 110mm.



### Boguard Electronic Corrosion Protection

An electronic anode designed to offer impressed current cathodic corrosion protection of lined hot water cylinders up to 5000 litres. Available in 3 versions 150 - 500L, 750 - 1000L and 1500 - 5000L.

## Price List 2017

### Sealed System Components

#### Sealed System Kit



**WRAS**

Certificate No.  
1606307

Description	Pcs/Pack	Code	Unit Price £
With expansion vessel bracket	1	01306406	76.56
Without expansion vessel bracket	1	01306408	61.79

Kit consists of: 15mm compression filling loop, c/w with a double check valve with integrated mini ball valve, 40cm aluminium braided EPDM hose and second mini ball valve; 3 bar safety valve; 0-4 bar pressure gauge and 4-way connector.

#### Sealed heating system kit expansion vessels without support bracket



Description	Pcs/Pack	Code	Unit Price £
6	1	00103006	37.04
8	1	00103008	37.04
10	1	00103010	41.67
12	1	00103012	42.15
18	1	00103018	46.31
24	1	00103024	53.74

Vessels up to 24 litres should be used with the sealed system kit 01306406, shown above. The bracket provided in the kit will support the vessel and control kit. All models made according to 97/23/EC Directive.

#### Sealed system kit expansion vessels



Description	Pcs/Pack	Code	Unit Price £
35 (no support)	1	00102400	92.17
50 (no support)	1	00102405	112.10
35 with base support ring	1	00102500	108.90
50 with base support ring	1	00102505	136.60

35 litre 00102500 and 50 litre 00102505 vessels are provided with an integrated base support ring, floor standing, to carry the weight of a full vessel. Vessel bracket 90023900 and sealed system kit 01306406 are not suitable for supporting 35 and 50 litre vessels. These units will need to be supported on site by other means, or purchase supporting ring version. All models made according to 97/23/EC Directive.

#### Sealed system kit expansion vessels with integrated support



Description	Pcs/Pack	Code	Unit Price £
80	1	00102410	190.80
100	1	00102415	222.30
150	1	00102420	314.90
200	1	00102425	412.20
250	1	00102430	521.00
300	1	00102435	611.30

All models made according to 97/23/EC Directive.

**Sealed System Components** (continued)

**Filling loop**



Description	Pcs/Pack	Code	Unit Price £
15mm	1	90023880	40.62

15mm copper compression filling loop, c/w double check valve, with integrated mini ball valve, 40cm aluminium braided EPDM hose and second mini ball valve.

**Pressure gauge with axial connection**



Description	Pressure	Pcs/Pack	Code	Unit Price £
¼" x 50mm	4 bar	1	00616020	5.82

**Heating vessel bracket**



Description	Pcs/Pack	Code	Unit Price £
Heating vessel bracket	1	90023900	17.35

Supplied with screw and rawlplug kit. Suitable for vessels up to 24L only.

**Automatic filling valve**



Description	Pcs/Pack	Code	Unit Price £
½" without pressure gauge	1	00200514	46.89
½" with pressure gauge	1	00200614	53.17

Simple pressure reducer with built-in single check, isolator and gauge port. Used in conjunction with a sealed system kit to reach the required sealed system pressure automatically. When fitted with a type CA WRAS approved backflow device, can be left permanently connected. This ensures a maintained set system pressure.

**In-Line Deaerators**

**In-Line Deaerators**



Description	Pcs/Pack	Code	Unit Price £
½"	1	00406000	101.00
¾"	1	00406010	110.20
1"	1	00406020	123.30
1 ¼"	1	00406030	137.60
1 ½"	1	00406040	160.40
2"	1	00406050	180.60

In-line deaerators, designed to help eliminate micro-bubbles from heating and cooling systems. Features include 3 stage filter, removable cartridge, bi-directional flow and automatic venting. Pressure rating 10 bar, max temperature 110°C

## Price List 2017

### Sicura Pressure Relief Valves

#### Sicura pressure relief valves



Description	Pressure	Pcs/Pack	Code	Unit Price £
1/2" F-F	3 bar	1	00205030	4.00
1/2" M-F	3 bar	1	00206030	4.03
1/2" F-F	6 bar	1	00205060	4.00
1/2" M-F	6 bar	1	00206060	4.00
3/4" F-F	3 bar	1	00202334	12.99
3/4" F-F	6 bar	1	00202634	12.99

#### Sicura pressure relief valves with special pressure settings



Description	Pressure	Pcs/Pack	Code	Unit Price £
1/2" F-F	1.5 bar	1	00205015	3.84
1/2" F-F	1.8 bar	1	00205018	3.92
1/2" F-F	2 bar	1	00205020	4.00
1/2" M-F	2 bar	1	00206020	4.00
1/2" F-F	2.5 bar	1	00205025	4.00
1/2" F-F	4 bar	1	00205035	4.07
1/2" M-F	4 bar	1	00206040	4.11

#### Sicura pressure relief valves with gauge fitting 1/4"



Description	Pressure	Pcs/Pack	Code	Unit Price £
1/2" F-F	3 bar	1	00206080	4.33
1/2" F-F	6 bar	1	00206082	4.33
1/2" M-F	3 bar	1	00206090	4.48
1/2" M-F	6 bar	1	00206092	4.48

#### Sicura pressure relief valves with pressure gauge



Description	Pressure	Pcs/Pack	Code	Unit Price £
1/2" F-F	3 bar	1	00206100	9.23

With gauge point 1/4" and 50mm pressure gauge 0-4 bar.

### Manual & Automatic Air Vents

#### Tecno-Varia with dual venting facility



Description	Pcs/Pack	Code	Unit Price £
1/2" standard	1	00400004	5.46
3/8" reduced + bb*	1	00400000	4.87
3/8" standard + bb*	1	00400002	5.38

\* bubble-breaker.

With both manual and automatic venting, the manual cap on top allows manual venting for system commissioning.

#### Varia reduced with dual venting facility



Description	Pcs/Pack	Code	Unit Price £
3/8" + bb*	1	00400620	5.77

\* bubble-breaker.

**Manual & Automatic Air Vents** (continued)

**Varia standard with automatic bleed valve on top**



Description	Pcs/Pack	Code	Unit Price £
1/2"	1	00400660	6.28

**Varia maxi with automatic bleed valve on top**



Description	Pcs/Pack	Code	Unit Price £
3/4"	1	00400340	8.76

**Service check valve for Tecno-Varia and Varia**



Description	Pcs/Pack	Code	Unit Price £
3/8" M x 3/8" F	1	00402060	1.49
1/2" M x 3/8" F	1	00402080	1.78
1/2" M x 1/2" F	1	00402100	1.95

**Manual Bleed valve**



Size	Pcs/Pack	Code	Unit Price £
1/4"	1	00410007	0.94
3/8"	1	00410011	1.25
1/2"	1	00410012	1.65

**Manual Bleed valve and manual air vent**



Description	Pcs/Pack	Code	Unit Price £
3/8"	1	00410019	0.94
1/2"	1	00410021	0.94

**Key for operating bleed valves**



Description	Pcs/Pack	Code	Unit Price £
Manual bleed key	1	00408230	0.15

## Price List 2017

### Deck Plates

#### White rosette single



Description	Pcs/Pack	Code	Unit Price £
12mm	1	01220112	0.29
14mm	1	01220114	0.29
15mm	1	01220115	0.29
16mm	1	01220116	0.29
18 = 3/8"	1	01220118	0.29
22 = 1/2"	1	01220122	0.29
28 = 3/4"	1	01220126	0.57

### Strainers

#### Y-type strainer female brass, sandblasted, 40 mesh stainless steel, FBSP thread



Description	Pcs/Pack	Code	Unit Price £
1/2"	1	01005012	6.62
3/4"	1	01005034	10.90
1"	1	01005100	17.88
1 1/4"	1	01005114	23.84
1 1/2"	1	01005112	29.85
2"	1	01005200	49.45
2 1/2"	1	01005205	117.20

### Temperature & Pressure Gauges

#### Capillary thermometer



Description	Pcs/Pack	Code	Unit Price £
52mm	1	00622056	10.25

1m capillary, with 25mm bulb, of 6.5mm DIA. Temperature 0-120°C.

#### Pressure gauge with radial connection



Description	Pressure	Pcs/Pack	Code	Unit Price £
1/4" x 50mm	4 bar	1	00612452	5.82
1/4" x 50mm	6 bar	1	00616024	5.82
1/4" x 63mm	2.5 bar	1	00612003	6.34
1/4" x 63mm	4 bar	1	00612004	6.34
1/4" x 63mm	6 bar	1	00612006	6.34
1/4" x 63mm	10 bar	1	00612010	6.34
1/4" x 63mm	16 bar	1	00612016	6.34
1/4" x 63mm	25 bar	1	00612025	6.34
3/8" x 80mm	4 bar	1	00614004	12.53
3/8" x 80mm	6 bar	1	00614006	12.53
3/8" x 80mm	10 bar	1	00614010	12.53
3/8" x 80mm	16 bar	1	00614016	12.53
3/8" x 80mm	25 bar	1	00614025	12.53

#### Pressure gauge with axial connection



Description	Pressure	Pcs/Pack	Code	Unit Price £
1/4" x 50mm	4 bar	1	00616020	5.82
1/4" x 50mm	10 bar	1	00612442	5.82
1/4" x 63mm	4 bar	1	00616004	6.57
1/4" x 63mm	6 bar	1	00616006	6.57
1/4" x 63mm	10 bar	1	00616010	6.57

Casing in ABS plastic



**Thermometers & Pressure Gauges** (continued)

**Combined temperature and pressure gauge**



Description	Pcs/Pack	Code	Unit Price £
¼" M c/w ½" M check valve x 80mm			
Axial connection	1	00600012	17.04
Radial connection	1	00602012	24.17

Pressure 4 bar Temperature 120 °C

**Capillary combined temperature and pressure gauge**



Description	Pcs/Pack	Code	Unit Price £
52mm	1	00622052	19.28

Pressure 0 - 4 bar, temperature 0 - 120°C.  
Pressure outlet connection M14 x 1" M, see below for fitting, 1 metre capillary with 19mm bulb x 6.5mm DIA.

**Connector for capillary pressure reading**



Description	Pcs/Pack	Code	Unit Price £
M14 x 1" M	1	00600010	3.03

For use with combined temperature and pressure gauge. Includes single check valve.

**Temperature Gauge Pockets**

**Temperature gauge pocket**



Description	Pcs/Pack	Code	Unit Price £
Ø 7 L 50mm	1	00510682	5.01
Ø 9 L 50mm	1	00510012	3.03
Ø 10 L 50mm	1	00510684	5.25
Ø 10 L 100mm	1	00510686	7.19
Ø 15 L 110mm	1	00510688	6.34

Connection ½" M BSP.

**Boguard Electronic Corrosion Protection**

**Boguard Electronic Anode**



Description	Electrode Length (mm)	Code	Unit Price £
150-500 litre	380	02791200	147.10
750-1000 litre	430	02791205	147.90
1500-5000 litre	2 x 430	02791210	179.70

An electronic anode designed to protect lined hot water cylinders up to 5000 litres from corrosion. Available in three capacity versions as shown above. Code 02791210 supplied with 2 x 430mm anodes. ½" male threaded plug to connect anode to cylinder and 230V electronic controller with indicator lights to show the system status. Supplied with 1m anode cable.

**Boguard Extension Cable**



Description	Pcs/Pack	Code	Unit Price £
2m Extension Cable	1	92797550	3.14

2m M and F extension cable to allow Boguard controller to be mounted a greater distance from the cylinder.

## Price List 2017

### Ball Valves



#### Perfecta Light Pattern Brass Ball Valves

A range of light pattern ball valves with either lever or butterfly handle in sizes ½" to 2". Combinations of male - male, male - female, female - female, pipe unions on some units are also available.

Standard bore size, made of CW617N brass to EN12165, BSP threaded to ISO 228/1 (DIN 259), PN25 rated.



#### Evolution Heavy Pattern Brass Full Bore Ball Valves

A range of heavy pattern ball valves with either lever or butterfly handle, in sizes ¼" to 2" and 24x19. Combinations of male - male, male - female, female - female are available with pipe unions on some units. Angle ball valves also available.

Full bore size made of CW617N brass to EN12165, BSP female parallel threaded ISO7/1RP, male tapered thread ISO7/1R to DIN2999, PN20 to PN40 rated.



#### Spares

A range of spare butterfly and lever handles available to suit Emmeti ball valves.

## Perfecta Light Pattern Brass Ball Valves

Perfecta ball valves have a standard bore, sized from ½" to 2". They are made of CW617N brass, to EN12165, BSP threaded to ISO228/1 (DIN 259).

### Ball valve with female - female BSP connections, red aluminium lever handle



Description	Pcs/Pack	Code	Unit Price £
½" F	1	8363R004	4.50
¾" F	1	8363R005	6.14
1" F	1	8363R006	9.83
1¼" F	1	8363R007	15.54
1½" F	1	8363R008	24.79
2" F	1	8363R009	37.93

See extension kit for handle on page 124, used to raise handle away from body.

### Ball valve with female - male BSP connections, red aluminium lever handle



Description	Pcs/Pack	Code	Unit Price £
½" M x F	1	8364R004	4.84
¾" M x F	1	8364R005	6.44
1" M x F	1	8364R006	10.48
1¼" M x F	1	8364R007	16.26
1½" M x F	1	8364R008	26.09
2" M x F	1	8364R009	39.53

See extension kit for handle on page 124, used to raise handle away from body. 2" valve is pressure rated to PN16.

### Ball valve with female - BSP pipe union, red aluminium lever handle



Description	Pcs/Pack	Code	Unit Price £
½" F x MU	1	8372R004	7.43
¾" F x MU	1	8372R005	10.40
1" F x MU	1	8372R006	16.19
1¼" F x MU	1	8372R007	24.79

See extension kit for handle on page 124, used to raise handle away from body.

### Ball valve with female - female BSP connections, steel lever handle, with red plastic sleeve



Description	Pcs/Pack	Code	Unit Price £
½" F	1	8360R004	4.76
¾" F	1	8360R005	6.40
1" F	1	8360R006	10.29
1¼" F	1	8360R007	15.96
1½" F	1	8360R008	25.25
2" F	1	8360R009	38.38

See extension kit for handle on page 124, used to raise handle away from body.

### Ball valve with female - male BSP connections, steel lever handle, with red plastic sleeve



Description	Pcs/Pack	Code	Unit Price £
½" M x F	1	8361R004	5.11
¾" M x F	1	8361R005	6.71
1" M x F	1	8361R006	10.89
1¼" M x F	1	8361R007	16.68
1½" M x F	1	8361R008	26.54
2" M x F	1	8361R009	39.98

See extension kit for handle on page 124, used to raise handle away from body.

## Price List 2017

### Perfecta Light Pattern Brass Ball Valves

#### Straight Perfecta ball valve with female - female BSP connections



Description	Handle	Pcs/Pack	Code	Unit Price £
½" F - F	Red	1	8366R004	4.50
¾" F - F	Red	1	8366R005	6.17
1" F - F	Red	1	8366R006	9.87
1" F - F	Blue	1	8370R006	9.87
1¼" F - F	Red	1	8366R007	15.54

Aluminium butterfly handle. See extension kit for handle on page 124, used to raise handle away from body.

#### Straight Perfecta ball valve with female - male BSP connections



Description	Handle	Pcs/Pack	Code	Unit Price £
½" M - F	Red	1	8367R004	4.84
¾" M - F	Red	1	8367R005	6.44
1" M - F	Red	1	8367R006	10.51
1" M - F	Blue	1	8368R006	10.51
1¼" M - F	Red	1	8367R007	16.26

Aluminium butterfly handle. See extension kit for handle on page 124, used to raise handle away from body.

#### Straight Perfecta ball valve with female - male pipe union



Description	Handle	Pcs/Pack	Code	Unit Price £
½" F - MU	Red	1	8373R004	7.43
¾" F - MU	Red	1	8373R005	10.44
1" F - MU	Red	1	8373R006	16.19
1" F - MU	Blue	1	8374R006	16.22
1¼" F - MU	Red	1	8373R007	24.83

Aluminium butterfly handle. See extension kit for handle on page 124, used to raise handle away from body. Pipe union straight thread.

#### Pair straight Perfecta ball valves with pipe union, aluminium butterfly handle



Size	Pcs/Pack	Code	Pair Price £
1" F - MU	1	9721R006	36.74
1" F - MU c/w temperature gauges	1	9720R006	49.78

Boxed as a pair, with red and blue handles. Parallel thread pipe union with O-ring sealing faces.

## Evolution Heavy Pattern Brass Full Bore Ball Valves

Evolution ball valves are full bore, from ¼" to 2". Includes a range of elbow valves. They are made of CW617N brass, to EN12165, BSP female parallel threaded ISO7/1 Rp, and male tapered thread ISO7/1 R, both to DIN2999, pipe unions to ISO228/1 (DIN 259).

### Ball valve with female - female connections, aluminium lever handle



Description	Pcs/Pack	Code	Unit Price £
¼"	1	80001014	5.35
⅜"	1	80001038	4.93
½"	1	80001012	6.07
¾"	1	80001034	9.25
1"	1	80001100	14.94
1¼"	1	80001114	22.62
1½"	1	80001112	32.29
2"	1	80001200	53.47

See extension kit for handle on page 124, used to raise handle away from body.

### Ball valve with pipe union, aluminium lever handle



Description	Pcs/Pack	Code	Unit Price £
½"	1	80005013	9.21
¾"	1	80005035	13.58
1"	1	80005101	21.18
1¼"	1	80005115	31.19

See extension kit for handle on page 124, used to raise handle away from body.

### Ball valve with female - female connections, aluminium butterfly handle



Description	Pcs/Pack	Code	Unit Price £
¼"	1	80001015	5.39
⅜"	1	80001039	4.97
½"	1	80001013	6.11
¾"	1	80001035	9.25
1"	1	80001101	14.98
1¼"	1	80001115	22.66

See extension kit for handle on page 124, used to raise handle away from body.

### Ball valve with female - male connections, aluminum butterfly handle



Description	Pcs/Pack	Code	Unit Price £
¼"	1	80004015	5.48
⅜"	1	80004039	5.39
½"	1	80004013	6.33
¾"	1	80004035	9.24
1"	1	80004101	15.11
1¼"	1	80004115	23.30

See extension kit for handle on page 124, used to raise handle away from body.

### Ball valve with pipe union, aluminium butterfly handle



Description	Pcs/Pack	Code	Unit Price £
½"	1	80005012	9.21
¾"	1	80005034	13.58
1"	1	80005100	21.18
1¼"	1	80005114	31.23

See extension kit for handle on page 124, used to raise handle away from body.

## Price List 2017

### Evolution Heavy Pattern Brass Full Bore Ball Valves (continued)

Ball valve with female - female connections, steel lever handle with plastic sleeve



Description	Pcs/Pack	Code	Unit Price £
1/4"	1	80008014	5.44
3/8"	1	80008038	5.01
1/2"	1	80008012	6.41
3/4"	1	80008034	9.55
1"	1	80008100	15.53
1 1/4"	1	80008114	23.09
1 1/2"	1	80008112	32.80
2"	1	80008200	53.98

Ball valve with female - male connections, steel lever handle with plastic sleeve



Description	Pcs/Pack	Code	Unit Price £
1/4"	1	80008514	5.56
3/8"	1	80008538	5.48
1/2"	1	80008512	6.62
3/4"	1	80008534	9.72
1"	1	80008600	15.66
1 1/4"	1	80008614	23.72
1 1/2"	1	80008612	33.74
2"	1	80008700	56.14

Tapered thread.

Right angle ball valve with female - female connections, painted aluminium butterfly handle



Description	Pcs/Pack	Code	Unit Price £
1/2"	1	6770R104	8.41
3/4"	1	6770R105	11.55
1"	1	6770R106	18.50

See extension kit for handle on page 124, used to raise handle away from body.

Right angle ball valve with male - female connections, painted aluminium butterfly handle



Description	Pcs/Pack	Code	Unit Price £
1/2"	1	6771R104	8.28
3/4"	1	6771R105	11.50
1"	1	6771R106	18.80

See extension kit for handle on page 124, used to raise handle away from body.  
Tapered male thread.

Right angle ball angle valve with female - male connections, painted aluminium butterfly handle



Description	Pcs/Pack	Code	Unit Price £
1/2"	1	6772R104	8.45
3/4"	1	6772R105	11.59
1"	1	6772R106	18.76

See extension kit for handle on page 124, used to raise handle away from body.  
Tapered male thread.

Right angle ball angle valve with male - male connections, painted aluminium butterfly handle



Description	Pcs/Pack	Code	Unit Price £
1/2"	1	6773R104	8.32
3/4"	1	6773R105	11.55
1"	1	6773R106	19.06

See extension kit for handle on page 124, used to raise handle away from body.  
Tapered male thread.



## Evolution Heavy Pattern Brass Full Bore Ball Valves (continued)

Right angle ball valve with male pipe union - female connections, painted aluminium butterfly handle



Description	Pcs/Pack	Code	Unit Price £
½"	1	6774R076	10.91
¾"	1	6774R080	15.36
1"	1	6774R084	24.53

See extension kit for handle on page 124, used to raise handle away from body.

Right angle ball valve with male pipe union - male connections, painted aluminium butterfly handle



Description	Pcs/Pack	Code	Unit Price £
½"	1	6775R076	10.95
¾"	1	6775R080	15.41
1"	1	6775R084	24.83

See extension kit for handle on page 124, used to raise handle away from body.  
Tapered male thread

Right angle ball valve with female loose nut union - male connections, painted aluminium butterfly handle



Description	Pcs/Pack	Code	Unit Price £
½" M x ¾" R	1	6071R077	10.66
¾" M x 1" R	1	6071R081	14.60
1" M x 1¼" R	1	6071R085	23.26

See extension kit for handle on page 124, used to raise handle away from body.  
Tapered male thread

Nickel-plated balls valve for copper pipe BS 864, complete with nut and olive, red painted butterfly handle



Description	Pcs/Pack	Code	Unit Price £
15x15	1	6012R515	8.56
22x22	1	6012R522	11.45

Ball valve with male ends 24x19 for copper, MultiLayer, PEX, PP, and PB pipe, red painted butterfly handle



Description	Pcs/Pack	Code	Unit Price £
24x19	1	6010R518	5.52

For connectors up to DN20, go to section 9 Manifold Accessories.

Male 24x19 - female BSP nickel-plated, with red plastic-coated steel lever



Description	Pcs/Pack	Code	Unit Price £
¾" - 24x19	1	6013R955	5.67

For connectors up to DN20, go to section 9 Manifold Accessories.

Male 24x19 - female BSP, nickel-plated, with red painted aluminium butterfly handle



Description	Pcs/Pack	Code	Unit Price £
½" - 24x19	1	6014R954	5.23
¾" - 24x19	1	6014R955	5.60

For connectors up to DN20, go to section 9 Manifold Accessories.

## Price List 2017

### Evolution Heavy Pattern Brass Full Bore Ball Valves (continued)

Male 24x19 - male BSP, nickel-plated, with red painted aluminium butterfly handle



Description	Pcs/Pack	Code	Unit Price £
1/2" - 24x19	1	6018R954	5.42
3/4" - 24x19	1	6018R955	6.11

For connectors up to DN20, go to section 9 Manifold Accessories.

### Spares

Extension kit for handle



Description	Pcs/Pack	Code	Unit Price £
1°	1	09008701	1.14
2° (*)	1	09008702	1.61
3°	1	09008703	1.94
4°	1	09008704	2.65

(\*) Specify whether it is for M5 or M6 threaded valves in the order.

Extension kit compatibility by valve type

	1/2"	3/4"	1"	1 1/4"	1 1/2"	2"	2 1/2"	3"	4"
PERFECTA	1°	1°	2°	2°	3°	3°	-	-	-
EVOLUTION/ PROGRESS	1°	1°	2°	2°	3°	3°	4°	4°	4°

Aluminium red lever handle



Description	Type	Pcs/Pack	Code	Unit Price £
1/2" - 3/4"	Perfecta	1	09008961	0.46
1" - 1 1/4" "	Perfecta	1	09008962	0.59
1 1/2" - 2"	Perfecta	1	09008963	1.12
1/2" - 3/4"	Evolution / Progress	1	09008961	0.46
1" - 1 1/4" "	Evolution / Progress	1	09008962	0.59
1 1/2" - 2"	Evolution / Progress	1	09008963	1.12
2 1/2" - 3"	Evolution / Progress	1	09008212	3.57
4"	Evolution / Progress	1	09008300	3.99
3/8" - 1/2"	Lever Ball Taps	1	09008960	0.46
3/4" - 1/2"	Lever Ball Taps	1	09008961	0.46
3/8" - 1/2" - 3/4" - 1"	Lever Ball Taps	1	09008961	0.46

Aluminium blue lever handle



Description	Type	Pcs/Pack	Code	Unit Price £
1/4" - 3/8" - 1/2" - 3/4"	Perfecta / Evolution	1	09008801	0.50
1" - 1 1/4"	Perfecta / Evolution	1	09008802	0.63
1 1/2" - 2"	Perfecta / Evolution	1	09008803	1.12

Steel red lever handle



Description	Type	Pcs/Pack	Code	Unit Price £
1/2" - 3/4"	Perfecta	1	4315T004	0.54
1" - 1 1/4"	Perfecta	1	4315T006	0.70
1 1/2" - 2"	Perfecta	1	4315T008	1.15
1/4" - 3/8" - 1/2" - 3/4"	Evolution	1	4315T004	0.54
1" - 1 1/4"	Evolution	1	4315T006	0.70
1 1/2" - 2"	Evolution	1	4315T008	1.15

**Spares** (continued)

**Steel red lever handle**



Description	Type	Pcs/Pack	Code	Unit Price £
15 - 22	Evol Comp	1	09008670	0.45

**Aluminium red butterfly handle**



Description	Type	Pcs/Pack	Code	Unit Price £
1/2" - 3/4"	Perfecta	1	09008216	0.50
1" - 1 1/4"	Perfecta	1	09008226	0.63
3/8" - 1/2"	Lever Ball Taps	1	09008200	0.38
3/4" - 1"	Lever Ball Taps	1	09008216	0.50
3/8" - 1/2" - 3/4" - 1"	Lever Ball Taps	1	09008216	0.50

**Aluminium red butterfly handle**



Description	Type	Pcs/Pack	Code	Unit Price £
15 - 22	Evol Comp	1	09008255	0.54

**Aluminium blue butterfly handle**



Description	Type	Pcs/Pack	Code	Unit Price £
1/4" - 3/8" - 1/2" - 3/4"	Evolution	1	09008210	0.50
1" - 1 1/4"	Evolution	1	09008220	0.63

## Terms &amp; Conditions

**1. General**

- A. "The Company" means Emmeti UK Limited.
- B. All orders will be deemed to be binding under these terms and conditions.
- C. These terms may only be varied with the express written agreement of The Company.
- D. An order will be deemed to exist once the purchaser has accepted a quotation.
- E. A quotation is considered automatically to have been accepted immediately the purchaser takes delivery of all or part of the material.
- F. Minimum order value is £1000.00 from UK Warehouse.
- G. Minimum order value for direct shipment from factory gates is £5,000.00.
- H. A restocking charge of 10% of the value of the goods is to be applied for goods returned through no fault of Emmeti UK. A return reference number must be obtained from the Emmeti UK office. Returned goods cannot be accepted without return reference number - please contact us for authorisation.

**2. Pricing and description of goods**

- A. Prices are as quoted in The Company's catalogue and may be varied from time to time without notice.
- B. Prices do not include packing and delivery.
- C. Prices relate to the technical specification of the products described.
- D. The company reserves the right to amend prices at any time, including within the period of time between acceptance of the quotation by the purchaser and delivery.
- E. All price increases are considered accepted by the purchaser unless specific written notice is received by The Company.
- F. Data and information contained in The Company's brochures and advertising, shall be deemed to be approximate only unless confirmed in writing by The Company.
- G. The Company reserves the right to alter the specification of any goods without prior notice.

**3. Delivery and passing of title of any goods**

- A. Prices quoted are ex-works, packing and delivery are charged and shown separately.
- B. The Company cannot be held responsible or accept claims for consequential loss as a result of a failed delivery where the purchaser provided incorrect or insufficient delivery details or for reasons beyond our control, eg weather, vehicle breakdown etc
- C. The purchaser entrusts The Company to negotiate on his behalf and completely independently, transportation and other ancillary services and the procedures for their implementation, including insurance for shipping of goods.
- D. Delivery of the goods shall be deemed to take place when they are actually delivered to the purchaser or his representative at their respective premises.
- E. Risk as to loss and damage to the goods shall pass to the purchaser immediately after the goods have been delivered.
- F. The purchaser must inform The Company in writing of any shortages, defect or damage to the goods within 8 working days of delivery.
- G. The ownership of any goods shall remain with The Company until payment in full for all the goods has been received.
- H. Until such time as full payment for any goods has been received, The Company reserves the right to dispose of the goods.
- I. If at any time payment for any goods is overdue, The Company may enter upon the purchaser's premises by its servants or agents and recover and dispose of the goods and the purchaser shall make no claim against The Company in respect of such entry or disposal.
- J. The purchaser, may in the ordinary course of business, mix the goods with other objects or convert the goods into other objects whether by the process of manufacture or otherwise and whether or not such mixture or conversion renders the goods unidentifiable. In such case, the mixture or the converted goods as the case may be shall forthwith pass to The Company and remain with The Company from the moment of mixture or conversion until the purchaser has paid all sums whatsoever due to The Company.

**4. Payment**

- A. All prices are exclusive of Value Added Tax.
- B. Prices ruling at the time of despatch shall apply.
- C. Payment terms are strictly end of month following for approved credit customers otherwise payment in advance, by arrangement.
- D. The purchaser may not make any exceptions to delay payment.
- E. Failure to pay within the standard terms will lead to an interest charge on arrears of 1% per month plus bank charges.

**5. Warranty**

- A. In the case of goods manufactured by The Company, these are guaranteed free of manufacturing defect for 24 months from the date of delivery.
- B. During the warranty period, The Company shall replace or remedy any defects in the goods arising out of defective materials or workmanship, provided that the purchaser shall immediately give notice of such defects both verbally and in writing to The Company.
- C. The Company takes no liability or responsibility for accidental damage, incorrect installation or improper application outside the goods design capability.
- D. In the case of goods supplied by The Company, but not manufactured by it, The Company's liability shall be limited to such extent that it shall not be liable for any loss or damage beyond that for which The Company may be covered by the original manufacturer's guarantee.
- E. The Company reserves the right to accept returned goods when they are acknowledged by The Company as faulty within the terms of the warranty.
- F. Emmeti Installed Products - Field Problems - Reporting & Escalation Procedure - In the unlikely event you experience issues with products which have been installed within the warranty period, please contact our internal sales team in the first instance - 01993 824900. You will be issued with a unique reference number which must be quoted in all communication.

**6. Force majeure**

- A. The Company shall do all in its power to perform to the terms of any contract of which these conditions form part and in particular to meet all delivery dates but shall not be liable for any failure to observe or breach of any of the terms hereof by reason of acts of God, war, riots, civil commotion's, strikes, lock-outs, trade disputes, fires, breakdowns, interruptions of transport, governmental action, delay in delivery, by The Company's suppliers or any other cause whatsoever beyond its control.
- B. In such circumstances, where the goods are in transit, either The Company or the purchaser may terminate the unperformed part of any contract of which these conditions form part by notice in writing delivered to the other party hereto within 14 days of The Company giving written notice to the purchaser of the occurrence of such action or circumstances as makes The Company fail to observe or break the terms hereof.

**7. Cancellation**

- A. If the purchaser shall fail to make any payment when it becomes due or shall enter into any composition or arrangement with its creditors or if being an incorporated company it shall have a Receiver appointed or shall pass a resolution the winding up or a court shall make an order to that effect or if not being an incorporated company shall have a receiving order made against it or if there shall be any breach by the purchaser of any terms or conditions hereof, The Company may defer or cancel any further deliveries and treat the contract of which these conditions form part as determined but without prejudice to its rights to any unpaid purchase price for goods delivered and to damages for any loss suffered in consequence thereof.

**8. Operation of law**

These conditions shall be construed and the rights of the parties hereto shall be regulated by the Laws of England and Wales. Emmeti UK reserves the right to change products due to every technical or commercial need at any moment and without notice. Emmeti UK is the exclusive owner of the pictures, text contained in all Emmeti published documentation, any kind of duplication is forbidden unless written authorisation is released by Emmeti UK.



Respect the environment!

For a correct disposal, the different materials must be divided and collected according to the regulations in force.

Emmeti copyright

All rights are reserved. This publication nor any of its contents can be reproduced or publicised without Emmeti's written authorisation.

The data contained in this publication are subject to change at any time, for technical and commercial requirements.  
Emmeti are not responsible for eventual errors or inexactitudes

**EMMETI**  
**UK**

**Emmeti UK**

6 Tannery Yard  
Witney Street  
Burford  
Oxfordshire  
OX18 4DQ

T +44 (0) 1993 824900  
F +44 (0) 1993 824990  
W [www.emmeti.co.uk](http://www.emmeti.co.uk)  
E [sales@emmeti.co.uk](mailto:sales@emmeti.co.uk)



V1 02-16, 1000C