

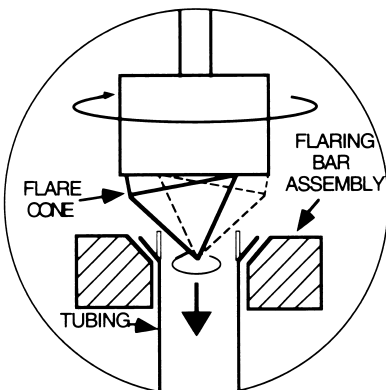
Model 458R Ratchet Flare Tool

Ridge Tool now offers the new 458R Ratcheting Flare Tool. The new ratcheting feed screw handle turns easily and requires less motion and effort than a standard handle. The eccentrically mounted hardened steel flaring cone produces a rolling action for even metal flow, giving uniform flare walls without galling. Flares steel, stainless steel, hard copper and brass tubing through a wall thickness of 0.035".



Features and Benefits

- **Easy to Use.** Ratcheting handle reduces effort required especially in confined areas
- **Quick Set-up.** Improves productivity
- **Durable.** Eccentrically mounted, hardened steel flaring cone
- **Smooth Flares.** Handle clutch releases when flare is complete to iron and smooth flare
- **Versatile.** Produces 45° flares in 8 sizes from 1/8" — 3/4"



Catalog No.	Model No.	Type	Sizes	Weight	
				lbs.	kg.
83037	458R	45° SAE Flares	1/8", 3/16", 1/4", 5/16", 3/8", 1/2", 5/8", 3/4"	3.9	1.77

Eccentrically Mounted Flare Cone

