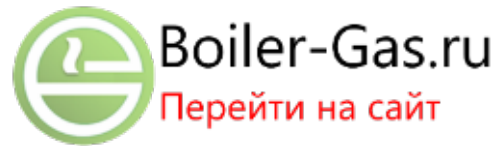
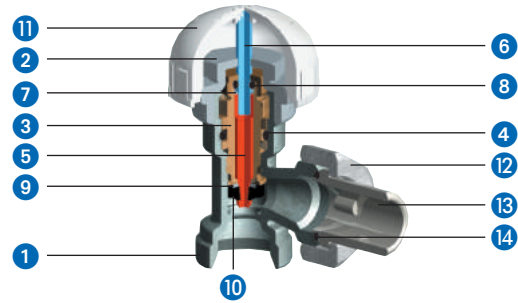




Poker thermostatic valve



Thermostatic valve construction

- 1 Valve body made of brass ST UNI EN 12165 CW617N with nickel finish
- 2 Collar in brass TN UNI EN 12164 CW614N with nickel finish
- 3 Shutter in brass TN UNI EN 12164 CW614N
- 4 O-ring for shutter steadying in NBR
- 5 Bolt in brass TN UNI EN 12164 CW614N
- 6 Spindle in stainless steel AISI 304
- 7 Collar for shutter in brass TN UNI EN 12164 CW614N with nickel finish
- 8 O-ring for rod steadying in EPDM
- 9 Washer of lock gasket in brass TN UNI EN 12164 CW614N
- 10 Shutter steadying in NBR
- 11 Cap in white ABS (RAL 9003)
- 12 Nut in brass ST UNI EN 12165 CW614N with nickel finish
- 13 Tang in brass TN UNI EN 12165 CW614N with nickel finish
- 14 O-ring for tang steadying in NBR

Technical data

Maximum operating pressure: 10 bar
 Maximum differential pressure: 6 bar
 Maximum operation temperature: +100 °C

Note: tang with radiator connection have NBR O-ring

Note: can be used in conjunction with Sensor thermostatic heads and thermo-electric heads

Poker thermostatic valves



Thermostatic right-angle valve for copper pipe, multi-layer, PEX, PP, PB

Size	Pcs. pack	Code
3/8"	10	01350340
1/2"	10	01350342
3/8" O-R	10	01350440
1/2" O-R	10	01350442

Emmeti seal 24x19



Thermostatic right-angle valve for steel pipe

Size	Pcs. pack	Code
3/8"	5	01350348
1/2"	5	01350350
3/8" O-R	5	01350448
1/2" O-R	5	01350450

Poker thermostatic valve



Thermostatic straight valve for copper pipe, multi-layer, PEX, PP, PB

Size	Pcs. pack	Code
3/8"	5	01350344
1/2"	5	01350346
3/8" O-R	5	01350444
1/2" O-R	5	01350446

Emmeti seal 24x19



Thermostatic straight valve for steel pipe

Size	Pcs. pack	Code
1/2"	5	01350354
1/2" O-R	5	01350454

Product CEN certified in according to UNI EN 215 in the following couplings



028



Valve	Code		Head	Code
Thermostatic	01350340	+	Head	01213040
Thermostatic	01350342	+	Head	01213040
Thermostatic	01350348	+	Head	01213040
Thermostatic	01350344	+	Head	01213040
Thermostatic	01350346	+	Head	01213040