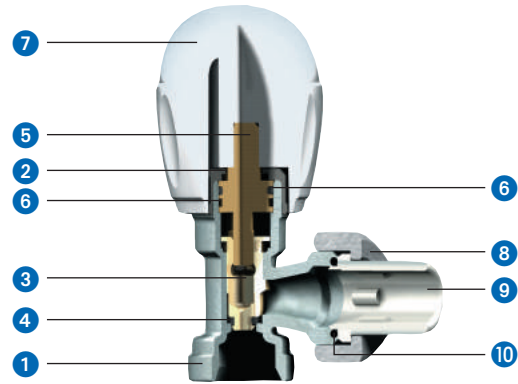




Poker manual valve



Valve construction

- 1 Valve body made of brass ST UNI EN 12165 CW617N with nickel finish
- 2 Collar in brass TN UNI EN 12164 CW614N with nickel finish
- 3 Shutter in brass TN UNI EN 12164 CW614N
- 4 O-ring for shutter steadying in NBR
- 5 Rod in brass TN UNI EN 12164 CW614N
- 6 O-ring for rod steadying in EPDM
- 7 Knob in white ABS RAL 9003
- 8 Nut in brass ST UNI EN 12165 CW617N with nickel finish
- 9 Tang in brass TN UNI EN 12164 CW614N with nickel finish
- 10 O-ring for tang steadying in NBR

Technical data

Maximum operating pressure 10 bar
 Maximum differential pressure 6 bar
 Maximum operation temperature +100 °C

Note: tang with radiator connection have NBR O-ring

Poker manually valves and lockshields



Manual right-angle valve for copper pipe, multi-layer, PEX, PP, PB

Size	Pcs. pack	Code
3/8"	10	01350300
1/2"	10	01350304
3/8" O-R	10	01350400
1/2" O-R	10	01350404

Emmeti seal 24x19



Manual straight valve for copper pipe, multi-layer, PEX, PP, PB

Size	Pcs. pack	Code
3/8"	5	01350308
1/2"	5	01350312
3/8" O-R	5	01350408
1/2" O-R	5	01350412

Emmeti seal 24x19

Poker manual valve



Manual right-angle lockshield for steel pipe

Size	Pcs. pack	Code
3/8"	5	01350316
1/2"	5	01350320
3/8" O-R	5	01350416
1/2" O-R	5	01350420



Manual straight valve for steel pipe

Size	Pcs. pack	Code
1/2"	5	01350328
1/2" O-R	5	01350428

