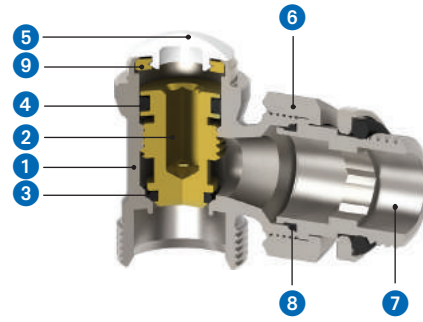


Right-angle Lockshields



Lockshield construction

- 1 Body made brass ST UNI EN 12165 CW617N with nickel finish
- 2 Shutter in brass TN UNI EN 12164 CW614N
- 3 O-ring for shutter steadying in EPDM
- 4 Bolt in brass TN UNI EN 12164 CW614N
- 5 O-ring for shutter steadying in EPDM
- 6 Knob in white ABS RAL 9003
- 7 Nut in brass ST UNI EN 12165 CW617N with nickel finish
- 8 Tail in brass TN UNI EN 12164 CW614N with nickel finish
- 9 O-ring for tang steadying in NBR

Technical data

Maximum operating pressure: 10 bar
 Maximum differential pressure: 6 bar
 Maximum operating pressure: +100 °C



Lockshields right-angle

Manual right-angle lockshield for copper pipe, multi-layer, PEX, PP, PB



Size	Thread (*)	Pcs. Pack	Code
3/8"	24x19	10	01350922
1/2"	24x19	10	01350702
3/8" O-R	24x19	10	01350926
1/2" O-R	24x19	10	01350706
3/4" O-R	3/4" Eurocone	5	01350612

Emmeti seals 24x19



Manual right-angle lockshield for steel pipe, connection 1/2"

Size	Pcs. pack	Code
3/8"	5	01350932
1/2"	5	01350722
3/8" O-R	5	01350936
1/2" O-R	5	01350726
3/4" O-R	5	01350616



Manual right-angle lockshield for multi-layer, connection G 1/2" M

Size	Thread (*)	Pcs. pack	Code
3/8"	G 1/2"	25	01350782
1/2"	G 1/2"	25	01350710
3/8" O-R	G 1/2"	25	01350786
1/2" O-R	G 1/2"	25	01350714

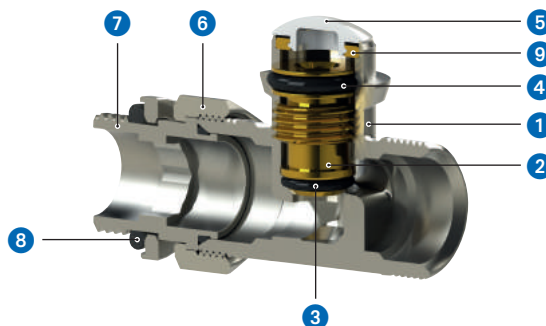
Emmeti seal G 1/2"



G 1/2" seal for multi-layer 16 x 2

Size	Pcs. pack	Code
16 x 2	10	28100310

Straight Lockshields



Lockshield construction

- 1 Body made brass ST UNI EN 12165 CW617N with nickel finish
- 2 Shutter in brass TN UNI EN 12164 CW614N
- 3 O-ring for shutter steadying in EPDM
- 4 Bolt in brass TN UNI EN 12164 CW614N
- 5 O-ring for shutter steadying in EPDM
- 6 Knob in white ABS RAL 9003
- 7 Nut in brass ST UNI EN 12165 CW617N with nickel finish
- 8 Tail in brass TN UNI EN 12164 CW614N with nickel finish
- 9 O-ring for tang steadying in NBR

Technical data

Maximum operating pressure: 10 bar
 Maximum differential pressure: 6 bar
 Maximum operating pressure: +100 °C



Lockshields straight



Manual straight lockshield for copper pipe, multi-layer, PEX, PP, PB

Size	Thread (*)	Pcs. Pack	Code
1/2"	24x19	5	01350852
1/2" O-R	24x19	5	01350856
3/8"	24x19	5	01350962
3/8" O-R	24x19	5	01350966

Emmeti seal 24x19



Manual straight lockshield for steel pipe

Size	Pcs. Pack	Code
1/2"	5	01350872
1/2" O-R	5	01350876



Manual straight lockshield for multi-layer, connection G 1/2" M

Size	Thread (*)	Pcs. pack	Code
1/2"	G 1/2"	25	01350862
1/2" O-R	G 1/2"	25	01350866

Emmeti seal G 1/2"



G 1/2" seal for multi-layer 16 x 2

Size	Pcs. pack	Code
16 x 2	10	28100310